

# INSTALLATION INSTRUCTIONS

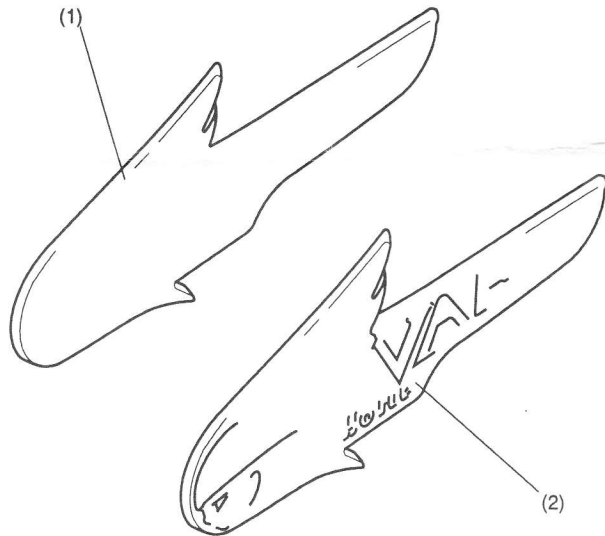
Accessory  
**GOLD TANK EMBLEM SET**  
 P/N 08F85-MBY-1A0

Application  
**GL 1500CF**

Publications No.  
 Issue Date  
**DEC 1998**

**Honda Dealer; Please give a copy of this instruction to your customer.**

## PARTS LIST



No.	Description	Q'ty
(1)	Right gold tank emblem	1
(2)	Left gold tank emblem	1

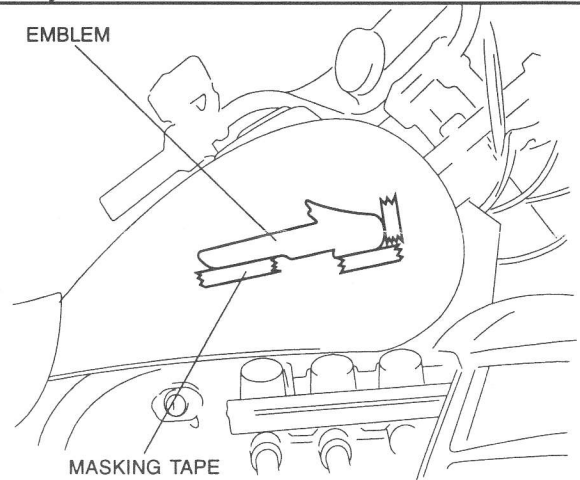
## TOOLS AND SUPPLIES REQUIRED

Isopropyl Alcohol  
 Masking Tape  
 Scissors  
 Shop towel  
 Dental Floss

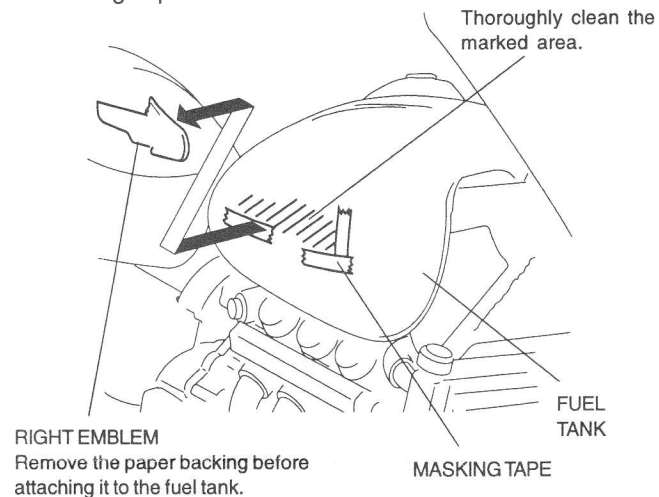
## INSTALLATION

### NOTE:

- The tank emblem should only be installed when the ambient air temperature is 70° F (21°C) or above.
  - To allow the adhesive to fully cure, do not wash the motorcycle for 24 hours.
1. Mark the tank emblem location by applying masking tape along the edges of the emblem as shown



2. Carefully remove the original emblems from the fuel tank by slipping a length of dental floss (or strong thread) under the edge of the emblem. Hold each end of the dental floss and use a sawing motion to remove emblem from the fuel tank.
3. Clean the area where the gold emblem will be attached using a 50/50 solution of isopropyl alcohol and water. Be careful not to remove the masking tape.



4. Remove the backing paper from the gold emblem and attach the emblem to the tank as marked by the masking tape.
5. Apply firm and steady pressure on the gold emblem to ensure good adhesion.
6. Repeat steps 1 through 5 to install the left gold tank emblem.