

HONDA

**HONDA**

**VALKYRIE**

**GL1500C '97 - '00**

**VALKYRIE TOURER**

**GL1500CT '97 - '00**

**PARTS MANUAL**

BEST VIEW 1024 BY 768 PIXELS

**CDS ORDER**

### HOW TO USE THIS CATALOG

This parts catalog is to be used when ordering replacement parts for the model (s) specified on the microfiche strip.

**CATALOG PAGE BREAKDOWN (Generic layout-sample data only)**

4= MODEL 5= MODEL 6= MODEL 7= MODEL		E-1							
④		Engine Serial Number							
Ref.	Description	MODEL-ID	From	To	AREA	ORG	QTY	Part Number	H/C
1	COVER SET, CYLINDER HEAD	4	15240057	—	AC	JPN	1	12310-PE2-020	2031797
	COVER SET, CYLINDER HEAD		—	12234811	A	USA	1	12310-PE2-030	2210888

**KEY TO CATALOG PAGE BREAKDOWN**

- Ref.** - Reference numbers correspond to the reference numbers on the illustrations. All illustrations are representative only and do not necessarily correspond exactly to the actual part. "NI" signifies the part is not illustrated.
- Description\*** - Describes the part for the related part number.  
**Abbreviations:**  
 ASSY. - Assembly V - Volt  
 COMPR - Complete W - Watt  
 L(100L) - Link(100Links) A.C. - Alternating Current  
 R. - Right D.C. - Direct Current  
 L. - Left KPH - Kilometers Per Hour  
 IN. - Inlet MPH - Miles Per Hour  
 EX. - Exhaust A.M. - Attaching Mark  
 FR. - Front T.M. - Transcribing Mark  
 RR. - Rear A - Ampere  
 HEX. - Hexagonal WL - With Labeling  
 STD. - Standard WOL - Without Labeling  
 MM - Millimeter T (22T) - Tooth  
 G - Gram C.D.I. - Capacitive Discharge Ignition
- MODEL-ID\*** - Model indicator code is unique per catalog (not consistent with other catalogs).
- Each catalog will be represented with applicable model indicators and models.
- Serial Number** - Applies to Engine or Frame serial numbers depending on the section. The serial numbers of the vehicle (frame, engine, carburetor) should be checked prior to ordering parts for a specific unit. In cases where a part has been modified, the serial number of the vehicle bearing the modification is listed in the 'SERIAL NUMBER' column. The modification parts are controlled by each pertinent serial number below.  
**Engine serial number** - Engine group parts (Block numbers beginning with 'E').  
**Carburetor identification number** - Carburetor component parts.  
**Frame serial number** - Frame group parts (Block numbers beginning with 'F').  
 A serial number chart and serial number locations are provided.  
**Note** - Some models may be controlled by one serial number only.
- AREA\*** - Applicable area code type is defined in the serial number chart.
- ORG\*** - Manufacturing origin of the unit.
- QTY** - Quantity required per unit as specified.  
 A. "AR" in place of the quantity indicates AS REQUIRED.  
 B. "( )" Parentheses in the quantity required indicate "optional".
- Part Number** - Part number corresponds to the reference number and application. Several part numbers may be listed under one (1) reference number. For your convenience the current supersede chain, as of print date, has been listed. Supersede chains are subject to change without notice.
- H/C** - The Honda Code and Part Number share a 1 to 1 relationship.






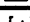
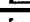
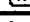










**MAKE-UP OF PART NUMBERS**  
 All parts are classified into two groups consisting of "GENERAL PARTS" and "STANDARD PARTS". All parts are numbered in accordance with the system described below:  
**General Parts**  
 Example: Driver Seat Assembly Part No. 77400-634-871ZA  
 Function No. 77  
 Component No. 400  
 Model Code No. -634-  
 Modification Process Design 871  
 Color Code\*\* ZA

**A. Additional Information** - The section index located at the bottom of each microfiche grid lists section titles. The Engine and Frame sections have separate section indexes.  
**Note:**  
 1. Rear view mirrors are standard equipment on all street legal models.  
 \*When columns become full, additional data is displayed on a second line.  
 \*\*The color code at the end of a part number indicates a color. Color codes such as ZA, ZB, ZC . . . , except ZZ, do not indicate the actual color. Actual colors are represented in code, between asterisks in the part description.

## SERIAL NUMBERS

### Models and applicable serial numbers

Models and applicable serial numbers given in this parts catalog can be identified as follows.

Model	Area Code	Engine Serial No.	Frame Serial No.	Carburetor Serial No.
GL1500C'97	A	SC34E-2000101~	1HFSC340*VA000001~	VPK0A 
GL1500C'97	AC	SC34E-2000101~	1HFSC341*VA000001~	VPK0B 
GL1500C'98	A	SC34E-2100101~	1HFSC340*WA100001~	VPK0J 
GL1500C'98	AC	SC34E-2100101~	1HFSC341*WA100001~	VPK0K 
GL1500C'99	A	SC34E-2200101~	1HFSC340*XA200001~	VPK0J 
GL1500C'99	AC	SC34E-2200101~	1HFSC341*XA200001~	VPK0K 
GL1500CT'97	A	SC34E-2000101~	1HFSC343*VA000001~	VPK0A 
GL1500CT'97	AC	SC34E-2000101~	1HFSC344*VA000001~	VPK0B 
GL1500CT'98	A	SC34E-2100101~	1HFSC343*WA100001~	VPK0J 
GL1500CT'98	AC	SC34E-2100101~	1HFSC344*WA100001~	VPK0K 
GL1500CT'99	A	SC34E-2200101~	1HFSC343*XA200001~	VPK0J 
GL1500CT'99	AC	SC34E-2200101~	1HFSC344*XA200001~	VPK0K 
GL1500C'00	A	SC34E-2300101~	1HFSC340*YA300001~	VPK0J 
GL1500C'00	AC	SC34E-2300101~	1HFSC341*YA300001~	VPK0K 
GL1500C'00	AC	SC34E-2300101~	1HFSC341*YA300001~	VPK0K 
GL1500CT'00	A	SC34E-2300101~	1HFSC343*YA300001~	VPK0J 
GL1500CT'00	AC	SC34E-2300101~	1HFSC344*YA300001~	VPK0K 
GL1500CT'00	AC	SC34E-2300101~	1HFSC344*YA300001~	VPK0K 

Catalog Title:

GL1500C/CT '97 - '00 VALKYRIE/VALKYRIE TOURER

### CONSTRUCTION OF VEHICLE IDENTIFICATION NUMBER (V.I.N.)

(Example)	<u>W.M.I.</u> J H 2	<u>V.D.S.</u> R C 0 4 0	*	<u>B</u>	<u>M</u>	<u>V.I.S.</u> 2 0 0 0 0 1	W.M.I. .... World manufacturer identifier V.D.S. .... Vehicle descriptor section V.I.S. .... Vehicle indicator section
-----------	------------------------	----------------------------	---	----------	----------	------------------------------	--

Sequential Production number

Plant representation

- A .... OHIO factory in U.S.A
- B .... AALST factory in BELGIUM
- C ... SAITAMA factory in JAPAN
- D ... GUADALAJARA factory in MEXICO
- E .... MONTESA factory in SPAIN
- F .... ATESSA factory in ITALY
- K .... KUMAMOTO factory in JAPAN
- M ... HAMAMATSU factory in JAPAN
- R ... MANAUS factory in BRAZIL
- S .... SUZUKA factory in JAPAN
- T .... TOCHIGI factory in JAPAN

Model year

(Example)  
B .. 1981 C ... 1982 D .... 1983 ..... X.. 1999  
<Except I.O.Q.U>

Check digit

This code is used to detect errors in the V.I.N. and consists of a single-digit number (0-9) or a letter "X". It has no direct bearing upon the V.D.S. and V.I.S.

Vehicle description code

(Example) RC040 .....CB750F NC030 ..... CB400T  
Refer to: SERIAL NUMBERS

Make and Type of vehicle

- JH2 .... HONDA, Motorcycle (Manufactured in JAPAN)
- 1HF ... HONDA, Motorcycle (Manufactured in U.S.A.)
- YC1 ... HONDA, Motorcycle (Manufactured in BELGIUM)
- 9C2 ... HONDA, Motorcycle (Manufactured in BRAZIL)
- 3H1 ... HONDA, Motorcycle (Manufactured in MEXICO)
- VTM ... HONDA, Motorcycle (Manufactured in SPAIN)
- ZDC ... HONDA, Motorcycle (Manufactured in ITALY)
- JH3 .... HONDA, All terrain vehicle (Manufactured in JAPAN)
- 478 .... HONDA, All terrain vehicle (Manufactured in U.S.A.)

Any change or modification of parts is directly related to the V.D.S. and V.I.S.  
A V.I.S. number will appear in the "Serial No." column of the Parts Catalog if a part is changed or modified.

**COMMENT:**

This example is generic and applies to 1981 and newer vehicles. 1980 models and prior are referred to as "FRAME NUMBERS" and the construction is designed by using the model designation or code followed by a sequential number.

## COLOR TABLES

### Color chart

- (WL) = Stripes and labels other than caution labels are included in parts whose part name end in (WL).
- (WOL) = Stripes and labels are not included in parts whose part name end in (WOL).

### COLOR CODE TABLE (Color descriptions omitted from the main text of the catalog)

GL1500C'97 (A) SC340\*VA000001 to subsequent  
 GL1500C'97 (AC) SC341\*VA000001 to subsequent

No.	Model		GL1500C'97						
	Color		American red R-191	Pearl majestic purple P-17A	Black NH-1	Black NH-1	Serial Number		Area Code
	Code		R191A	P17A	NH1Q	NH1	From	To	
	Name of colored parts	Basic part no.							
1	COVER, CENTER	83700-MZ0-000	ZD	ZA	ZC	ZC			
2	COVER, L. SIDE	83600-MZ0-000	ZD	ZA	ZC	ZC			
3	COVER, R. SIDE	83500-MZ0-000	ZD	ZA	ZC	ZC			
4	EMBLEM, L. FUEL TANK	17532-MZ0-670	ZA	ZA	ZA	ZA			
5	EMBLEM, R. FUEL TANK	17531-MZ0-670	ZA	ZA	ZA	ZA			
6	FENDER A SET, RR. (WL)	80110-MZ0-670	ZE	ZF	ZH	ZJ			
7	FENDER B SET, RR. (WL)	80210-MZ0-670	ZA	ZB	ZG	ZH			
8	FENDER SET, FR. (WL)	61110-MZ0-670	ZA	ZB	ZG	ZH			
9	LABEL, COLOR	87565-MZ0-670	ZA	ZB	ZC	ZD			
10	LABEL, FUEL	87586-MR6-670	ZA	ZA	ZA	ZA			
11	STRIPE, L. FR. FENDER	61112-MZ0-670	ZA	ZB	ZC	—			
12	STRIPE, L. FUEL TANK	17536-MZ0-670	ZA	ZB	ZC	—			
13	STRIPE, L. RR. FENDER A	80112-MZ0-670	ZA	ZB	ZC	—			
14	STRIPE, L. RR. FENDER B	80114-MZ0-670	ZA	ZB	ZC	—			
15	STRIPE, R. FR. FENDER	61111-MZ0-670	ZA	ZB	ZC	—			
16	STRIPE, R. FUEL TANK	17535-MZ0-670	ZA	ZB	ZC	—			
17	STRIPE, R. RR. FENDER A	80111-MZ0-670	ZA	ZB	ZC	—			
18	STRIPE, R. RR. FENDER B	80113-MZ0-670	ZA	ZB	ZC	—			
19	TANK SET, FUEL (WL)	17520-MZ0-670	ZF	ZC	ZG	ZH			

Catalog Title:

GL1500C/CT '97 - '00 VALKYRIE/VALKYRIE TOURER

## COLOR TABLES

GL1500CT97 (A) SC343\*VA000001 to subsequent

GL1500CT97 (AC) SC344\*VA000001 to subsequent

No.	Model		GL1500CT'97					
	Color		American red R-191	Pearl sonoma green G-159P	Black NH-1	Serial Number		Area Code
	Code		R191A	G159Q	NH1	From	To	
	Name of colored parts		Basic part no.					
1	COVER, CENTER	83700-MZ0-000	ZD	ZE	ZC			
2	COVER, L. SIDE	83600-MZ0-000	ZD	ZE	ZC			
3	COVER, R. SIDE	83500-MZ0-000	ZD	ZE	ZC			
4	EMBLEM, L. FUEL TANK	17532-MZ0-670	ZA	ZA	ZA			
5	EMBLEM, R. FUEL TANK	17531-MZ0-670	ZA	ZA	ZA			
6	FENDER A SET, RR. (WL)	80110-MZ0-700	ZA	ZH	ZG			
7	FENDER B SET, RR. (WL)	80210-MZ0-670	ZA	ZJ	ZH			
8	FENDER SET, FR. (WL)	61110-MZ0-670	ZA	ZJ	ZH			
9	LABEL, COLOR	87565-MZ0-670	ZA	ZB	ZC			
10	LABEL, FUEL	87586-MR6-870	ZA	ZA	ZA			
11	LID, L. SADDLEBAG	81240-MZ0-700	ZD	ZE	ZC			
12	LID, R. SADDLEBAG	81230-MZ0-700	ZD	ZF	ZC			
13	SADDLEBAG SET, L. (WL)	81424-MZ0-700	ZH	ZG	ZF			
14	SADDLEBAG SET, R. (WL)	81224-MZ0-700	ZH	ZJ	ZF			
15	STRIPE A, L. SADDLEBAG BODY	87118-MZ0-700	ZA	ZC	—			
16	STRIPE A, R. SADDLEBAG BODY	87117-MZ0-700	ZA	ZC	—			
17	STRIPE, L. FR. FENDER	61112-MZ0-670	ZA	ZD	—			
18	STRIPE, L. FUEL TANK	17536-MZ0-670	ZA	ZD	—			
19	STRIPE, L. RR. FENDER A	80112-MZ0-670	ZA	ZD	—			
20	STRIPE, L. RR. FENDER B	80114-MZ0-670	ZA	ZD	—			
21	STRIPE, R. FR. FENDER	61111-MZ0-670	ZA	ZD	—			
22	STRIPE, R. FUEL TANK	17535-MZ0-670	ZA	ZD	—			
23	STRIPE, R. RR. FENDER A	80111-MZ0-670	ZA	ZD	—			
24	STRIPE, R. RR. FENDER B	80113-MZ0-670	ZA	ZD	—			
25	TANK SET, FUEL (WL)	17520-MZ0-670	ZF	ZJ	ZH			

## GL1500C/CT '97 - '00 VALKYRIE/VALKYRIE TOURER

## COLOR TABLES

GL1500C'98 (A) SC340\*WA100001 to subsequent

GL1500C'98 (AC) SC341\*WA100001 to subsequent

No.	Model		GL1500C'98						
	Color		Black NH-1	Pearl sedona red R-223P	Pearl coronado blue PB255Q	Blaze yellow Y-146	Serial Number		Area Code
	Code		NH1	R223Q	PB255Q	Y146Q	From	To	
	Name of colored parts	Basic part no.							
1	COVER, CENTER	83700-MZ0-000	ZC	ZH	ZG	ZJ			
2	COVER, L. SIDE	83600-MZ0-000	ZC	ZH	ZG	ZJ			
3	COVER, R. SIDE	83500-MZ0-000	ZC	ZG	ZF	ZH			
4	EMBLEM, L. FUEL TANK	17532-MZ0-870	ZA	ZA	ZA	ZA			
5	EMBLEM, R. FUEL TANK	17531-MZ0-870	ZA	ZA	ZA	ZA			
6	FENDER A SET, RR. (WL)	80110-MZ0-A00	ZA	ZB	ZC	ZD			
7	FENDER B SET, RR. (WL)	80210-MZ0-A00	ZG	ZB	ZC	ZD			
8	FENDER SET, FR. (WL)	61110-MZ0-A00	ZA	ZB	ZC	ZD			
9	LABEL, COLOR	87565-MZ0-A00	ZD	ZE	ZF	ZG			
10	STRIPE, L. FR. FENDER	61112-MZ0-A00	—	ZA	ZB	ZC			
11	STRIPE, L. FUEL TANK	17536-MZ0-A00	—	ZA	ZB	ZC			
12	STRIPE, L. RR. FENDER A	80112-MZ0-A00	—	ZA	ZB	ZC			
13	STRIPE, L. RR. FENDER B	80114-MZ0-A00	—	ZA	ZB	ZC			
14	STRIPE, R. FR. FENDER	61111-MZ0-A00	—	ZA	ZB	ZC			
15	STRIPE, R. FUEL TANK	17535-MZ0-A00	—	ZA	ZB	ZC			
16	STRIPE, R. RR. FENDER A	80111-MZ0-A00	—	ZA	ZB	ZC			
17	STRIPE, R. RR. FENDER B	80113-MZ0-A00	—	ZB	ZC	ZD			
18	TANK SET, FUEL (WL)	17520-MZ0-A00	ZA	ZB	ZC	ZD			

Catalog Title:

GL1500CT '97 - '00 VALKYRIE/VALKYRIE TOURER

## COLOR TABLES

GL1500CT'98 (A) SC343\*WA100001 to subsequent

GL1500CT'98 (AC) SC344\*WA100001 to subsequent

No.	Model		GL1500CT'98					Area Code
	Color		Black NH-1	Pearl sedona red R-223P	Black NH-1	Serial Number		
	Code					NH1	R223Q	
	Name of colored parts	Basic part no.						
1	COVER, CENTER	83700-MZ0-000	ZC	ZH	ZC			
2	COVER, L SIDE	83600-MZ0-000	ZC	ZH	ZC			
3	COVER, R. SIDE	83500-MZ0-000	ZC	ZG	ZC			
4	EMBLEM, L. FUEL TANK	17532-MZ0-670	ZA	ZA	ZA			
5	EMBLEM, R. FUEL TANK	17531-MZ0-670	ZA	ZA	ZA			
6	FENDER A SET, RR. (WL)	80110-MZ0-A20	ZA	ZB	ZE			
7	FENDER B SET, RR. (WL)	80210-MZ0-A00	ZG	ZB	ZE			
8	FENDER SET, FR. (WL)	61110-MZ0-A00	ZA	ZB	ZE			
9	LABEL, COLOR	87565-MZ0-A20	ZC	ZD	ZE			
10	LID, L. SADDLEBAG	81240-MZ0-700	ZC	ZG	ZC			
11	LID, R. SADDLEBAG	81230-MZ0-700	ZC	ZH	ZC			
12	SADDLEBAG SET, L. (WL)	81424-MZ0-A20	ZA	ZB	ZC			
13	SADDLEBAG SET, R. (WL)	81224-MZ0-A20	ZA	ZB	ZC			
14	STRIPE A, L. SADDLEBAG BODY	87118-MZ0-A20	—	ZA	ZD			
15	STRIPE A, R. SADDLEBAG BODY	87117-MZ0-A20	—	ZA	ZB			
16	STRIPE, L. FR. FENDER	61112-MZ0-A00	—	ZA	ZD			
17	STRIPE, L. FUEL TANK	17536-MZ0-A00	—	ZA	ZD			
18	STRIPE, L. RR. FENDER A	80112-MZ0-A00	—	ZA	ZD			
19	STRIPE, L. RR. FENDER B	80114-MZ0-A00	—	ZA	ZD			
20	STRIPE, R. FR. FENDER	61111-MZ0-A00	—	ZA	ZD			
21	STRIPE, R. FUEL TANK	17535-MZ0-A00	—	ZA	ZD			
22	STRIPE, R. RR. FENDER A	80111-MZ0-A00	—	ZA	ZD			
23	STRIPE, R. RR. FENDER B	80113-MZ0-A00	—	ZB	ZE			
24	TANK SET, FUEL (WL)	17520-MZ0-A00	ZA	ZB	ZE			

## GL1500C/CT '97 - '00 VALKYRIE/VALKYRIE TOURER

## COLOR TABLES

GL1500C'99 Valkyrie (A) SC340\*XA200001 to subsequent

GL1500C'99 Valkyrie (AC) SC341\*XA200001 to subsequent

No.	Model		GL1500C'99						
	Color		Black NH-1	Blaze yellow Y-146	Black NH-1	Black NH-1	Serial Number		Area Code
	Code		NH1	Y146Q	NH1E	NH10	From	To	
	Name of colored parts		Basic part no.						
1	COVER, CENTER	83700-MZ0-000	ZC	ZJ	ZG	ZC			
2	COVER, L. SIDE	83600-MZ0-000	ZC	ZJ	ZC	ZC			
3	COVER, R. SIDE	83500-MZ0-000	ZC	ZH	ZC	ZC			
4	EMBLEM, L. FUEL TANK	17532-MZ0-670	ZA	ZA	ZA	ZA			
5	EMBLEM, R. FUEL TANK	17531-MZ0-670	ZA	ZA	ZA	ZA			
6	FENDER A SET, RR. (WL)	80110-MZ0-A40	ZC	ZD	ZA	ZB			
7	FENDER B SET, RR. (WL)	80210-MZ0-A40	ZC	ZD	ZA	ZB			
8	FENDER SET, FR. (WL)	61110-MZ0-A40	ZJ	ZD	ZG	ZH			
9	LABEL, COLOR	87565-MZ0-A40	ZA	ZB	ZC	ZD			
10	STRIPE, L. FR. FENDER	61112-MZ0-A40	—	ZC	ZA	ZB			
11	STRIPE, L. FUEL TANK	17536-MZ0-A40	—	ZC	ZA	ZB			
12	STRIPE, L. RR. FENDER A	80112-MZ0-A40	—	ZC	ZA	ZB			
13	STRIPE, L. RR. FENDER B	80114-MZ0-A40	—	ZC	ZA	ZB			
14	STRIPE, R. FR. FENDER	61111-MZ0-A40	—	ZC	ZA	ZB			
15	STRIPE, R. FUEL TANK	17535-MZ0-A40	—	ZC	ZA	ZB			
16	STRIPE, R. RR. FENDER A	80111-MZ0-A40	—	ZC	ZA	ZB			
17	STRIPE, R. RR. FENDER B	80113-MZ0-A40	—	ZC	ZA	ZB			
18	TANK SET, FUEL (WL)	17520-MZ0-A40	ZC	ZD	ZA	ZB			

Catalog Title:

GL1500C/CT '97 - '00 VALKYRIE/VALKYRIE TOURER

## COLOR TABLES

GL1500CT'99 Valkyrie Tourer (A) SC343\*XA200001 to subsequent

GL1500CT'99 Valkyrie Tourer (AC) SC344\*XA200001 to subsequent

No.	Model		GL1500CT'99					
	Color		Black NH-1	Pearl sonoma red R-223P	Black NH-1	Serial Number		Area Code
	Code		NH1	R223Q	NH1E	From	To	
	Name of colored parts	Basic part no.						
1	COVER, CENTER	83700-MZ0-000	ZC	ZH	ZC			
2	COVER, L. SIDE	83600-MZ0-000	ZC	ZH	ZC			
3	COVER, R. SIDE	83500-MZ0-000	ZC	ZG	ZC			
4	EMBLEM, L. FUEL TANK	17532-MZ0-670	ZA	ZA	ZA			
5	EMBLEM, R. FUEL TANK	17531-MZ0-670	ZA	ZA	ZA			
6	FENDER A SET, RR. (WL)	80110-MZ0-A60	ZC	ZE	ZA			
7	FENDER B SET, RR. (WL)	80210-MZ0-A40	ZC	ZE	ZA			
8	FENDER SET, FR. (WL)	61110-MZ0-A40	ZJ	ZB	ZG			
9	LABEL, COLOR	87565-MZ0-A60	ZA	ZB	ZC			
10	LID, L. SADDLEBAG	81240-MZ0-700	ZC	ZG	ZC			
11	LID, R. SADDLEBAG	81230-MZ0-700	ZC	ZH	ZC			
12	SADDLEBAG SET, L. (WL)	81424-MZ0-A60	ZB	ZC	ZA			
13	SADDLEBAG SET, R. (WL)	81224-MZ0-A60	ZB	ZC	ZA			
14	STRIPE, L. FR. FENDER	61112-MZ0-A40	—	ZD	ZA			
15	STRIPE, L. FUEL TANK	17536-MZ0-A40	—	ZD	ZA			
16	STRIPE, L. RR. FENDER A	80112-MZ0-A40	—	ZD	ZA			
17	STRIPE, L. RR. FENDER B	80114-MZ0-A40	—	ZD	ZA			
18	STRIPE, L. SADDLEBAG BODY	87118-MZ0-A60	—	ZB	ZA			
19	STRIPE, R. FR. FENDER	61111-MZ0-A40	—	ZD	ZA			
20	STRIPE, R. FUEL TANK	17535-MZ0-A40	—	ZD	ZA			
21	STRIPE, R. RR. FENDER A	80111-MZ0-A40	—	ZD	ZA			
22	STRIPE, R. RR. FENDER B	80113-MZ0-A40	—	ZD	ZA			
23	STRIPE, R. SADDLEBAG BODY	87117-MZ0-A60	—	ZB	ZA			
24	TANK SET, FUEL (WL)	17520-MZ0-A40	ZC	ZE	ZA			

## GL1500C/CT '97 - '00 VALKYRIE/VALKYRIE TOURER

## COLOR TABLE

GL1500CT'00 2000					
No.	DESCRIPTION	COLOR CODE	NH1	NH1K	A R E A
		BASE COLOR	Black NH1	Black NH1	
		BASIC PART NO.			
1	COVER, CENTER	83700-MZ0-000	ZC	ZC	
2	COVER, L. SIDE	83600-MZ0-000	ZC	ZC	
3	COVER, R. SIDE	83500-MZ0-000	ZC	ZC	
4	FENDER SET A, RR.	80110-MZ0-A90	ZC	—	
5	FENDER SET A, RR. (WL)	80110-MZ0-A90	—	ZA	
6	FENDER SET B, RR. (WL)	80210-MZ0-A80	—	ZA	
7	FENDER SET, FR. (WL)	61110-MZ0-A40	ZJ	—	
8	FENDER SET, FR. (WL)	61110-MZ0-A80	—	ZA	
9	LABEL, COLOR	87565-MZ0-A90	ZC	ZD	
10	LID, L. SADDLEBAG	81240-MZ0-701	ZC	ZC	
11	LID, R. SADDLEBAG	81230-MZ0-701	ZC	ZC	
12	SADDLEBAG SET, L.	81424-MZ0-A90	ZB	—	
13	SADDLEBAG SET, L. (WL)	81424-MZ0-A90	—	ZA	
14	SADDLEBAG SET, R.	81224-MZ0-A90	ZB	—	
15	SADDLEBAG SET, R. (WL)	81224-MZ0-A90	—	ZA	
16	SET ILLUSTR, RR. FENDER B	80210-MZ0-A40	ZM	—	
17	STRIPE, L. FR. FENDER	61112-MZ0-A80	—	ZA	
18	STRIPE, L. FUEL TANK	17536-MZ0-A80	—	ZA	
19	STRIPE, L. RR. FENDER A	80112-MZ0-A80	—	ZA	
20	STRIPE, L. RR. FENDER B	80114-MZ0-A80	—	ZA	
21	STRIPE, L. SADDLEBAG BODY	87118-MZ0-A90	—	ZA	
22	STRIPE, R. FR. FENDER	61111-MZ0-A80	—	ZA	
23	STRIPE, R. FUEL TANK	17535-MZ0-A80	—	ZA	
24	STRIPE, R. RR. FENDER A	80111-MZ0-A80	—	ZA	
25	STRIPE, R. RR. FENDER B	80113-MZ0-A80	—	ZA	
26	STRIPE, R. SADDLEBAG BODY	87117-MZ0-A90	—	ZA	
27	TANK SET, FUEL (WL)	17520-MZ0-A80	ZC	ZA	

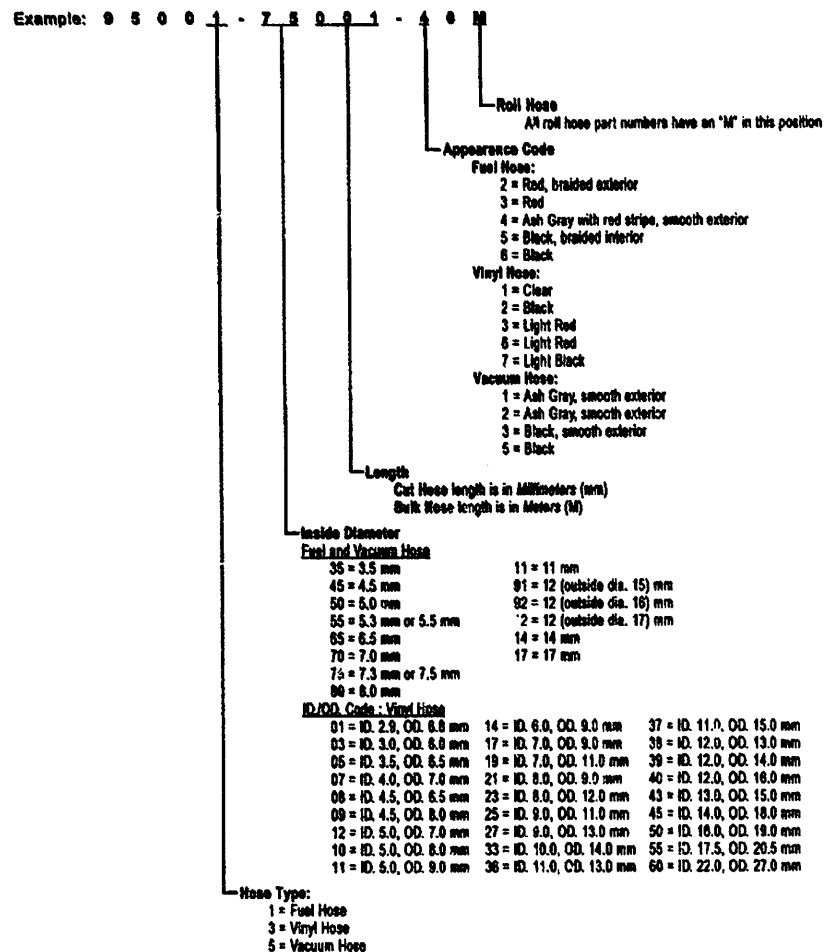
## COLOR TABLE

GL1500C'00 2000

No.	DESCRIPTION	COLOR CODE	NH1	NH1K	NH1Y	A R E A
		BASE COLOR	Black NH1	Black NH1	Black NH1	
		BASIC PART NO.				
1	COVER, CENTER	83700-MZ0-000	ZC	ZC	ZC	
2	COVER, L. SIDE	83600-MZ0-000	ZC	ZC	ZC	
3	COVER, R. SIDE	83500-MZ0-000	ZC	ZC	ZC	
4	FENDER A SET, RR. (WL)	80110-MZ0-A40	ZC	—	—	
5	FENDER SET A, RR. (WL)	80110-MZ0-A80	—	ZA	ZD	
6	FENDER SET B, RR. (WL)	80210-MZ0-A80	—	ZA	ZF	
7	FENDER SET, FR. (WL)	61110-MZ0-A40	ZJ	—	—	
8	FENDER SET, FR. (WL)	61110-MZ0-A80	—	ZA	ZF	
9	LABEL, COLOR	87565-MZ0-A80	ZC	ZA	ZB	
10	SET ILLUSTR., RR. FENDER B	80210-MZ0-A40	ZM	—	—	
11	STRIPE, L. FR. FENDER	61112-MZ0-A80	—	ZA	ZB	
12	STRIPE, L. FUEL TANK	17536-MZ0-A80	—	ZA	ZB	
13	STRIPE, L. RR. FENDER A	80112-MZ0-A80	—	ZA	ZB	
14	STRIPE, L. RR. FENDER B	80114-MZ0-A80	—	ZA	ZB	
15	STRIPE, R. FR. FENDER	61111-MZ0-A80	—	ZA	ZB	
16	STRIPE, R. FUEL TANK	17535-MZ0-A80	—	ZA	ZB	
17	STRIPE, R. RR. FENDER A	80111-MZ0-A80	—	ZA	ZB	
18	STRIPE, R. RR. FENDER B	80113-MZ0-A80	—	ZA	ZB	
19	TANK SET, FUEL (WL)	17520-MZ0-A80	ZC	ZA	ZF	

### BULK HOSE PART NUMBER PATTERN

#### Construction of Fuel and Vacuum Hose Part Number

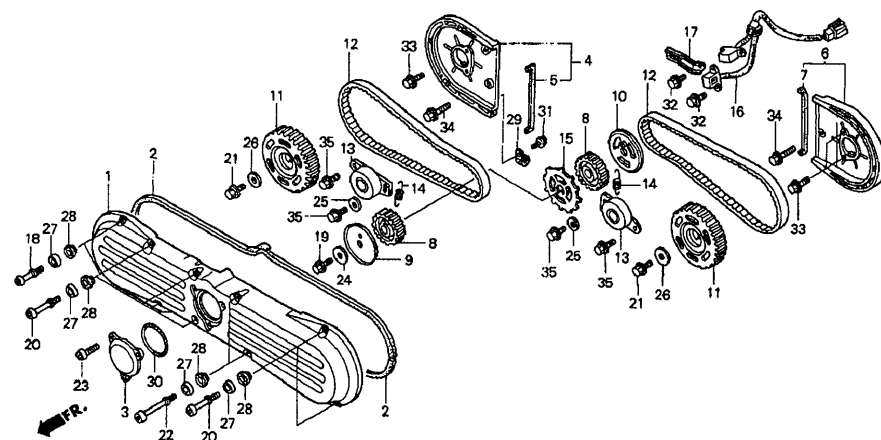


**CAUTION: Never use vacuum / or vinyl hose in place of fuel hose or vice versa**

Catalog Title:  
**GL1500C/CT '97 - '00 VALKYRIE/VALKYRIE TOURER**

Block No.  
**E 01**

Block Title:  
**FRONT COVER / TIMING BELT**



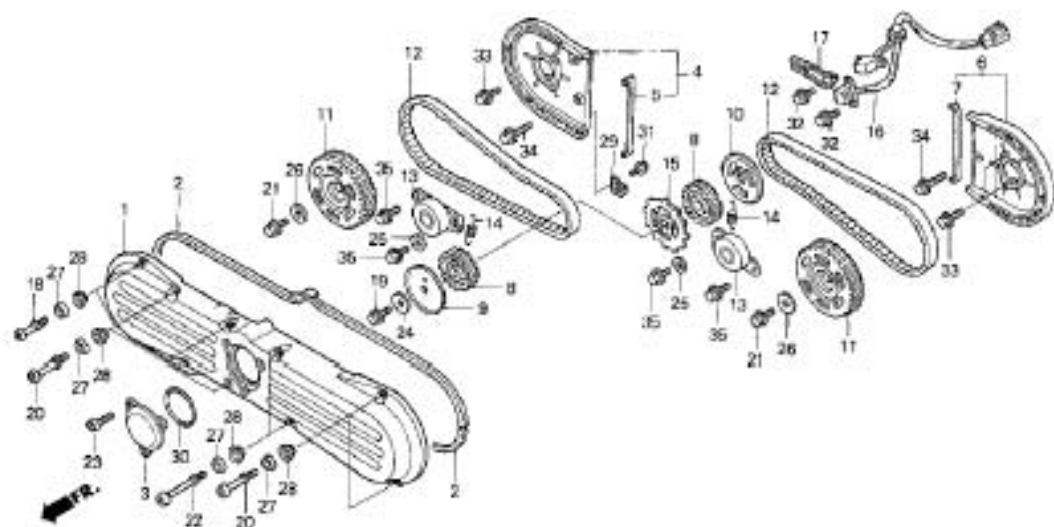
Ref. No.	Part No.	Description
1	11511-MZ0-000	COVER, FR.
2	11515-MZ0-000	GASKET, FR. COVER
3	11531-MZ0-000	COVER, TIMING
4	11540-MZ0-000	CVR, R. TIMING BELT
5	11542-MN5-300	GASKET, R.
6	11550-MZ0-000	CVR, L. TIMING BELT
7	11552-MN5-300	GASKET, L.
8	13621-MN5-003	PULLEY
8	13621-MZ0-760	PULLEY
9	13622-MT8-000	PLATE A
10	13623-MN5-000	PLATE
11	14210-MN5-000	PULLEY
12	14401-MN5-004	BELT, TIMING
13	14510-MG9-008	ADJUSTER
14	14516-MN5-000	SPRING
15	30291-MN5-000	ROTOR, PULSER
16	30300-MZ0-003	ALTERNATOR ASSY.
17	30305-MN5-000	CLAMP, PULSER WIRE
18	90004-MZ0-000	BOLT (6X17)
19	90005-MN5-000	BOLT, FLANGE (12X30)
20	90005-MZ0-000	BOLT (6X23)
21	90006-MN5-000	BOLT, FLANGE (8X20)
22	90006-MZ0-000	BOLT (6X47)
23	90007-MZ0-000	BOLT (6X18)
24	90402-MN5-000	WASHER (12X33X4)

Catalog Title:  
GL1500C/CT '97 - '00 VALKYRIE/VALKYRIE TOURER

Block No.  
E 01

Block Title:  
FRONT COVER / TIMING BELT

Ref. No.	Part No.	Description
25	90406-371-000	WASHER (8MM)
26	90435-611-000	WASHER (28X8.5X4.0)
27	90541-MZ0-000	WASHER
28	90542-MZ0-000	RUBBER, MOUNTING
29	90601-KJ9-000	CLIP (4X50)
30	91301-107-000	O-RING (75X2.5)
31	95701-06014-08	BOLT, FLANGE (6X14)
32	95701-06016-08	BOLT, FLANGE (6X16)
33	95701-06020-08	BOLT, FLANGE (6X20)
34	95701-06028-08	BOLT, FLANGE (6X28)
35	95701-06022-08	BOLT, FLANGE (8X22)

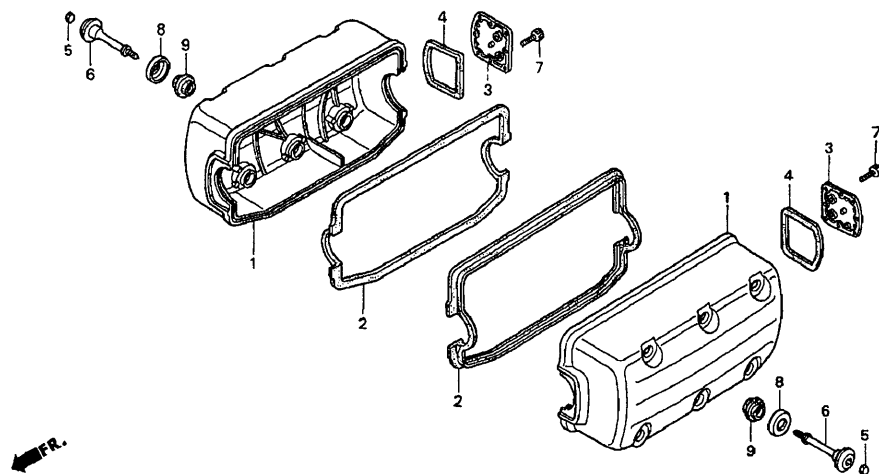


Catalog Title:  
**GL1500C/CT '97 - '00 VALKYRIE/VALKYRIE TOURER**

Block No.  
**E 02**

Block Title:  
**CYLINDER HEAD COVER**

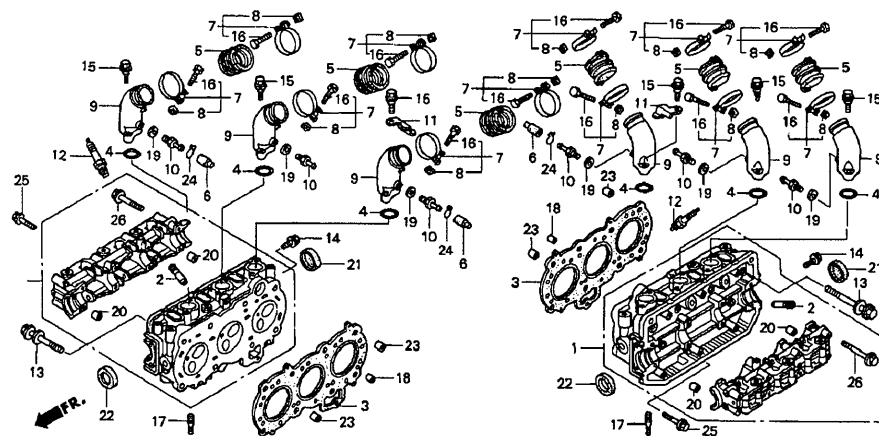
Ref. No.	Part No.	Description
1	12311-MZ0-000	COVER, CYLINDER HEAD
2	12314-MAF-000	GASKET, HEAD COVER
3	12317-MN5-000	COVER, RR. CYL HD
4	12318-MN5-000	GASKET, RR.
5	12392-MJ0-000	PLUG, HEX. (6MM)
6	90018-MZ0-000	BOLT, SPECIAL (6X64)
7	90040-MN5-000	SOCKET, BOLT (6X18)
8	90541-MB0-000	WASHER
9	90542-MB0-000	RUBBER, SETTING



Catalog Title:  
**GL1500C/CT '97 - '00 VALKYRIE/VALKYRIE TOURER**

Block No.  
**E 03**

Block Title:  
**CYLINDER HEAD**



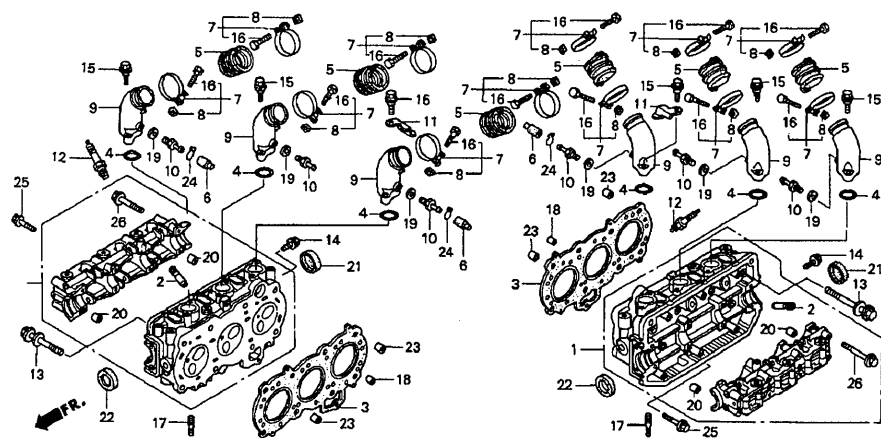
Ref. No.	Part No.	Description
1	12200-MZ0-010	CYLINDER HEAD '97 CT'97
1	12200-MZ0-A00	CYLINDER HEAD ASSY. '98'99'00 CT'98 CT'99 CT'00
2	12204-MN5-305	GUIDE, VALVE (OS)
3	12251-MN5-004	GASKET, CYL HD
3	12251-MN5-305	GASKET (0.75/1.00)
3	12251-MZ0-760	GASKET, CYL HD
4	16075-GHB-B70	O-RING (2.4X29)
5	16211-MZ0-000	INSULATOR
6	16215-MV4-000	CAP, BOOSTER
7	16218-MZ0-000	BAND, INSULATOR '97'98 CT'97 CT'98
7	16218-MZ0-A40	BAND, INSULATOR '99 '99 CT '99 CT'00
8	16222-MV4-300	NUT, SQUARE (5MM)
9	17110-MZ0-000	MANIFOLD, IN.
10	17113-MT2-000	JOINT
11	17115-MZ0-000	STAY, AIR FEED PIPE
12	31916-MZ0-760	SPARK PLUG (56)
12	31917-MZ0-760	SPARK PLUG (57)
12	31918-HM5-630	SPARK PLUG (58)
12	31918-MZ0-760	SPARK PLUG (58)
12	98069-56916	S/PLG (DPR6EA-9)
12	98069-57916	S/PLG (DPR7EA-9)
12	98069-58916	S/PLG (DPR8EA-9)
13	90010-MT8-003	BOLT, FLANGE (9X91)
14	90016-MN5-000	BOLT, FLANGE (6X14)
15	90022-MZ0-000	BOLT (6X26)

Catalog Title:  
**GL1500C/CT '97 - '00 VALKYRIE/VALKYRIE TOURER**

Block No.  
**E 03**

Block Title:  
**CYLINDER HEAD**

Ref. No.	Part No.	Description
16	90023-MM5-000	BOLT (5X28)
17	90035-MN5-000	BOLT, STUD (8/6X40)
18	90084-MN5-000	ORIFICE (2.0)
19	90452-323-000	WASHER (5MM)
20	90701-GB4-680	PIN, DOWEL (10X13.5)
21	91209-463-013	SEAL, CAP (43X9)
22	91209-371-003	OIL SEAL (27X43X9)
23	94301-12200	PIN, DOWEL (12X20)
24	95002-02070	CLIP, TUBE (B7)
25	95701-06040-08	BOLT, FLANGE (6X40)
26	95701-08080-00	BOLT, FLANGE (8X80)

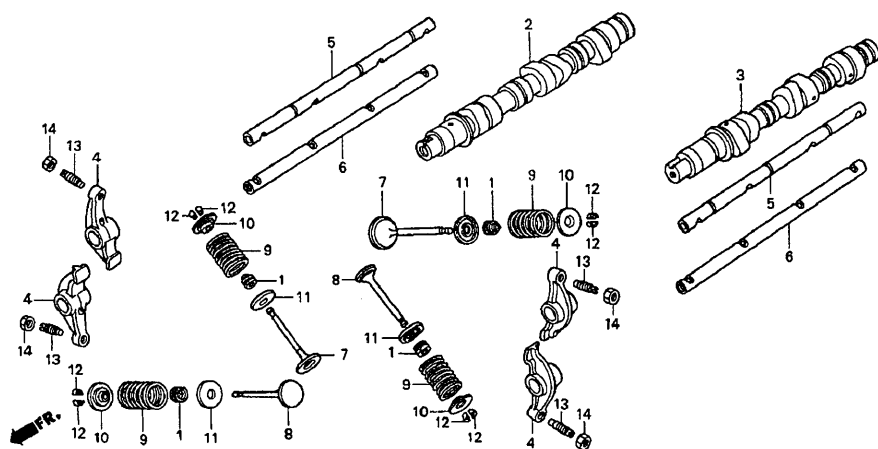


Catalog Title:  
**GL1500C/CT '97 - '00 VALKYRIE/VALKYRIE TOURER**

Block No.  
**E 04**

Block Title:  
**CAMSHAFT / VALVE**

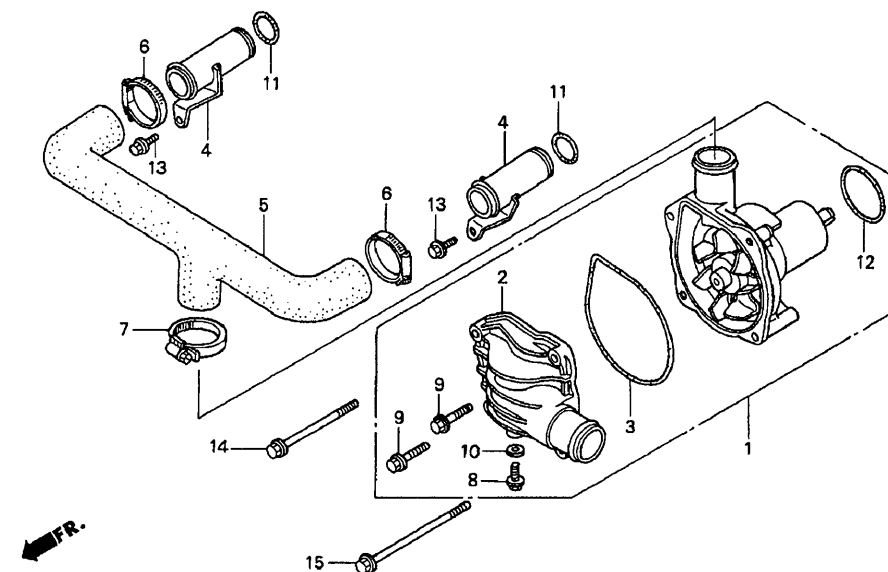
Ref. No.	Part No.	Description
1	12209-422-005	SEAL, VALVE STEM
2	14110-MZ0-670	CAMSHAFT, R.
2	14110-MZ0-770	CAMSHAFT, R.
3	14120-MZ0-670	CAMSHAFT, L.
3	14120-MZ0-770	CAMSHAFT, L.
4	14611-MZ0-000	ARM, VALVE ROCKER
5	14630-MN5-010	SHAFT
6	14640-MZ0-000	SHAFT
7	14711-MZ3-000	VALVE, IN.
8	14721-MZ3-000	VALVE, EX.
9	14761-MZ0-000	SPRING, VALVE
10	14771-MN5-000	RETAINER, VLV SPR
11	14775-MN5-000	SEAT, VALVE SPRING
12	14781-MB4-000	COTTER, VALVE
13	90012-414-000	SCREW, TAPPET ADJ.
14	90206-590-000	NUT, TAPPET ADJ.



Catalog Title:  
**GL1500C/CT '97 - '00 VALKYRIE/VALKYRIE TOURER**

Block No.  
**E 05**

Block Title:  
**WATER PUMP**



Ref. No.	Part No.	Description
1	19200-MZ0-000	WATER PUMP ASSY.
2	19221-MZ0-305	COVER, WATER PUMP
3	19226-MN5-000	GASKET
4	19411-MN5-000	PIPE, WATER INLET
5	19414-MN5-000	HOSE, WATER INLET
6	19503-MB1-870	CLAMP, WATER HOSE
7	19515-MJ4-670	CLAMP, WATER HOSE
8	90013-883-000	BOLT (6X12) (CT200)
9	90121-952-000	BOLT, FLANGE (6X25)
10	90463-ML7-000	WASHER (6.5MM)
11	91301-147-023	O-RING (18.3X2.3)
12	91302-MB0-013	O-RING (32.95X2.62)
13	95701-06014-08	BOLT, FLANGE (6X14)
14	95701-06060-08	BOLT, FLANGE (6X60)
15	95701-06095-08	BOLT, FLANGE (6X95)

Catalog Title:

**GL1500C/CT '97 - '00 VALKYRIE/VALKYRIE TOURER**

Block No.

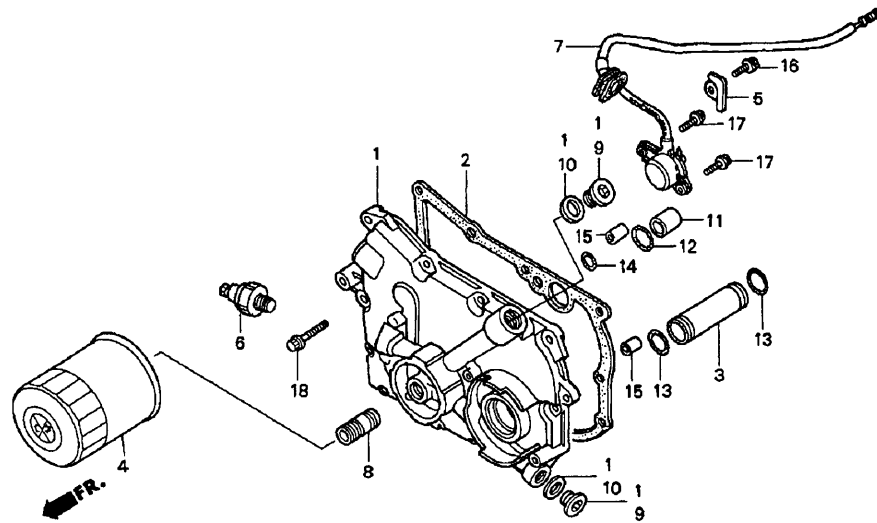
**E 06**

Block Title:

**TRANSMISSION COVER**

**Honda**

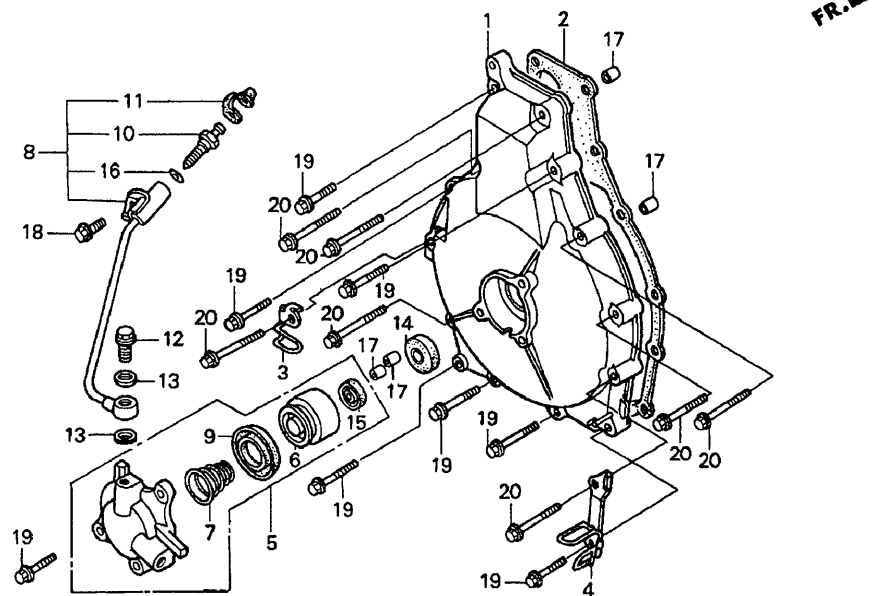
Ref. No.	Part No.	Description
1	11360-MZ0-000	COVER, TRANSMISSION
2	11391-MN5-650	GASKET, TRANS CVR
2	11391-MZ0-760	GASKET, TRANS CVR
3	15311-MN5-000	PIPE, OIL PATH
4	15410-MM9-013	FILTER, OIL
5	30411-MN5-000	CLAMP
6	35500-MJ4-024	SWITCH, OIL PRESSURE
7	35759-MZ0-003	SWITCH, NEUTRAL '97 CT'97
7	35759-MZ0-A01	SWITCH, NEUTRAL '98 '99 '00 CT'98 CT'99 CT'00
8	90019-MB0-000	BOSS, OIL FILTER
9	90048-MN5-000	BOLT, SEALING (20MM)
10	90441-MN5-000	WASHER (20MM)
11	90706-MN5-000	PIN, DOWEL (14X12)
12	91303-377-000	O-RING (13.8X2.5)
13	91301-MC7-003	O-RING (15.8X2.5)
13	91305-MN5-003	O-RING (15.9X2.4)
14	91315-MN5-004	O-RING (5.4X3.2)
15	94301-08140	PIN, DOWEL (8X14)
16	95701-06014-08	BOLT, FLANGE (6X14)
17	95701-06016-08	BOLT, FLANGE (6X16)
18	95701-06025-08	BOLT, FLANGE (6X25)



Catalog Title:  
**GL1500C/CT '97 - '00 VALKYRIE/VALKYRIE TOURER**

Block No.  
**E 07**

Block Title:  
**CLUTCH COVER**

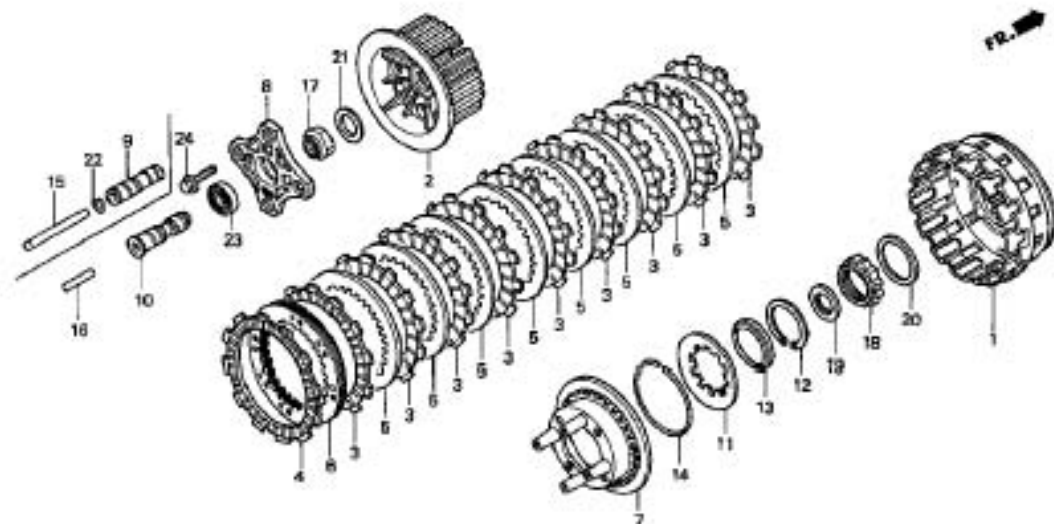


Ref. No.	Part No.	Description
1	11341-MN5-020	COVER, CLUTCH
2	11351-MN5-651	GASKET, CLUTCH COVER
3	11352-MZ0-000	CLAMP A, TUBE
4	11354-MZ0-000	CLAMP C, TUBE
5	22860-MZ0-000	CYLINDER, SLAVE
6	22863-MJ8-003	PISTON
7	22864-MB0-003	SPRING
8	22865-MZ0-000	PIPE ASSY., BLEEDER
9	22865-MJ8-003	CUP, PISTON
10	43352-MG9-006	SCREW, BLEEDER
11	43353-443-761	CAP, BLEEDER SCREW
12	90145-KM3-751	BOLT, OIL (10X22)
13	90545-300-000	WASHER, OIL BOLT
14	91204-MB0-013	OIL SEAL (8X25X8)
15	91209-MB0-003	OIL SEAL (8X18X5)
16	91355-MG9-006	O-RING (5.8X1.9)
17	94301-08140	PIN, DOWEL (8X14)
18	95701-06014-08	BOLT, FLANGE (6X14)
19	95701-06028-08	BOLT, FLANGE (6X28)
20	95701-06040-08	BOLT, FLANGE (6X40)

Catalog Title:  
GL1500C/CT '97 - '00 VALKYRIE/VALKYRIE TOURER

Block No.  
E 08

Block Title:  
CLUTCH

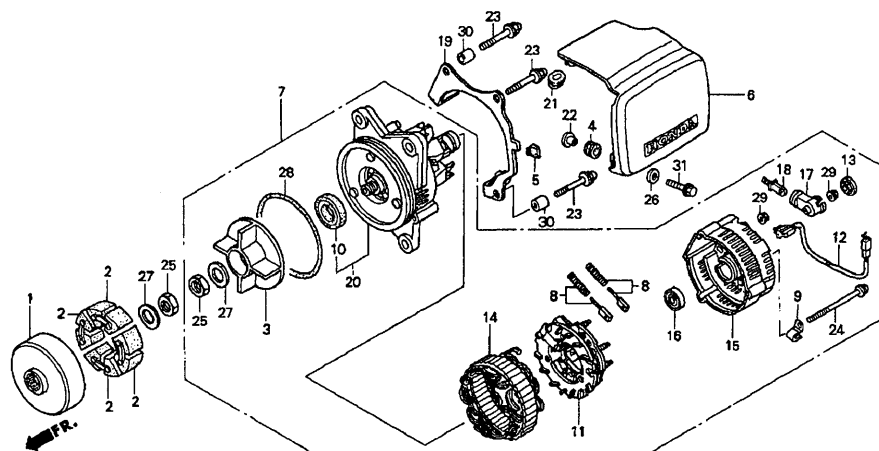


Ref. No.	Part No.	Description
1	22100-MT8-010	CLUTCH OUTER
2	22120-MZ0-000	CENTER, CLUTCH
3	22201-MZ0-000	DISK A, CL FRICTION
4	22202-MZ0-000	DISK B, CL FRICTION
5	22321-MN5-000	PLATE A, CLUTCH
6	22322-MZ0-000	PLATE B, CLUTCH
7	22350-MN5-000	PLATE (30T)
8	22361-MN5-000	PLATE, CLUTCH LIFTER
9	22366-MN5-000	PIECE, CLUTCH END '98 '99 '00 CT '97 CT'98 CT'99 CT'00
10	22366-MZ0-000	PIECE, CLUTCH END '97
11	22402-MN5-000	SPRING, CLUTCH
12	22422-MN5-000	RING
13	22423-MN5-000	SEAT, CLUTCH SPRING
14	22425-MN5-000	SEAT, CLUTCH SPRING
15	22851-MN5-010	ROD, CLUTCH LIFTER '98 '99 '00 CT '97 CT'98 CT'99 CT'00
16	22851-MZ0-000	ROD, CLUTCH LIFTER '97
17	90206-MZ0-000	NUT, HEX. (22MM)
18	90245-MN5-000	NUT, LOCK (40MM)
19	90403-MN5-000	WASHER (25MM)
20	90491-MN5-000	WASHER (40MM)
21	90498-MN5-000	WASHER (22.2X35.2.6)
22	90602-KE1-000	CLIP (10.6)
23	91008-MN5-003	BEARING (6201)
24	95701-06D18-08	BOLT, FLANGE (6X18)

Catalog Title:  
**GL1500C/CT '97 - '00 VALKYRIE/VALKYRIE TOURER**

Block No.  
**E 09**

Block Title:  
**ALTERNATOR**



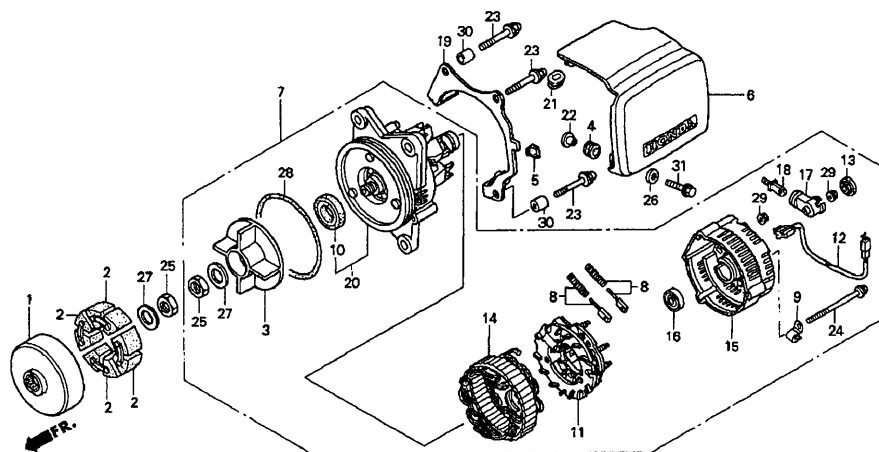
Ref. No.	Part No.	Description
1	13531-MT8-000	CONNECTOR, ALTNTR
2	13534-MN5-020	RUBBER
3	13541-MN5-000	CONNECTOR, ALTNTR
4	17622-GB7-900	RUBBER, CUSHION
5	18293-MN0-000	RUBBER, PROTECTOR
6	21333-MZ0-000	COVER, ALTERNATOR '97 CT '97
6	21333-MZ0-A00	COVER, ALTERNATOR
7	31100-MZ0-005	ALTERNATOR ASSY. '97 CT '97
7	31100-MZ0-015	ALTERNATOR ASSY.
8	31101-MN5-005	BRUSH, ALTERNATOR
9	31103-MN5-005	CLAMP
10	31104-MN5-005	OIL SEAL
11	31105-MN5-005	RECTIFIER, REGULATE
12	31108-MZ0-005	WIRE, ALTERNATOR
13	31109-MN5-005	CAP, TERMINAL
14	31110-MN5-005	CORE, STATOR
15	31112-MN5-005	COVER, RR. '97 '98 '99 CT '97 CT'98 CT'99
15	31112-MN5-015	COVER, RR. '00 CT '00
16	31113-MN5-005	BEARING, RR.
17	31114-MN5-005	HOUSING, OUTPUT
18	31115-MN5-005	TERMINAL, OUTPUT
19	31115-MZ0-000	STAY
20	31120-MT2-005	CORE, ROTOR '97 CT '97
20	31120-MT2-015	CORE, ROTOR
21	83551-300-000	GROMMET, A/CLNR HSG

Catalog Title:  
**GL1500C/CT '97 - '00 VALKYRIE/VALKYRIE TOURER**

Block No.  
**E 09**

Block Title:  
**ALTERNATOR**

Ref. No.	Part No.	Description
22	84706-163-670	COLLAR
23	90024-MZ0-000	BOLT (8X38)
24	90062-MN5-005	BOLT, ALTERNATOR
25	90204-MN5-000	NUT, HEX. (14MM)
26	90406-ZV5-000	WASHER (6MM)
27	90408-MN5-000	WASHER (14.2X23X2.6)
28	91320-MN5-003	O-RING (84.5X4)
29	94071-05080	NUT-WASHER (5MM)
30	94301-10160	PIN, DOWEL (10X16)
31	96001-06020-02	BOLT, FLANGE (6X20)



Catalog Title:

**GL1500C/CT '97 - '00 VALKYRIE/VALKYRIE TOURER**

Block No.

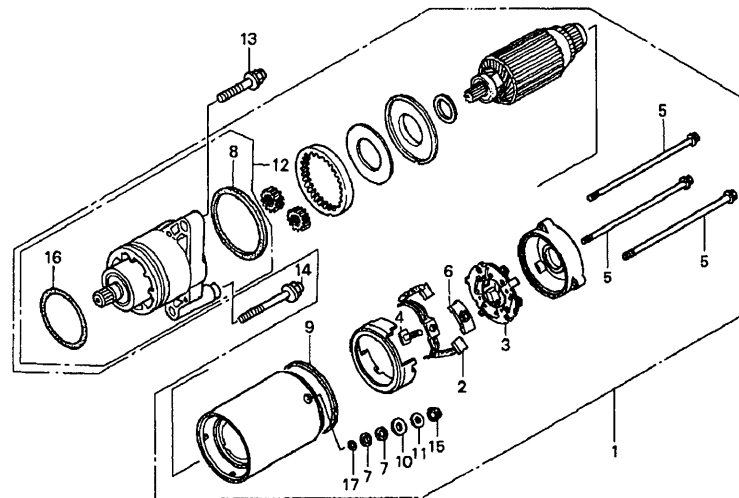
**E 10**

Block Title:

**STARTER MOTOR**

**Honda**

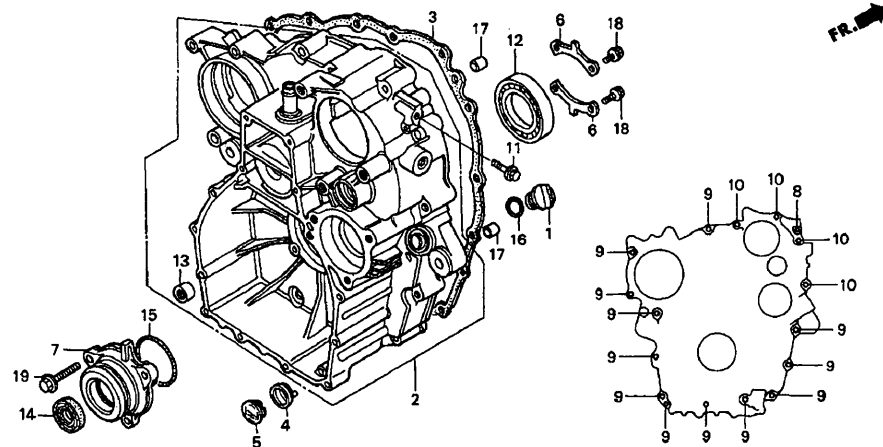
Ref. No.	Part No.	Description
1	31200-MZ0-003	MOTOR ASSY., STARTER
2	31201-MT8-008	BRUSH SET, TERMINAL
3	31203-MT8-008	HOLDER SET, BRUSH
4	31204-MN5-008	BOLT, TERMINAL
5	31205-MT8-008	BOLT, SETTING
6	31206-MN5-008	INSULATOR, TERMINAL
7	31207-MN5-008	WASHER, INSULATOR
8	31207-KS5-901	RING
9	31207-179-711	RING, SEAL
10	31208-MN5-008	WASHER, INSULATOR
11	31209-MN5-008	WASHER (6MM)
12	31210-MW5-871	GEAR ASSY.
13	90024-MZ0-000	BOLT (8X38)
14	90027-MZ0-000	
15	90071-MB0-000	NUT-WASHER (6MM)
16	91309-MN5-008	O-RING (59.6X2.4)
17	91320-MB0-000	O-RING



Catalog Title:  
**GL1500C/CT '97 - '00 VALKYRIE/VALKYRIE TOURER**

Block No.  
**E 11**

Block Title:  
**REAR CASE**

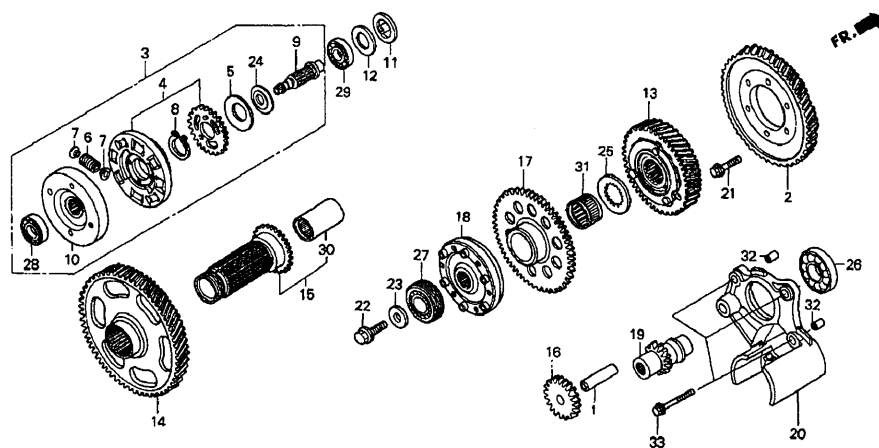


Ref. No.	Part No.	Description
1	15611-MB0-000	CAP, OIL FILLER
2		CASE, RR.
3	21112-MN5-650	GASKET, RR. CASE
3	21112-MZ0-760	GASKET, RR. CASE
4	21116-MT8-000	BODY
5	21117-MT8-000	CAP
6	21122-MN5-000	PLATE
7	23751-MN5-000	HOLDER
8	90016-MN5-000	BOLT, FLANGE (6X14)
9	90025-MZ0-000	BOLT (8X45)
10	90026-MZ0-000	BOLT (8X55)
11	90125-KR3-000	BOLT (8X12)
12	91002-MN5-003	BEARING (6010)
13	91024-MN5-003	BEARING (28X35X60)
14	91204-MN5-005	OIL SEAL (28X48X9)
15	91304-MN5-003	O-RING (63X3)
15	91316-PT6-003	O-RING (62.4X3.1)
16	91307-425-003	O-RING (22X3.0)
17	94301-10160	PIN, DOWEL (10X16)
18	95701-06016-08	BOLT, FLANGE (6X16)
19	95701-08028-02	BOLT, FLANGE (8X28)

Catalog Title:  
**GL1500C/CT '97 - '00 VALKYRIE/VALKYRIE TOURER**

Block No.  
**E 12**

Block Title:  
**PRIMARY DRIVE GEAR**



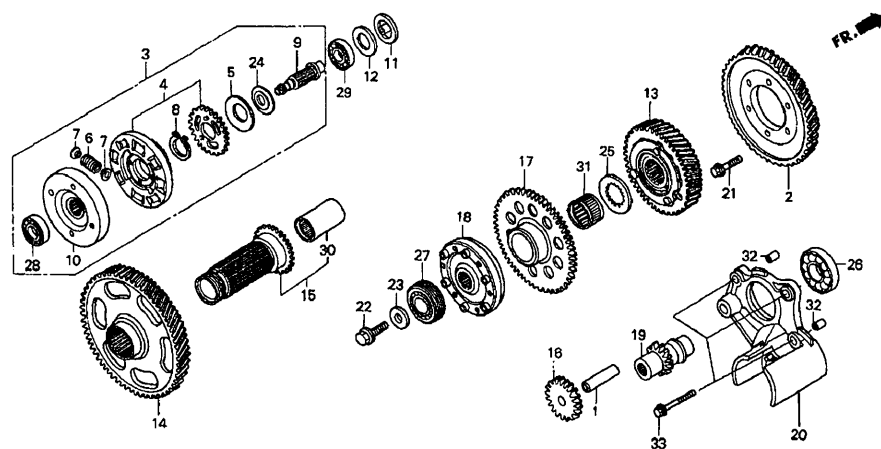
Ref. No.	Part No.	Description
1	13111-GK8-000	PIN, PISTON (10X33)
1	13111-GS7-000	PIN, PISTON
1	13111-122-000	PIN, PISTON (10X33)
2	13321-MZ0-000	GEAR (96T)
3	13430-MZ0-000	GEAR ASSY.
4	13434-M Z0-305	GEAR SET
5	13435-MZ0-300	SPRING
6	13436-MN5-004	SPRING
7	13438-MN5-310	SEAT, DAMPER SPRING
8	13439-MZ0-300	SPRING
9	13452-MN5-310	SHAFT
10	13456-MN5-320	FLYWHEEL, ALTERNATOR
11	13459-MT8-000	PLATE
12	13538-MT8-000	SPRING, THRUST
13	23110-MN5-010	GEAR (49T)
14	23121-MN5-000	GEAR (78T)
15	23130-MN5-000	BOSS
16	28106-MN5-010	GEAR (19T)
17	28110-MN5-000	GEAR (66T)
18	28125-MN5-014	CLUTCH OUTER
19	28141-MN5-000	GEAR (15T)
20	28151-MN5-300	HOLDER
21	90004-MN5-000	BOLT, UBS (8X20)
22	90005-MN5-000	BOLT, FLANGE (12X30)
23	90402-MN5-000	WASHER (12X33X4)

Catalog Title:  
**GL1500C/CT '97 - '00 VALKYRIE/VALKYRIE TOURER**

Block No.  
**E 12**

Block Title:  
**PRIMARY DRIVE GEAR**

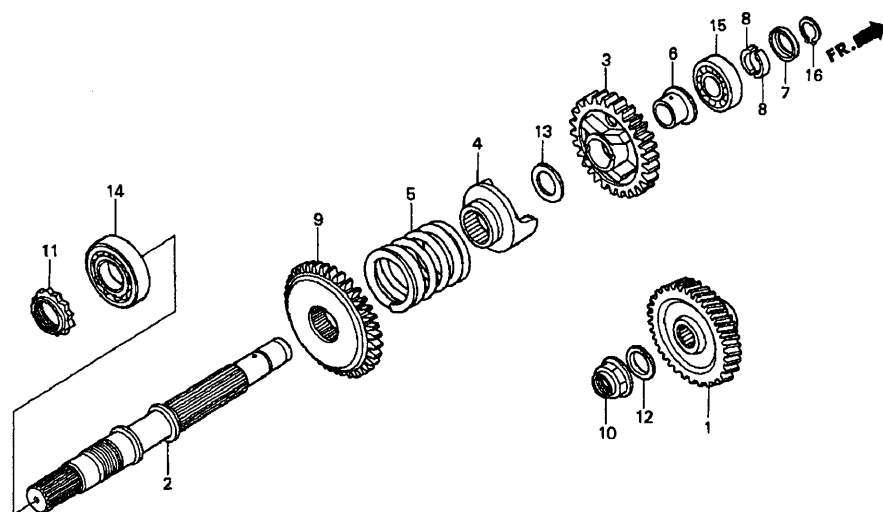
Ref. No.	Part No.	Description
24	90413-MN5-000	WASHER (19.7X40X2.6)
25	90493-MN5-000	WASHER (28MM)
26	91007-MN5-003	BEARING (6904)
27	91009-MN5-003	BEARING (6205)
28	91015-MN5-003	BEARING (6003)
29	91016-MN5-003	BEARING (6003U)
30	91024-MN5-003	BEARING (28X35X60)
31	91027-PC9-E01	BEARING (36X41X18.3)
32	94301-08140	PIN, DOWEL (8X14)
33	95701-06032-08	BOLT, FLANGE (6X32)



Catalog Title:  
**GL1500C/CT '97 - '00 VALKYRIE/VALKYRIE TOURER**

Block No.  
**E 13**

Block Title:  
**FINAL SHAFT**

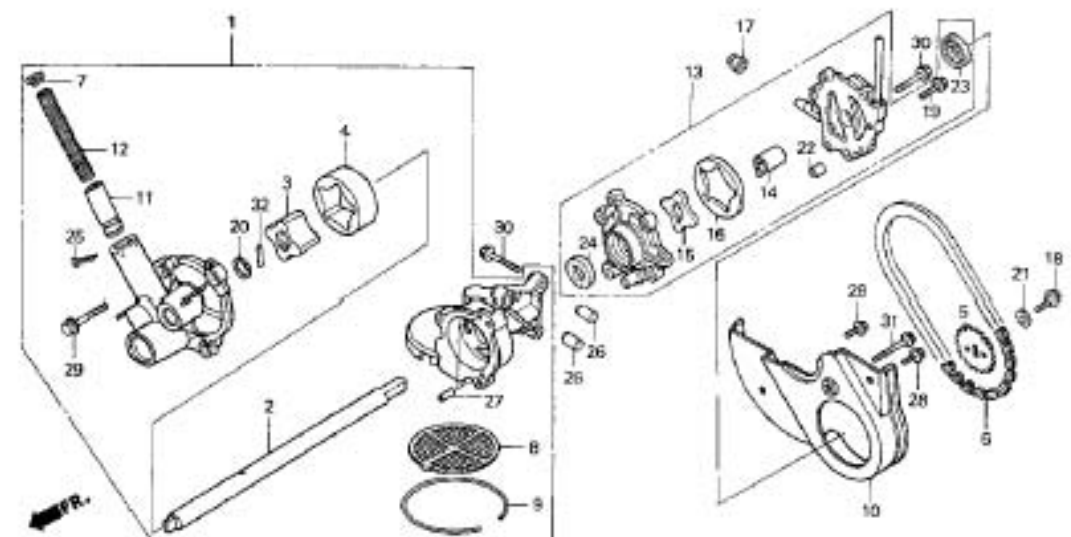


Ref. No.	Part No.	Description
1	23501-MZ0-000	GEAR (35T)
2	23511-MN5-000	SHAFT, FINAL GEAR
3	23521-MZ0-000	GEAR (34T)
4	23721-MN5-000	LIFTER, FINAL DAMPER
5	23732-MN5-000	SPRING, FINAL DAMPER
6	23733-MN5-000	COLLAR (22X26X27.6)
7	23741-MN5-000	RETAINER
8	23742-MN5-000	WASHER
9	28178-MN5-000	GEAR (45T)
10	90205-MN5-000	NUT, SPECIAL (22MM)
11	90241-MB0-000	NUT, LOCK (30MM)
12	90421-MN5-003	WASHER (22MM)
13	90498-MN5-000	WASHER (22.2X35.2.6)
14	91005-MN5-003	BEARING (22X52X15)
15	91006-MT3-003	BEARING (6206)
15	91011-MN5-003	BEARING (6206)
16	94510-22000	CIRCLIP (22MM)

Catalog Title:  
GL1500C/CT '97 - '00 VALKYRIE/VALKYRIE TOURER

Block No.  
E 14

Block Title:  
OIL PUMP



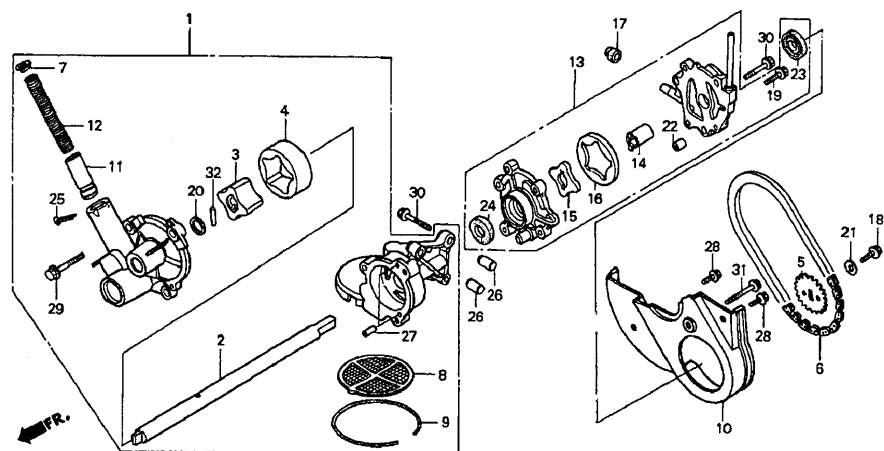
Ref. No.	Part No.	Description
1	15110-MN5-000	PUMP ASSY., OIL '97
1	15110-MN5-010	PUMP ASSY., OIL '97
1	15110-MN5-020	PUMP ASSY., OIL '97
1	15110-MN5-030	PUMP ASSY., OIL
2	15111-MN5-020	SHAFT, OIL PUMP
3	15124-MJ0-000	ROTOR (INNER)
4	15125-MJ0-000	ROTOR (OUTER)
5	15134-MN5-000	SPROCKET (24T)
6	15135-MN5-003	CHAIN (SC-0412HX54L)
7	15142-371-000	SEAT, RELIEF VALVE
8	15150-MG7-000	SCREEN, OIL PUMP
9	15160-PA5-003	RING, SNAP (92MM)
10	15171-MN5-000	GUIDE
11	15231-MN5-010	VALVE, RELIEF
12	15232-MN5-000	SPRING, RELIEF VALVE
13	15240-MAM-000	PUMP, SCAVENGE OIL
14	15243-MN5-010	COLLAR, OIL PUMP
15	15244-MN5-000	ROTOR (INNER)
16	15245-MN5-000	ROTOR (OUTER)
17	15247-MN5-000	GROMMET
18	90021-KE8-010	BOLT, HEX. (6X16)
19	90121-952-000	BOLT, FLANGE (6X25)
20	90456-MC7-000	WASHER (12MM)
21	90488-M80-000	WASHER (6X2.3)
22	90501-M80-000	PIN, DOWEL (8X14)

Catalog Title:  
**GL1500C/CT '97 - '00 VALKYRIE/VALKYRIE TOURER**

Block No.  
**E 14**

Block Title:  
**OIL PUMP**

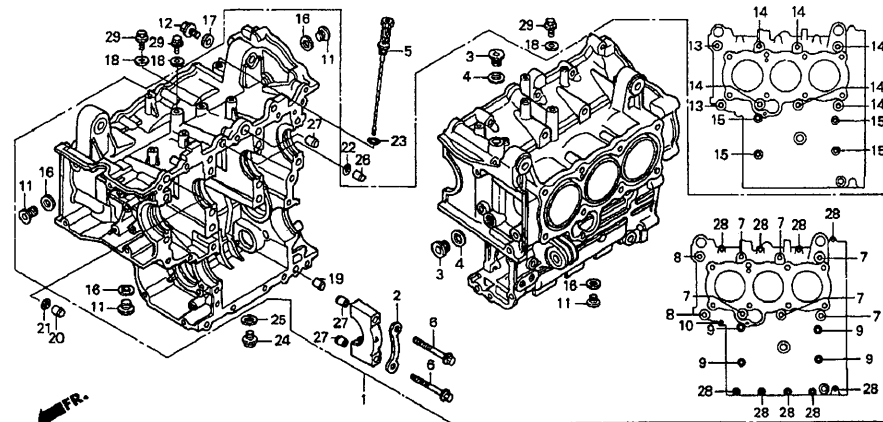
Ref. No.	Part No.	Description
23	91211-MN5-003	OIL SEAL (16X24X4)
24	91212-MN5-003	OIL SEAL (13X21X4)
25	94201-30250	PIN, COTTER (3.0X25)
25	94201-30300	PIN, COTTER (3X30)
25	94201-30400	PIN, COTTER (3.0X40)
25	94201-30450	PIN, COTTER (3.0X45)
26	94301-08140	PIN, DOWEL (8X14)
27	94303-05080	PIN, DOWEL (5X8)
28	95701-06014-08	BOLT, FLANGE (6X14)
29	95701-06022-00	BOLT, FLANGE (6X22)
30	95701-06032-08	BOLT, FLANGE (6X32)
31	95701-06045-08	BOLT, FLANGE (6X45)
32	96220-50178	ROLLER (5X17.8)



Catalog Title:  
**GL1500C/CT '97 - '00 VALKYRIE/VALKYRIE TOURER**

Block No.  
**E 15**

Block Title:  
**CYLINDER BLOCK**



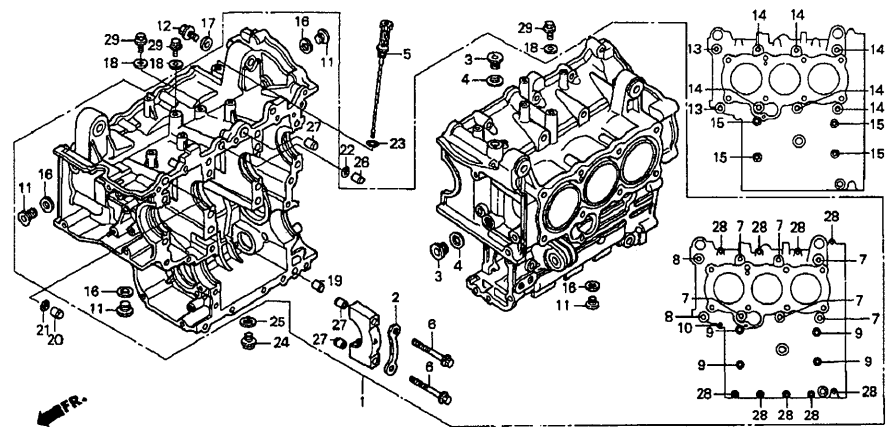
Ref. No.	Part No.	Description
1	04911-MZ0-710	BLOCK ASSY. (SC34E)
2	11125-MN5-010	PLATE, BEARING CAP
3	12206-ML8-300	BOLT, SEALING (18MM)
4	15650-MN5-000	DIPSTICK, OIL '97 CT'97
5	15650-MZ0-A00	DIPSTICK, OIL '98 '99 '00 CT'98 CT'99 CT'00
6	90003-MN5-013	BOLT, FLANGE (10X87)
7	90009-371-005	BOLT, FLG (10X120) '97
7	90009-371-015	BOLT, FLG (10X120)
8	90011-MN5-004	BOLT, FLANGE (10X13)
9	90012-MN5-000	BOLT, FLANGE (8X123)
10	90019-MN5-000	BOLT, FLANGE (6X35)
11	90048-MN5-000	BOLT, SEALING (20MM)
12	90109-KN8-730	BOLT (10X16)
13	90403-ML4-610	WASHER (10MM)
14	90438-463-000	WASHER (11X21X2.3)
15	90441-MG8-000	WASHER (8MM)
16	90441-MN5-000	WASHER (20MM)
17	90443-MB0-000	WASHER (10MM)
18	90495-MN5-000	WASHER (8MM)
19	90702-371-000	COLLAR (15X20)
20	90706-MN5-000	PIN, DOWEL (14X12)
21	91303-377-000	O-RING (13.8X2.5)
22	91313-MN5-004	O-RING (7.8X1.9)
23	91316-MJ8-003	O-RING (8.4X2.4)

Catalog Title:  
**GL1500C/CT '97 - '00 VALKYRIE/VALKYRIE TOURER**

Block No.  
**E 15**

Block Title:  
**CYLINDER BLOCK**

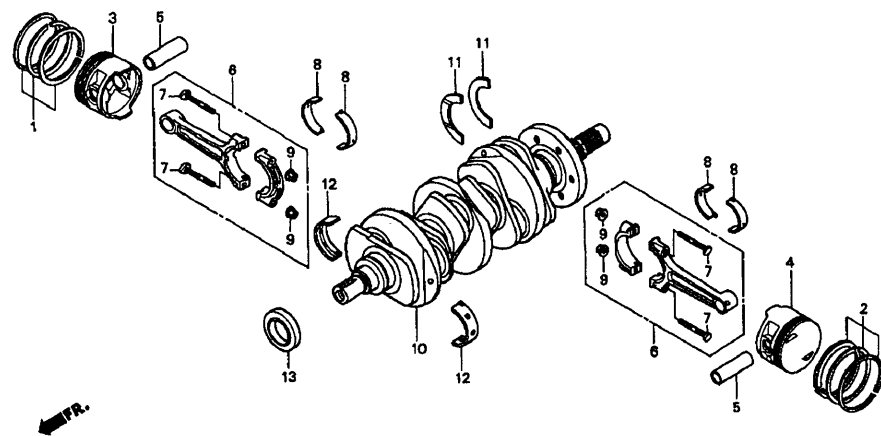
Ref. No.	Part No.	Description
24	92800-14000	BOLT (14MM)
25	94109-14000	WASHER (14MM)
26	94301-08140	PIN, DOWEL (8X14)
27	94301-12200	PIN, DOWEL (12X20)
28	95701-06035-08	BOLT, FLANGE (6X35)
29	95701-08016-08	BOLT, FLANGE (8X16)



Catalog Title:  
**GL1500C/CT '97 - '00 VALKYRIE/VALKYRIE TOURER**

Block No.  
**E 16**

Block Title:  
**CRANKSHAFT / PISTON**



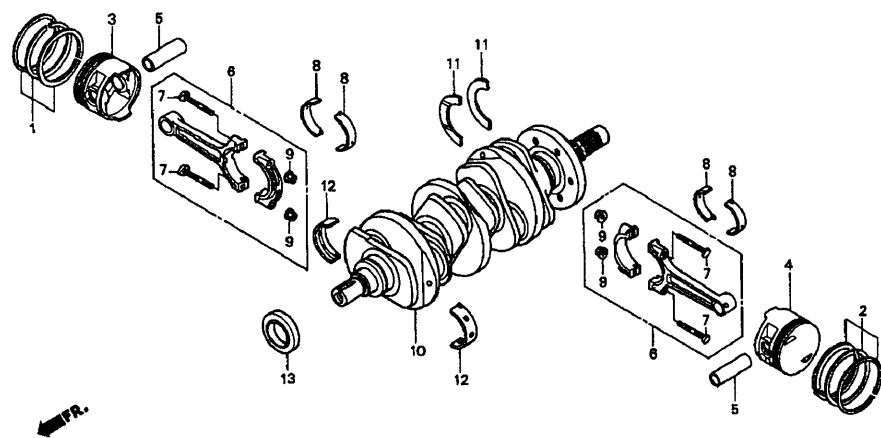
Ref. No.	Part No.	Description
1	13011-MN5-306	RING SET (STD) - ALL MODELS-
1	13021-MN5-306	RING SET (OS 0.25)
1	13031-MN5-306	RING SET (OS 0.50)
1	13041-MN5-306	RING SET (0.75)
1	13051-MN5-306	RING SET (1.00)
2	13011-MZ0-305	RING SET (STD) - ALL MODELS
2	13021-MZ0-305	RING SET (OS 0.25)
2	13031-MZ0-305	RING SET (OS 0.50)
2	13041-MZ0-305	RING SET (0.75)
2	13051-MZ0-305	RING SET (1.00)
3	13101-MZ0-000	PISTON, R. (STD) - ALL MODELS
3	13103-MZ0-305	PISTON, R. (OS 0.25)
3	13104-MZ0-305	PISTON, R. (OS 0.50)
3	13105-MZ0-305	PISTON, R. (0.75)
3	13106-MZ0-305	PISTON, R. (1.00)
4	13102-MZ0-000	PISTON, L. (STD) - ALL MODELS
4	13107-MZ0-305	PISTON, L. (OS 0.25)
4	13108-MZ0-305	PISTON, L. (OS 0.50)
4	13109-MZ0-305	PISTON, L. (0.75)
4	13110-MZ0-305	PISTON, L. (1.00)
5	13111-MZ0-000	PIN, PISTON - ALL MODELS
6	13201-MT2-000	ROD A, CONNECTING
6	13202-MT2-000	ROD B, CONNECTING
6	13203-MT2-000	ROD C, CONNECTING
6	13204-MT2-000	ROD D, CONNECTING

Catalog Title:  
**GL1500C/CT '97 - '00 VALKYRIE/VALKYRIE TOURER**

Block No.  
**E 16**

Block Title:  
**CRANKSHAFT / PISTON**

Ref. No.	Part No.	Description
6	13205-MT2-000	ROD E, CONNECTING
7	13213-MS2-610	BOLT, CONNECTING ROD
8	13214-MN5-003	BEARING A, CONN ROD BLUE
8	13215-MN5-003	BEARING B, CONN ROD BLACK
8	13216-MN5-003	BEARING C, CONN ROD BROWN
8	13217-MN5-003	BEARING D, CONN ROD GREEN
8	13218-MN5-003	BEARING E, CONN ROD YELLOW
9	13215-ML7-000	NUT, CONNECTING ROD
10	13310-MN5-010	CRANKSHAFT
11	13312-MN5-003	BEARING, THRUST
12	13314-MZ0-003	BEARING A, MAIN BLUE
12	13315-MZ0-003	BEARING B, MAIN BLACK
12	13316-MZ0-003	BEARING C, MAIN BROWN
12	13317-MZ0-003	BEARING D, MAIN GREEN
12	13318-MZ0-003	BEARING E, MAIN YELLOW
13	91201-MN5-003	OIL SEAL (35X59X8)



## GL1500C/CT '97 - '00 VALKYRIE/VALKYRIE TOURER

Main bearing selection (Oil clearance 20-38 $\mu$ m)

Crankcase I.D. 54 $\phi$		I	II	III
		0- +0.006	+0.006- +0.012	+0.012- +0.018
Crankshaft O.D. 50 $\phi$				
1	-0.006- -0.012	YELLOW	GREEN	BROWN
2	-0.012- -0.018	GREEN	BROWN	BLACK
3	-0.018- -0.024	BROWN	BLACK	BLUE

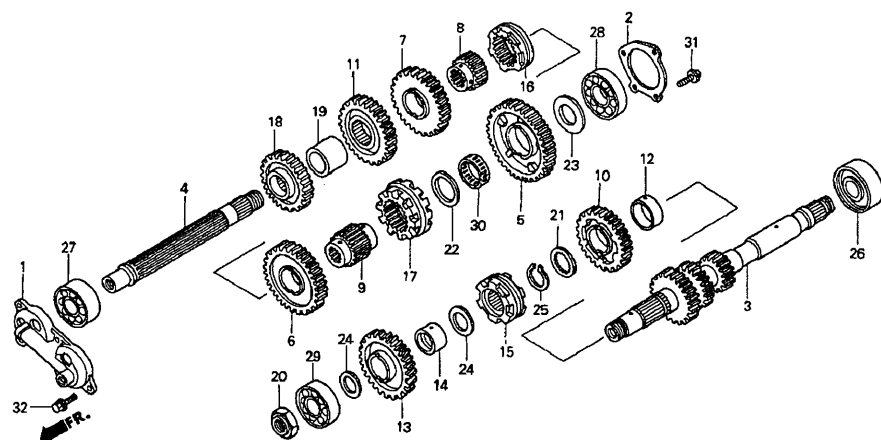
Connecting rod bearing selection (Oil clearance 28-46 $\mu$ m)

Connecting rod I.D. 47 $\phi$		I	2 or I	3 or III
		0- +0.006	+0.006- +0.012	+0.012- +0.018
Crank pin O.D. 44 $\phi$				
A	-0.006- -0.012	YELLOW	GREEN	BROWN
B	-0.012- -0.018	GREEN	BROWN	BLACK
C	-0.018- -0.024	BROWN	BLACK	BLUE

Catalog Title:  
**GL1500C/CT '97 - '00 VALKYRIE/VALKYRIE TOURER**

Block No.  
**E 17**

Block Title:  
**TRANSMISSION**



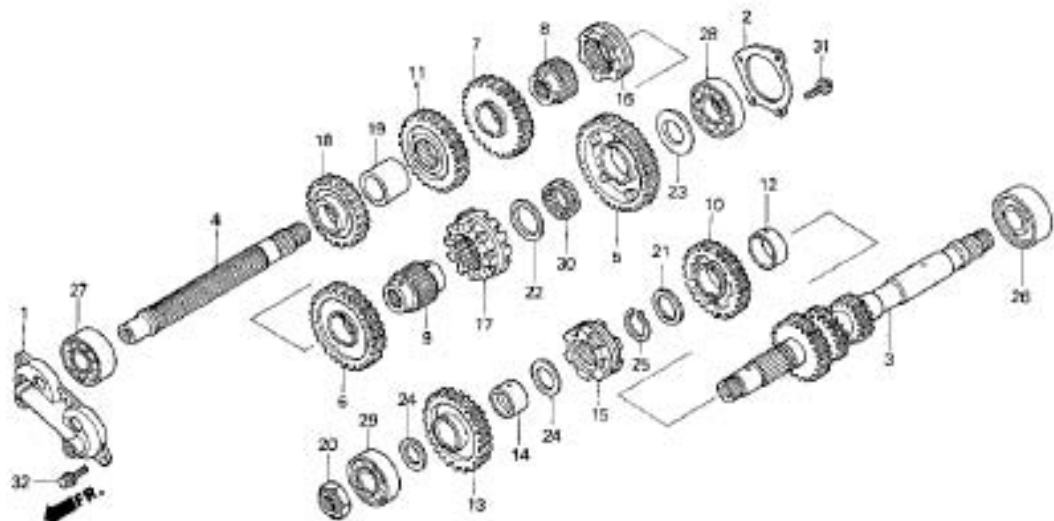
Ref. No.	Part No.	Description
1	23150-MN5-000	HOLDER
2	23161-MN5-000	PLATE
3	23210-MZ0-000	SHAFT (24T/18T/15T) '97 '98 CT'97 CT'98
3	23210-MAM-L40	SHAFT (24T/18T/15T) '99 '00 CT'99 CT'00
4	23220-MN5-000	COUNTERSHAFT
5	23421-MT8-000	GEAR (40T)
6	23441-MZ0-000	GEAR (31T)
7	23451-MZ0-000	GEAR (31T)
8	23456-MT8-000	COLLAR (28X43X34.4)
9	23457-MN5-000	COLLAR (28X43X59.4)
10	23461-MZ0-000	GEAR (30T)
11	23471-MZ0-000	GEAR (30T)
12	23472-MT3-000	COLLAR (28MM)
13	23481-MZ0-000	GEAR (36T)
14	23482-MZ0-000	COLLAR (23X30X17.5)
15	23483-MZ0-000	SHIFTER, FR.
16	23484-MZ0-000	SHIFTER, CENTER
17	23485-MZ0-000	SHIFTER, RR.
18	23491-MZ0-000	GEAR (29T)
19	23492-MT8-000	COLLAR (27.8X35X28)
20	90201-MZ0-000	NUT, HEX. (22MM)
21	90451-MN5-000	WASHER (28X34X1.5)
22	90467-MN5-000	WASHER (35.2X46X1.6)
23	90468-MN5-000	WASHER (25X47X2.6)
24	90471-MZ0-000	WASHER (23X35X2)

Catalog Title:  
GL1500C/CT '97 - '00 VALKYRIE/VALKYRIE TOURER

Block No.  
E 17

Block Title:  
TRANSMISSION

Ref. No.	Part No.	Description
25	90602-MM5-000	CIRCLIP (28MM)
25	90603-MN4-000	CIRCLIP (28MM)
26	91001-MN5-003	BEARING (28X54X20.6)
27	91003-MN5-003	BEARING (63/22)
28	91006-MN5-003	BEARING (6305)
29	91006-MZ0-003	BEARING (23X62X17)
30	91014-MN5-003	BEARING (35X40X16)
31	95701-06016-08	BOLT, FLANGE (6X16)
32	95701-06020-08	BOLT, FLANGE (6X20)

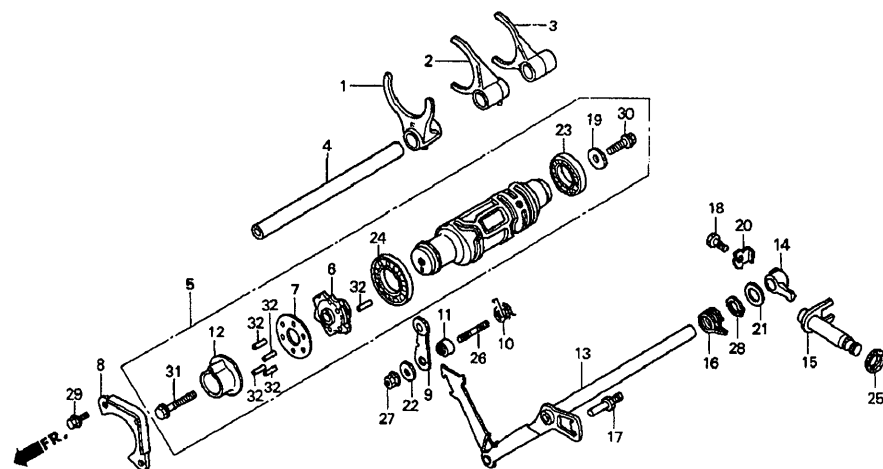


Catalog Title:  
**GL1500C/CT '97 - '00 VALKYRIE/VALKYRIE TOURER**

Block No.  
**E 18**

Block Title:  
**SHIFT DRUM / SHIFT FORK**

Ref. No.	Part No.	Description
25	91206-286-013	OIL SEAL (17X28X7)
26	92900-06025-0B	BOLT 2, STUD (6X25)
27	94050-06000	NUT, FLANGE (6MM)
28	94510-14000	CIRCLIP (14MM)
29	95701-06016-08	BOLT, FLANGE (6X16)
30	95701-06022-08	BOLT, FLANGE (6X22)
31	95701-08040-08	BOLT, FLANGE (8X40)
32	96220-40148	ROLLER (4X14.8)



Catalog Title:

**GL1500C/CT '97 - '00 VALKYRIE/VALKYRIE TOURER**

Block No.

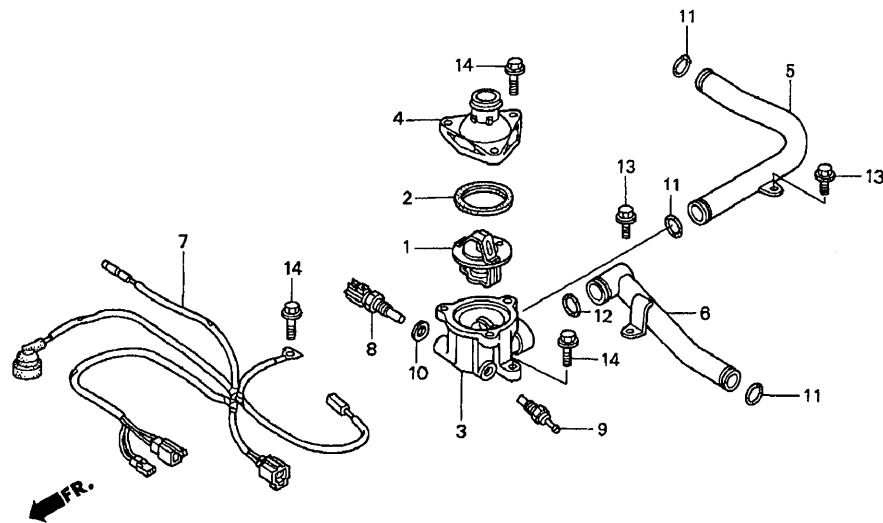
**E 19**

Block Title:

**WATER PIPE / THERMOSTAT**

**Honda**

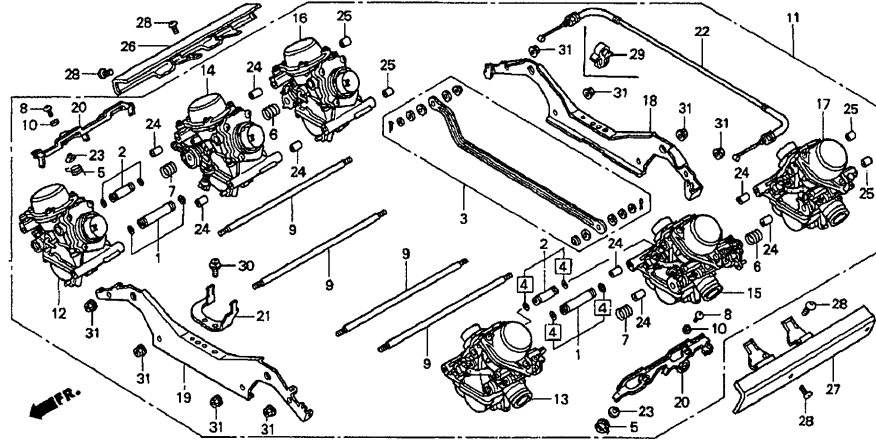
Ref. No.	Part No.	Description
1	19300-MZ0-003	THERMOSTAT
2	19305-MN5-000	RUBBER, THERMOSTAT
3	19311-MZ0-000	CASE, THERMOSTAT
4	19320-MN5-000	COVER, THERMOSTAT
5	19422-MZ0-000	PIPE, R.
6	19423-MZ0-000	PIPE, L.
7	32101-MZ0-760	SUB-HARNESS, ENGINE '97TO '99 CT'97 TO CT'99
7	32101-MBY-000	SUB-HARNESS, ENGINE '00 CT'00
8	36151-MT8-003	SENSOR, COOLANT TEMP
9	37750-PC1-004	SENDING UNIT '97TO '99 CT'97 TO CT'99
9	37760-MAV-003	SWITCH ASSY., THERMO '00 CT'00
10	90454-MC7-000	WASHER (12MM)
11	91315-MAH-003	SEAL (22.5MM)
12	91316-MZ0-003	SEAL (25.7MM)
13	95701-06014-08	BOLT, FLANGE (6X14)
14	95701-06025-08	BOLT, FLANGE (6X25)



Catalog Title:  
**GL1500C/CT '97 - '00 VALKYRIE/VALKYRIE TOURER**

Block No.  
**E 20**

Block Title:  
**CARBURETOR ASSY.**

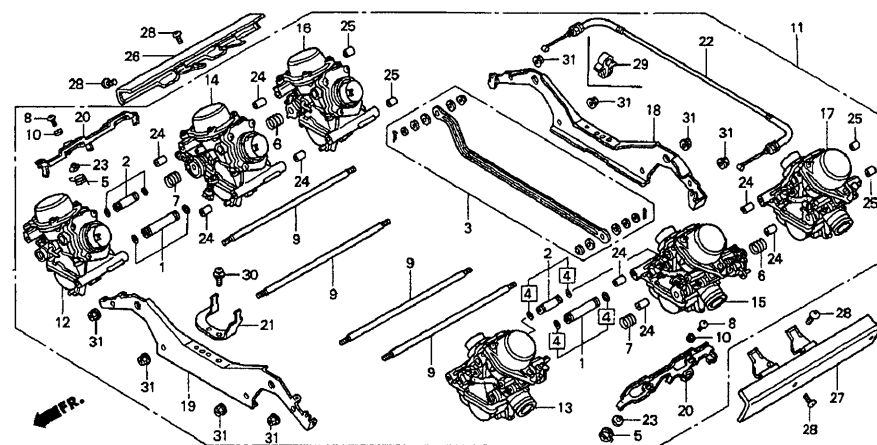


Ref. No.	Part No.	Description
1	16024-MZ0-670	JOINT SET, FUEL
2	16027-MZ0-670	JOINT SET
3	16035-MZ0-000	LEVER SET, LINK
4	16039-MZ1-790	GASKET SET C
5	16051-MZ0-000	SPRING, TORSION COIL
6	16053-MA6-003	SPRING
7	16053-MZ0-000	SPRING
8	16081-KAZ-000	SCREW-WASHER
9	16083-KAZ-000	BOLT '97 CT'97
9	16083-MZ0-A00	BOLT '98 '99 '00 CT'98 CT'99 CT'00
10	16085-MV4-000	WASHER, PLAIN
11	16100-MZ0-670	CARBURETOR (VPK0A A) '97 CT'97
11	16100-MZ0-770	CARBURETOR (VPK0B A) '97 CT'97
11	16100-MZ0-A00	CARBURETOR (VPK0J A)'98 '99 '00 CT'98 CT'99 CT'00
11	16100-MZ0-L00	CARBURETOR (VPK0K A)'98 '99 '00 CT'98 CT'99 CT'00
12	16101-MZ0-670	CARBURETOR ASSY. 1 '97 CT'97
12	16101-MZ0-770	CARBURETOR ASSY. 1 '97 CT'97
12	16101-MZ0-A00	CARBURETOR ASSY. 1 '98 '99 '00 CT'98 CT'99 CT'00
12	16101-MZ0-L00	CARBURETOR ASSY. 1 '98 '99 '00 CT'98 CT'99 CT'00
13	16102-MZ0-670	CARBURETOR ASSY. 2 '97 CT'97
13	16102-MZ0-770	CARBURETOR ASSY. 2 '97 CT'97
13	16102-MZ0-A00	CARBURETOR ASSY. 2 '98 '99 '00 CT'98 CT'99 CT'00
13	16102-MZ0-L00	CARBURETOR ASSY. 2 '98 '99 '00 CT'98 CT'99 CT'00
14	16103-MZ0-670	CARBURETOR ASSY. 3 '97 CT'97
14	16103-MZ0-770	CARBURETOR ASSY. 3 '97 CT'97

Catalog Title:  
**GL1500C/CT '97 - '00 VALKYRIE/VALKYRIE TOURER**

Block No.  
**E 20**

Block Title:  
**CARBURETOR ASSY.**



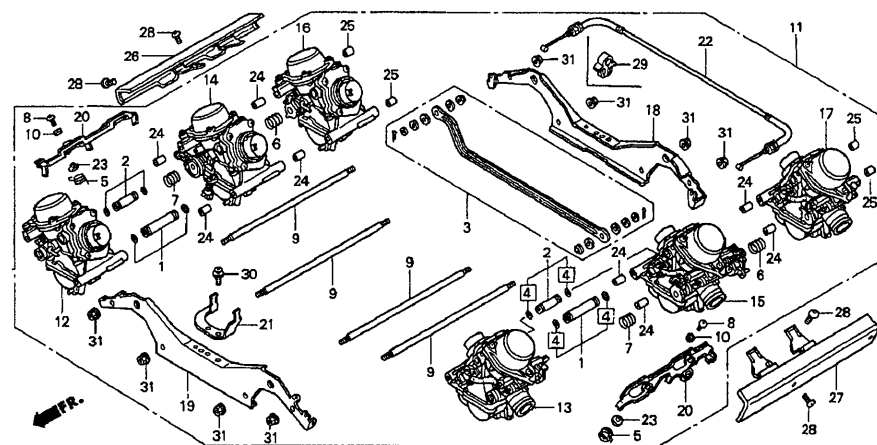
Ref. No.	Part No.	Description
14	16103-MZ0-A00	CARBURETOR ASSY. 3 '98 TO '00 CT'98 TO CT'00
14	16103-MZ0-L00	CARBURETOR ASSY. 3 '98 TO '00 CT'98 TO CT'00
15	16104-MZ0-670	CARBURETOR ASSY. 4 '97 CT'97
15	16104-MZ0-770	CARBURETOR ASSY. 4 '97 CT'97
15	16104-MZ0-A00	CARBURETOR ASSY. 4 '98 TO '00 CT'98 TO CT'00
15	16104-MZ0-L00	CARBURETOR ASSY. 4 '98 TO '00 CT'98 TO CT'00
16	16105-MZ0-670	CARBURETOR ASSY. 5 '97 CT'97
16	16105-MZ0-770	CARBURETOR ASSY. 5 '97 CT'97
16	16105-MZ0-A00	CARBURETOR ASSY. 5 '98 TO '00 CT'98 TO CT'00
16	16105-MZ0-L00	CARBURETOR ASSY. 5 '98 TO '00 CT'98 TO CT'00
17	16106-MZ0-670	CARBURETOR ASSY. 6 '97 CT'97
17	16106-MZ0-770	CARBURETOR ASSY. 6 '97 CT'97
17	16106-MZ0-A00	CARBURETOR ASSY. 6 '98 TO '00 CT'98 TO CT'00
17	16106-MZ0-L00	CARBURETOR ASSY. 6 '98 TO '00 CT'98 TO CT'00
18	16119-MZ0-000	PLATE, STAY
18	16119-MZ0-770	PLATE, STAY
19	16120-MZ0-000	PLATE, STAY
20	16121-MZ0-000	LEVER, STARTER
21	16129-MZ0-000	STAY
22	16130-MZ0-000	CABLE, CHOKE
23	16175-MZ1-000	COLLAR
24	16178-MAS-600	PIN, DOWEL (7.9X20)
25	16178-MZ0-000	PIN, DOWEL
26	16301-MZ0-000	COVER, R. CARBURETOR '97 '98 CT'97 CT'98
26	16301-MZ0-A40	COVER, R. CARBURETOR

Catalog Title:  
**GL1500C/CT '97 - '00 VALKYRIE/VALKYRIE TOURER**

Block No.  
**E 20**

Block Title:  
**CARBURETOR ASSY.**

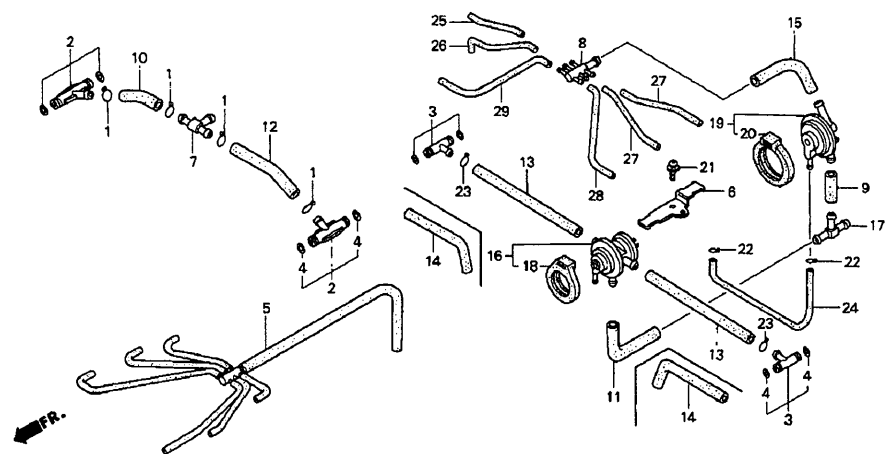
Ref. No.	Part No.	Description
27	16302-MZ0-000	COVER, L. CARBURETOR '97'98 CT'97'98
27	16302-MZ0-A40	COVER, L. CARBURETOR '99'00 CT '99'00
28	90111-MZ0-000	SCREW (5X10)
29	91504-SL0-003	CLIP, HOOD OPEN WIRE
30	93892-06010-00	SCREW-WASHER (6X10)
30	93892-06010-10	SCREW-WASHER (6X10)
31	94050-06000	NUT, FLANGE (6MM)



Catalog Title:  
**GL1500C/CT '97 - '00 VALKYRIE/VALKYRIE TOURER**

Block No.  
**E 2001**

Block Title:  
**CARBURETOR TUBING**



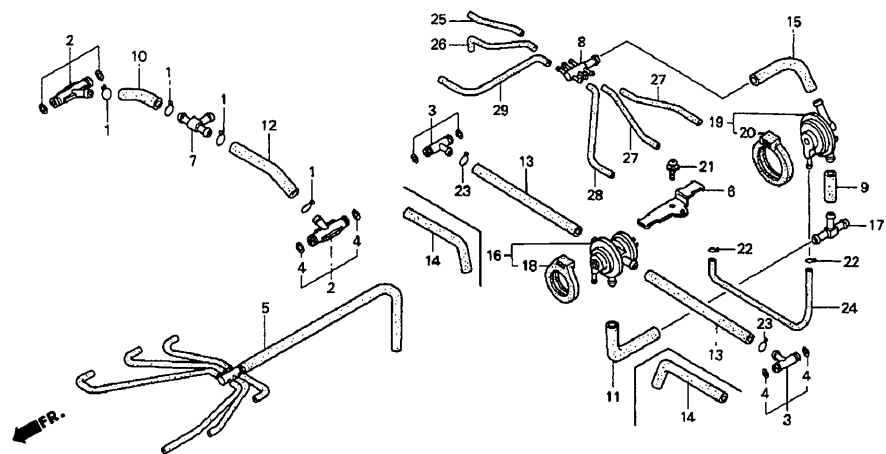
Ref. No.	Part No.	Description
1	15772-292-010	CLIP, BREATHER TUBE
2	16024-MZ0-000	JOINT SET, FUEL
3	16027-MZ0-000	JOINT SET
4	16039-MZ1-790	GASKET SET C
5	16065-MZ0-000	TUBE SET, DRAIN
6	16117-MZ0-770	STAY, CONTROL VALVE
7	16180-MM5-601	T-JOINT
8	16180-MZ0-770	JOINT, PURGE
9	16194-MZ0-770	TUBE
10	16195-MZ0-000	TUBE, FUEL
11	16195-MZ0-770	TUBE
12	16196-MZ0-000	TUBE, FUEL
13	16198-MZ1-770	TUBE
14	16199-MZ0-000	TUBE
15	16199-MZ0-770	TUBE
16	17300-MZ0-771	VALVE ASSY.
17	17303-MJ1-790	JOINT, THREE-WAY
18	17305-MJ4-771	RUBBER, SETTING
19	17430-MZ0-770	VALVE ASSY, PURGE
20	17451-ME5-760	RUBBER
21	93892-06010-00	SCREW-WASHER (6X10)
21	93892-06010-10	SCREW-WASHER (6X10)
22	95002-02079	CLIP, TUBE (B17)
23	95002-70000	CLIP, TUBE (C11)

Catalog Title:  
**GL1500C/CT '97 - '00 VALKYRIE/VALKYRIE TOURER**

Block No.  
**E 2001**

Block Title:  
**CARBURETOR TUBING**

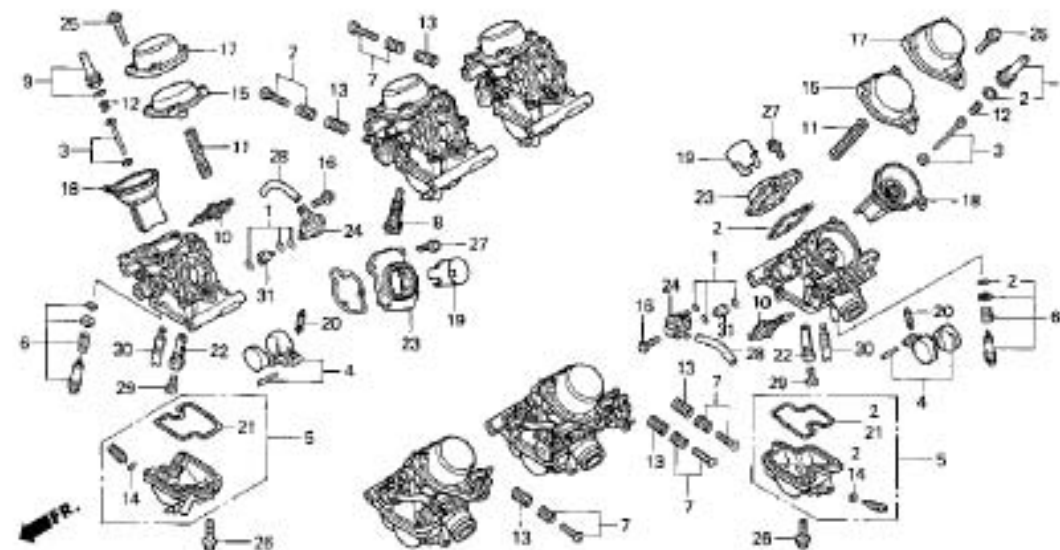
Ref. No.	Part No.	Description
24	95005-35008-10M	BULK HOSE (3.5X8000)
25	95005-45001-20M	BULK HOSE (4.5X1000)
26	95005-45001-20M	BULK HOSE (4.5X1000)
27	95005-45001-20M	BULK HOSE (4.5X1000)
28	95005-45001-20M	BULK HOSE (4.5X1000)
29	95005-45001-20M	BULK HOSE (4.5X1000)



Catalog Title:  
GL1500C/CT '97 - '00 VALKYRIE/VALKYRIE TOURER

Block No.  
E 2002

Block Title:  
CARBURETOR COMPONENTS



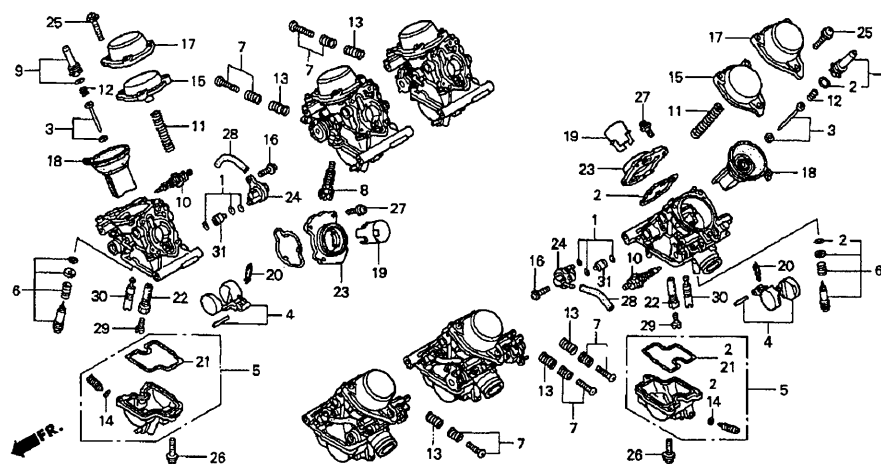
Ref. No.	Part No.	Description
1	16010-MW0-750	GASKET SET D
2	16010-MZ0-000	GASKET SET
3	16012-MZ0-770	NEEDLE SET, JET '97 CT'97
3	16012-MZ0-A00	NEEDLE SET, JET '98 TO '00 CT'98/'99'00
4	16013-MV4-000	FLOAT SET
5	16015-MZ0-000	CHAMBER SET, FLOAT
6	16016-MAS-670	SCREW SET
7	16028-MV4-000	
8	16029-MZ0-000	SCREW SET, STOP
9	16037-KAZ-000	PLATE SET, VALVE
10	16046-KBH-000	VALVE SET, STARTER
11	16050-MZ0-000	SPRING
12	16051-MV4-000	SPRING
13	16052-KG4-003	SPRING
14	16075-GHB-640	O-RING (1.3X4.3)
15	16107-KAZ-000	TOP
16	16108-MW0-750	SCREW
17	16110-MZ0-000	COVER, TOP
18	16111-KAZ-010	PISTON, VACUUM '97 CT'97
18	16111-MZ0-A00	PISTON, VACUUM '98 TO '00 CT'98/'99'00
19	16141-MZ0-000	COLLAR '97 CT'97
19	16141-MZ0-A00	COLLAR '98 TO '00 CT'98/'99'00
20	16155-413-751	VALVE, FLOAT
21	16163-KEA-000	GASKET

Catalog Title:  
**GL1500C/CT '97 - '00 VALKYRIE/VALKYRIE TOURER**

Block No.  
**E 2002**

Block Title:  
**CARBURETOR COMPONENTS**

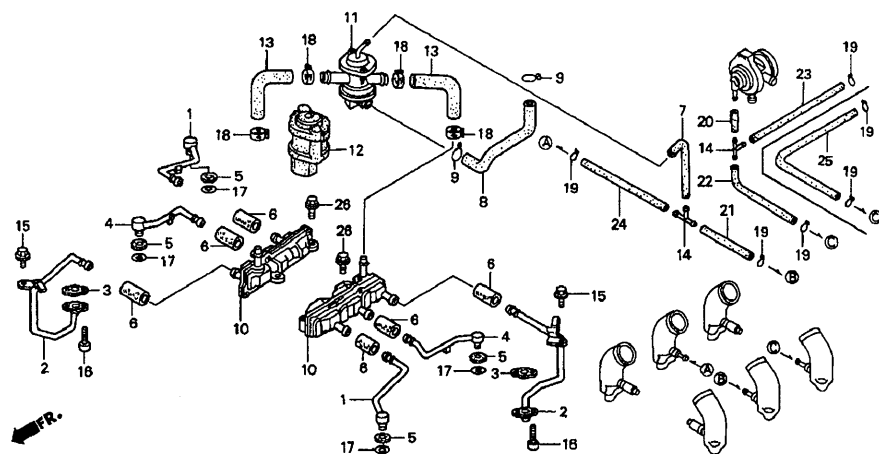
Ref. No.	Part No.	Description
22	16165-MZ0-670	HOLDER, NEEDLE JET
23	16188-MZ0-000	PLATE
24	16510-MAL-600	VALVE ASSY., AIR CUT -A-
24	16510-MZ2-650	VALVE ASSY., AIR CUT -AC-
25	93892-04018-10	SCREW-WASHER (4X18)
26	93892-05016-10	SCREW-WASHER (5X16)
27	93893-04014-17	SCREW-WASHER (4X14)
28	95005-35001-20M	BULK HOSE (3.5X1000)
29	99101-GHB-1000	JET, MAIN (#100)
30	99103-MT2-0350	JET, SLOW (#35)
31	99108-MY1-1200	JET (#120)



Catalog Title:  
**GL1500C/CT '97 - '00 VALKYRIE/VALKYRIE TOURER**

Block No.  
**E 21**

Block Title:  
**TUBING**



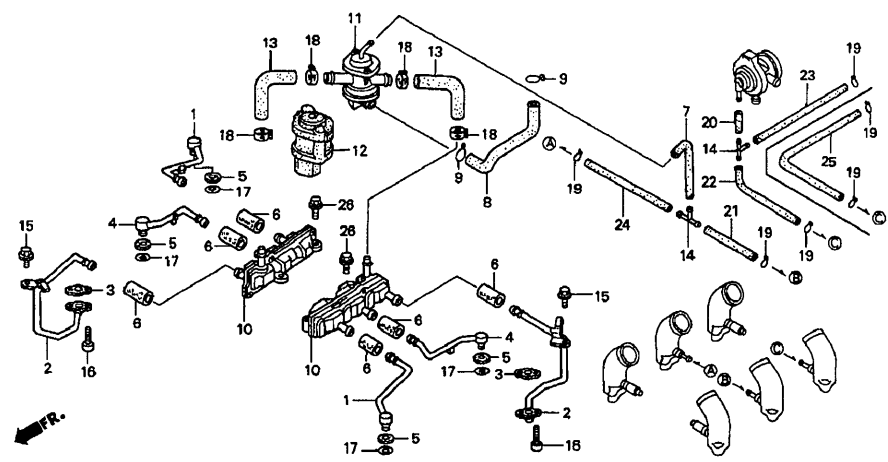
Ref. No.	Part No.	Description
1	17130-MN5-020	PIPE, AIR FEED
2	17140-MN5-000	PIPE B, AIR FEED
3	17142-MN5-000	GASKET
4	17150-MN5-020	PIPE, AIR FEED
5	17155-MT2-000	RUBBER
6	17161-MN5-010	HOSE, AIR FEED '97'98 CT'97'98
6	17161-MAM-L40	HOSE, AIR FEED '99'00 CT'99'00
7	17161-MZ0-000	TUBE A, PB
8	17162-MZ0-000	TUBE A, AIR IN.
9	17369-KB4-670	CLIP, BREATHER TUBE
10	18610-MW5-000	CASE, REED VALVE
11	18650-MZ0-671	CONTROL VALVE ASSY.
11	18650-MZ0-771	CONTROL VALVE ASSY.
12	18653-MZ0-000	COVER
13	18654-MZ0-000	HOSE, AIR IN.
14	36010-PA6-004	JOINT, THREE-WAY
14	38773-PB9-000	JOINT (3.5)
15	90016-MN5-000	BOLT, FLANGE (6X14)
16	90040-MN5-000	SOCKET, BOLT (6X18)
17	91305-422-000	O-RING (9.8X2.4)
17	91352-425-003	O-RING (9.8X7.4)
18	91405-PE0-003	CLAMP, TUBE (D20)

Catalog Title:  
**GL1500C/CT '97 - '00 VALKYRIE/VALKYRIE TOURER**

Block No.  
**E 21**

Block Title:  
**TUBING**

Ref. No.	Part No.	Description
19	95002-02070	CLIP, TUBE (B7)
20	95005-35008-10M	BULK HOSE (3.5X8000)
21	95005-35008-10M	BULK HOSE (3.5X8000)
22	95005-35008-10M	BULK HOSE (3.5X8000)
23	95005-35008-10M	BULK HOSE (3.5X8000)
24	95005-35008-10M	BULK HOSE (3.5X8000)
25	95005-35008-10M	BULK HOSE (3.5X8000)
26	95701-06025-08	BOLT, FLANGE (6X25)



Block No.  
EOP01Block Title:  
**GASKET KIT A**

Ref. No.	Part No.	Description
1	06111-MZ0-010	GASKET KIT A '97'98'99 CT'97'98'99
1	11515-MZ0-000	GASKET, FR. COVER
1	06111-MZ0-E10	GASKET KIT A (FOR STD PISTON) '00CT'00
2	11542-MN5-300	GASKET, R.
3	11552-MN5-300	GASKET, L.
4	12209-422-005	SEAL, VALVE STEM
5	12251-MN5-004	GASKET, CYL HD
5	12251-MN5-013	GASKET, CYL HD
6	12314-MAF-000	GASKET, HEAD COVER
7	12318-MN5-000	GASKET, RR.
8	16075-GHB-B70	O-RING (2.4X29)
9	18291-MN5-650	GASKET, EX. PIPE
10	90542-MB0-000	RUBBER, SETTING
11	91301-107-000	O-RING (75X2.5)
12	17142-MN5-000	GASKET '00 CT'00
13	91305-422-000	O-RING (9.8X2.4) '00 CT'00
13	91352-425-003	O-RING (9.8X7.4) '00 CT'00

Block No.  
EOP02Block Title:  
**GASKET KIT B**

Ref. No.	Part No.	Description
-	06112-MZ0-010	GASKET KIT B '97 CT'97
-	06112-MZ0-A41	GASKET KIT B '98 TO '00 CT'98 TO CT'00
1	11351-MN5-651	GASKET, CLUTCH COVER
1	06112-MZ0-E10	GASKET KIT B '00 CT'00
2	11391-MN5-650	GASKET, TRANS CVR
3	12207-611-300	WASHER, SEALING BOLT
4	19226-MN5-000	GASKET
5	21112-MN5-650	GASKET, RR. CASE
6	90441-MG8-000	WASHER (8MM)
7	90441-MN5-000	WASHER (20MM)
8	90443-MB0-000	WASHER (10MM)
9	90495-MN5-000	WASHER (8MM)
10	90545-300-000	WASHER, OIL BOLT
11	91301-147-023	O-RING (18.3X2.3)
12	91302-MB0-013	O-RING (32.95X2.62)
13	91303-377-000	O-RING (13.8X2.5)
14	91304-MN5-003	O-RING (63X3)
14	91316-PT6-003	O-RING (62.4X3.1)
15	91301-MC7-003	O-RING (15.8X2.5)
15	91305-MN5-003	O-RING (15.9X2.4)
16	91307-425-003	O-RING (22X3.0)
17	91301-MJ0-003	O-RING (7.8X1.9)
17	91313-MN5-004	O-RING (7.8X1.9)
18	91315-MN5-004	O-RING (5.4X3.2)

Block No.  
**EOP02**

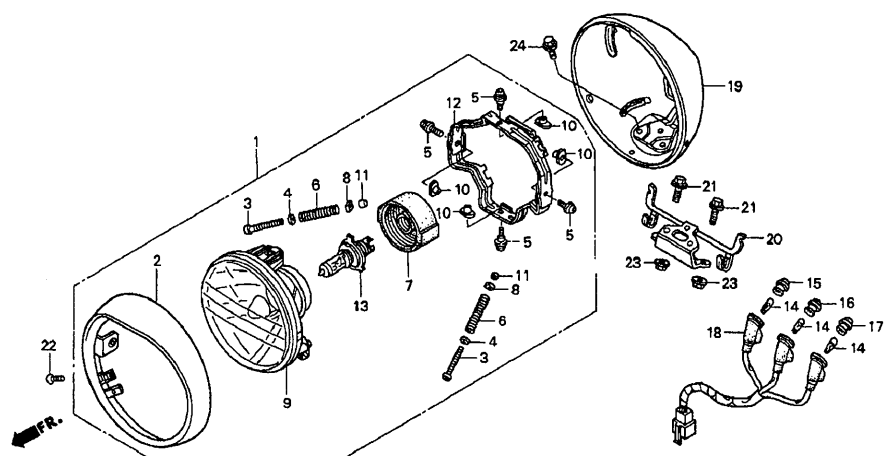
Block Title:  
**GASKET KIT B**

<u>Ref. No.</u>	<u>Part No.</u>	<u>Description</u>
19	91316-MJ8-003	O-RING (8.4X2.4)
20	91355-MG9-006	O-RING (5.8X1.9)
21	94109-14000	WASHER (14MM)
22	11515-MZ0-000	GASKET, FR. COVER '98'99 CT'98CT'99
23	90403-ML4-610	WASHER (10MM)
24	90438-463-000	WASHER (11X21X2.3)
25	90463-ML7-000	WASHER (6.5MM)
26	91309-MN5-008	O-RING (59.6X2.4)

Catalog Title:  
**GL1500C/CT '97 - '00 VALKYRIE/VALKYRIE TOURER**

Block No.  
**F 01**

Block Title:  
**HEADLIGHT**



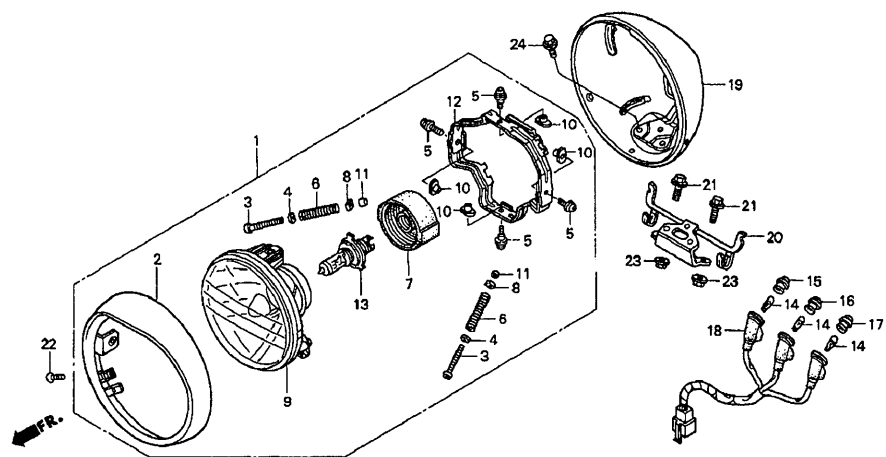
Ref. No.	Part No.	Description
1	33100-MZ0-671	HEADLIGHT ASSY.
2	33101-MZ0-671	RIM, HEADLIGHT
3	33103-MAH-671	SCREW
4	33105-MAH-671	WASHER
5	33106-MZ0-671	SCREW-WASHER
6	33107-MK7-671	SPRING
7	33112-MZ0-671	COVER, RUBBER
8	33118-438-841	NUT, BEAM ADJ.
9	33120-MBH-671	HEADLIGHT UNIT
9	33120-MZ0-671	HEADLIGHT UNIT
10	33128-MAH-671	NUT, SPECIAL
11	33136-426-830	COVER, SCREW
12	33153-MZ0-671	RING, HEADLIGHT
13	34901-MC7-601	BULB, HEADLIGHT
13	34901-MC7-601AH	BULB (12V60/55W)
14	34908-KM1-671	BULB (12V3W)
15	37551-MZ0-018	LENS
16	37561-MZ0-008	LENS
17	37571-MZ0-008	LENS, NEUTRAL PILOT
18	37606-MZ0-008	SOCKET, PILOT
19	61301-MZ0-000	CASE, HEADLIGHT
20	61311-MZ0-000	STAY, HEADLIGHT '97'98'99'00
21	90183-438-000	BOLT (8X26) '97'98'99'00
22	93700-05012-0B	SCREW, OVAL (5X12)
23	94050-08000	NUT, FLANGE (8MM) '97'98'99'00

Catalog Title:  
**GL1500C/CT '97 - '00 VALKYRIE/VALKYRIE TOURER**

Block No.  
**F 01**

Block Title:  
**HEADLIGHT**

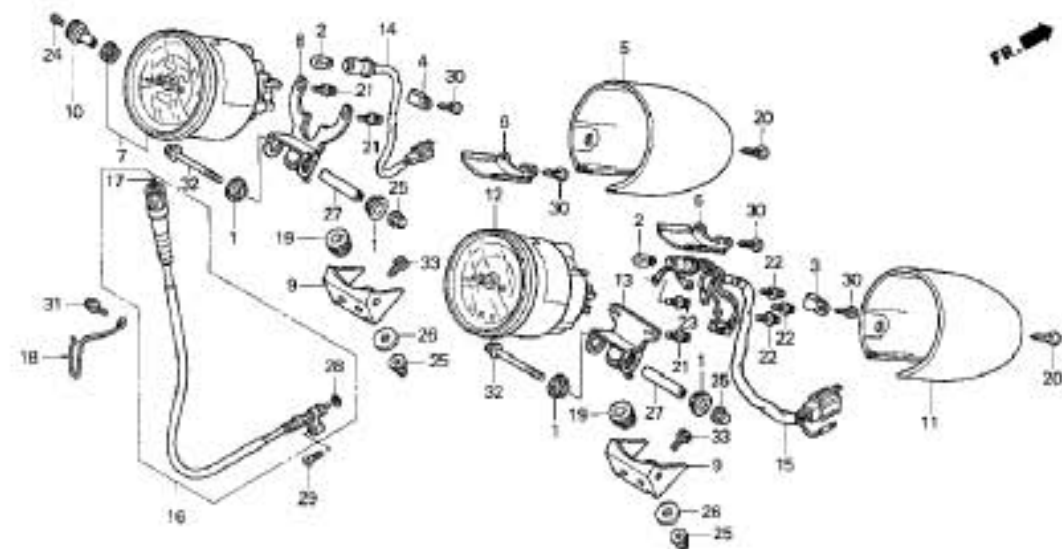
Ref. No.	Part No.	Description
24	95701-06010-00	BOLT, FLANGE (6X10)



Catalog Title:  
GL1500C/CT '97 - '00 VALKYRIE/VALKYRIE TOURER

Block No.  
F 02

Block Title:  
METER

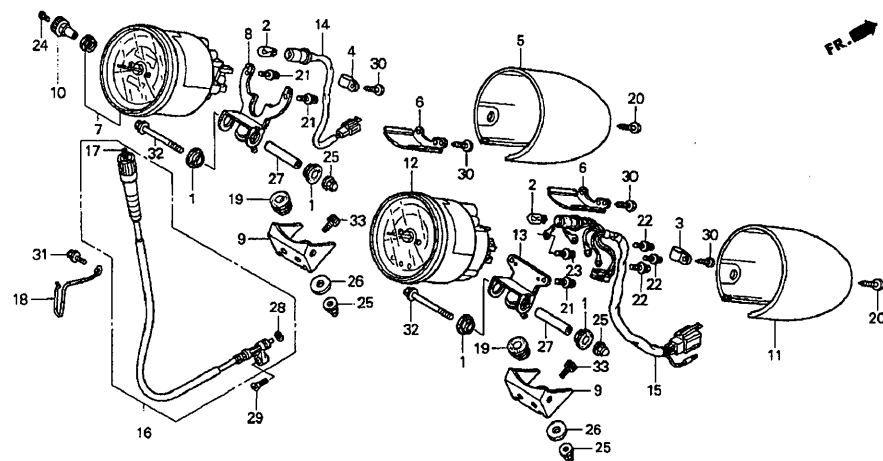


Ref. No.	Part No.	Description
1	33718-MM2-000	RUBBER
2	34908-MB9-871	BULB (12V1.7W)
2	34908-MZ0-760	BULB (T10) '98 CT'98
3	37121-KV3-008	CLAMP
3	37121-MZ0-760	CLAMP '98 CT'98
4	37122-MZ0-008	CLAMP
4	37122-MZ0-760	CLAMP '98 CT'98
5	37202-MZ0-008	COVER, SPEEDOMETER
5	37202-MZ0-760	COVER, SPEEDOMETER '98 CT'98
6	37204-MZ0-008	COVER, BLIND
6	37204-MZ0-760	COVER, BLIND '98 CT'98
7	37205-MZ0-671	SPEEDOMETER
7	37205-MZ0-760	SPEEDOMETER '98'99 CT'98'99
7	37205-MZ0-A40	SPEEDOMETER '99 CT'99
7	37205-MZ0-A81	SPEEDOMETER '00 CT'00
8	37211-MZ0-008	STAY, SPEEDOMETER
8	37211-MZ0-760	STAY, SPEEDOMETER '98CT'98
9	37213-MZ0-000	STAY, METER
10	37220-MZ0-008	KNOB
10	37220-MZ0-760	KNOB '98 CT'98
11	37252-MZ0-008	COVER, TACHOMETER
11	37252-MZ0-760	COVER, TACHOMETER '98 CT'98
12	37255-MZ0-671	TACHOMETER '97'98 CT'97'98
12	37255-MZ0-760	TACHOMETER '98 CT'98
12	37255-MZ0-A40	TACHOMETER '99 CT'99

Catalog Title:  
**GL1500C/CT '97 - '00 VALKYRIE/VALKYRIE TOURER**

Block No.  
**F 02**

Block Title:  
**METER**



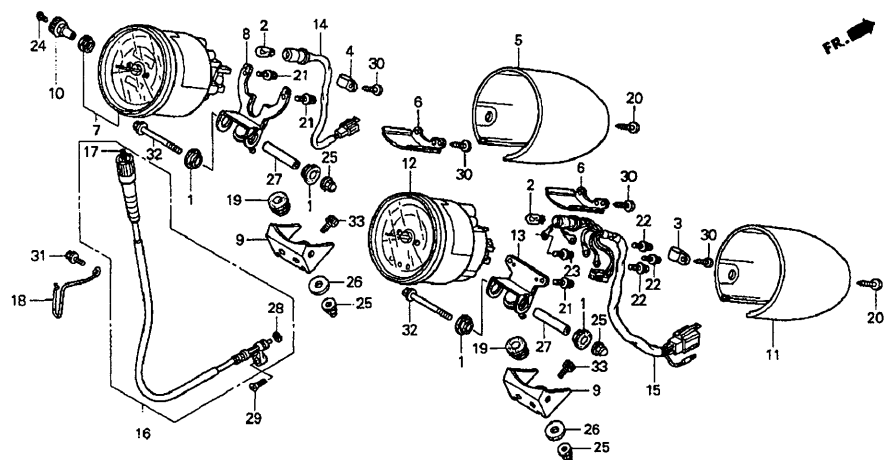
Ref. No.	Part No.	Description
12	37255-MZ0-A41	TACHOMETER '98 CT'98
12	37255-MZ0-A81	TACHOMETER '00 CT'00
13	37261-MZ0-008	STAY, TACHOMETER
13	37261-MZ0-760	STAY, TACHOMETER '98 CT'98
14	37618-MZ0-008	SOCKET
14	37618-MZ0-760	SOCKET '98 CT'98
15	37619-MZ0-008	SOCKET
15	37619-MZ0-760	SOCKET '98 CT'98
16	44830-MAH-000	CABLE, SPEEDOMETER
17	44831-MAH-000	CABLE (INNER)
18	44832-MZ0-000	GUIDE
19	84708-KE2-980	RUBBER A
20	90101-MY9-691	SCREW, TAP (4X16)
20	90101-MZ0-760	SCREW, TAP (4X16) '98 CT'98
21	90109-MZ0-008	SCREW-WASHER (4X10)
21	90109-MZ0-760	SCREW-WASHER (4X10) '98 CT'98
22	90133-SL9-003	SCREW-WASHER (3X18)
22	90133-MZ0-760	SCREW-WASHER (3X18) '98 CT'98
23	90134-SH3-003	SCREW-WASHER (3X10)
23	90134-MZ0-760	SCREW-WASHER (3X10) '98 CT'98
24	90158-KM7-911	SCREW, PAN (2X6)
24	90158-MZ0-760	SCREW, PAN (2X6) '98 CT'98
25	90202-ZV0-000	NUT, CAP (6MM)
26	90525-030-000	WASHER B
27	91104-MZ0-008	COLLAR (8X45)

Catalog Title:  
**GL1500C/CT '97 - '00 VALKYRIE/VALKYRIE TOURER**

Block No.  
**F 02**

Block Title:  
**METER**

Ref. No.	Part No.	Description
27	91104-MZ0-760	COLLAR (8X45)
28	91301-027-000	O-RING (6.8X1.9)
28	91306-PJ4-000	O-RING (6.8X1.9)
28	91310-MC7-003	O-RING B (6.8X1.9)
29	93700-05020-0G	SCREW, OVAL (5X20)
30	93903-24320	SCREW, TAP (4X12)
31	95701-06012-00	BOLT, FLANGE (6X12)
32	96001-06055-02	BOLT, FLANGE (6X55)
33	96700-06010-08	BOLT, SOCKET (6X10)

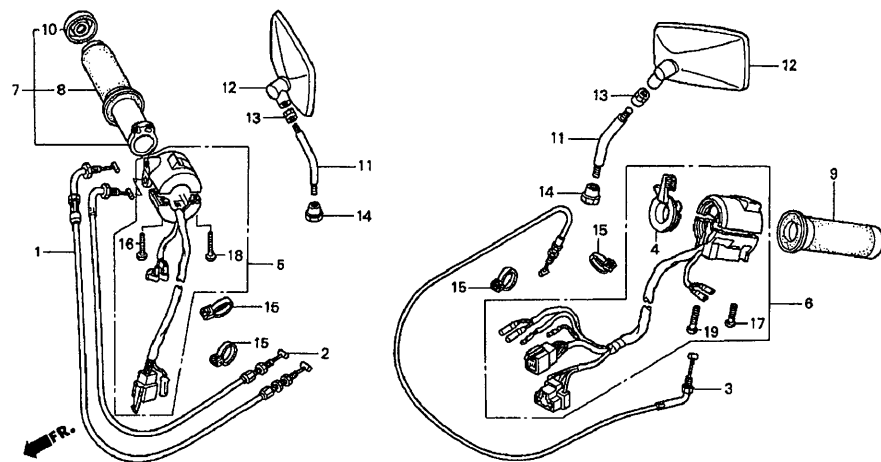


Catalog Title:  
**GL1500C/CT '97 - '00 VALKYRIE/VALKYRIE TOURER**

Block No.  
**F 03**

Block Title:  
**SWITCH / CABLE**

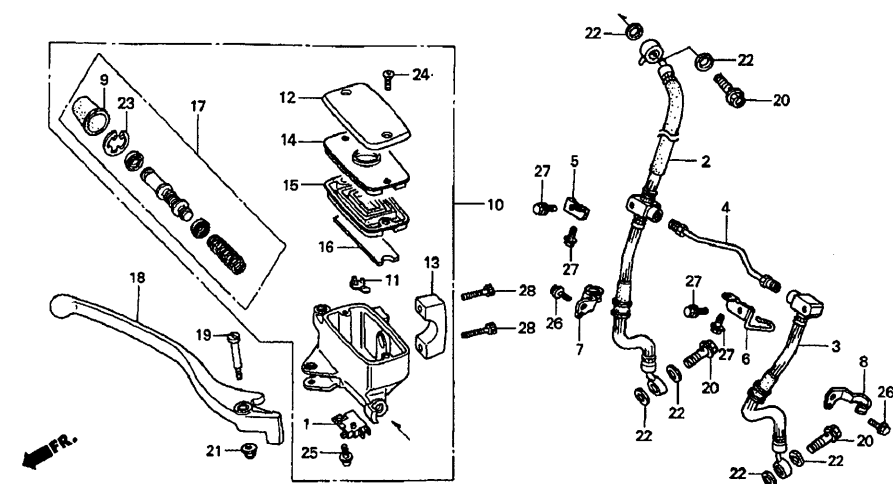
Ref. No.	Part No.	Description
1	17910-MZ0-000	CABLE A, THROTTLE
2	17920-MZ0-000	CABLE B, THROTTLE
3	17950-MZ0-000	CABLE, CHOKE
4	17962-MZ0-671	LEVER, CHOKE
5	35013-MZ0-000	SWITCH, STARTER KILL
6	35020-MZ0-670	SWITCH, TURN SIGNAL
7	53145-MM8-000	GRIP ASSY., R.
8	53145-MM8-000	GRIP ASSY., R.
8	53165-MM8-000	GRIP, R. HANDLE
9	53166-KCR-000	GRIP, L. HANDLE
10	53167-MM8-000	CAP, GRIP END
11	88215-MAH-000	STAY
12	88310-MZ0-000	MIRROR, RR. VIEW
13	90314-ME8-000	NUT, LOCK
14	90314-375-000	NUT, LOCK
15	90690-GHB-701	CLIP, CABLE (17MM)
16	93500-05020-0B	SCREW, PAN (5X20)
17	93500-05022-0B	SCREW, PAN (5X22)
18	93500-05025-0B	SCREW, PAN (5X25)
19	93500-05032-0B	SCREW, PAN (5X32)



Catalog Title:  
**GL1500C/CT '97 - '00 VALKYRIE/VALKYRIE TOURER**

Block No.  
**F 04**

Block Title:  
**FR. BRAKE MASTER CYL.**

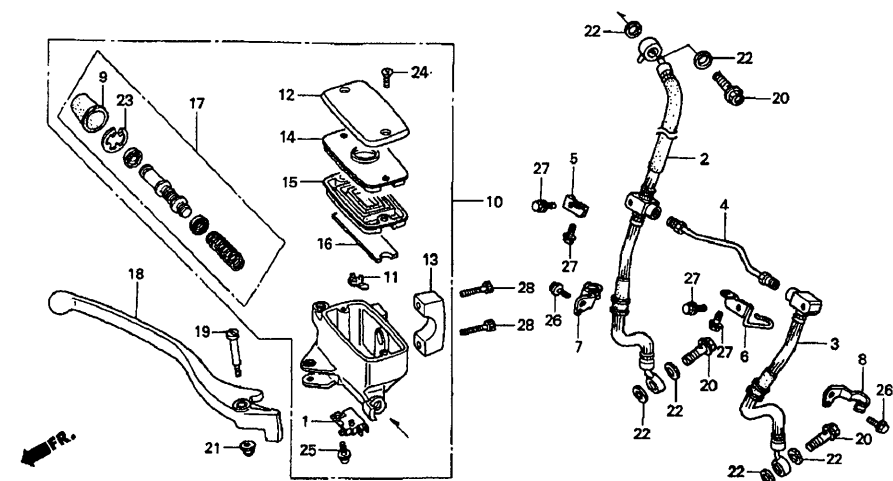


Ref. No.	Part No.	Description
1	35340-MM5-600	SWITCH, FR. STOP
2	45125-MZ0-003	HOSE, R. FR. BRAKE '97'98 CT'97'98
2	45125-MZ0-760	HOSE, R. FR. BRAKE '97'98 CT'97'98
2	45125-MZ0-A41	HOSE, R. FR. BRAKE '99'00 CT'99'00
2	45125-MZ0-A50	HOSE, R. FR. BRAKE '99'00 CT'99'00
3	45126-MZ0-003	HOSE L, FR. BRAKE '97'98 CT'97'98
3	45126-MZ0-760	HOSE, L. FR. BRAKE '97'98 CT'97'98
3	45126-MZ0-A41	HOSE, L. FR. BRAKE '99'00 CT'99'00
3	45126-MZ0-A50	HOSE, L. FR. BRAKE '99'00 CT'99'00
4	45135-MZ0-000	PIPE, FR. BRAKE
5	45155-MZ0-000	STAY, R. FR.
6	45156-MZ0-000	STAY, L. FR.
7	45157-MZ0-000	CLAMP, R. FR.
8	45158-MZ0-000	CLAMP, L. FR.
9	45504-410-003	BOOT
9	45504-MZ0-760	BOOT'99 CT'99
10	45510-MZ0-006	M/CYL SUB-ASSY, FR. '97'98 CT'97'98
10	45510-MZ0-A50	M/CYL SUB-ASSY, FR. '99 CT'99
10	45510-MZ0-A41	M/CYL SUB-ASSY, FR. '99'00 CT'99'00
11	45512-MA6-006	PROTECTOR '97 '98 '00 CT'97'99'00
11	45512-GW3-980	PROTECTOR '99, CT99
12	45513-MR1-006	CAP, MASTER CYLINDER
12	45513-MZ0-890	CAP, MASTER CYLINDER '99 CT'99
13	45517-MR1-671	HOLDER
13	45517-MZ0-760	HOLDER '99 CT'99

Catalog Title:  
**GL1500C/CT '97 - '00 VALKYRIE/VALKYRIE TOURER**

Block No.  
**F 04**

Block Title:  
**FR. BRAKE MASTER CYL.**



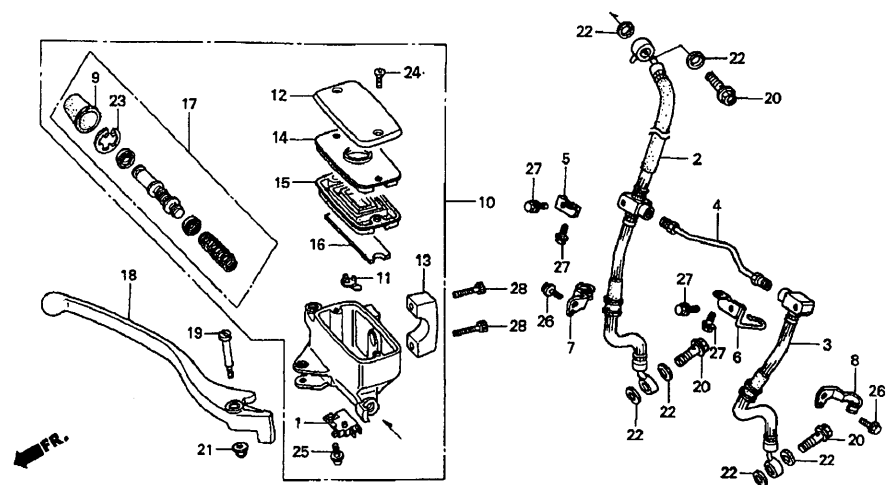
Ref. No.	Part No.	Description
14	45518-MM5-006	PLATE, DIAPHRAGM
14	45518-MZ0-760	PLATE, DIAPHRAGM '99 CT'99
15	45520-MM5-006	DIAPHRAGM
15	45520-MZ0-760	DIAPHRAGM '99 CT'99
16	45523-MN5-006	FLOAT, FR.
16	45523-MZ0-890	FLOAT, FR. '99 CT'99
17	45530-MA4-671	MASTER CYLINDER SET
17	45530-MZ0-760	MASTER CYLINDER SET '99 CT'99
18	53175-MR1-671	LEVER, R. HANDLEBAR
18	53175-MZ0-760	LEVER, R. HANDLE '99 CT'99
19	90114-MA5-671	BOLT, R.
19	90114-MZ0-760	BOLT, HANDLE LEVER '99 CT'99
20	90145-MS9-611	BOLT, OIL (10X22) '97 CT'97
20	90145-MS9-612	BOLT, OIL (10X22)
21	90201-415-000	NUT, CAP (6MM)
22	90545-300-000	WASHER, OIL BOLT
23	90651-MA5-671	CIRCLIP '97'98'00 CT'97/'98/'00
23	90651-MZ0-760	CIRCLIP (18MM) '99 CT'99
23	90651-377-003	CIRCLIP (18MM) '99 CT'99
24	93600-04012-1A	SCREW, FLAT (4X12)
25	93893-04012-07	SCREW-WASHER (4X12)
25	93893-04012-17	SCREW-WASHER (4X12)
26	96001-06010-02	BOLT, FLANGE (6X10)
27	96001-06012-07	BOLT, FLANGE (6X12)
28	96600-06022-10	BOLT, SOCKET (6X22)

Catalog Title:  
**GL1500C/CT '97 - '00 VALKYRIE/VALKYRIE TOURER**

Block No.  
**F 04**

Block Title:  
**FR. BRAKE MASTER CYL.**

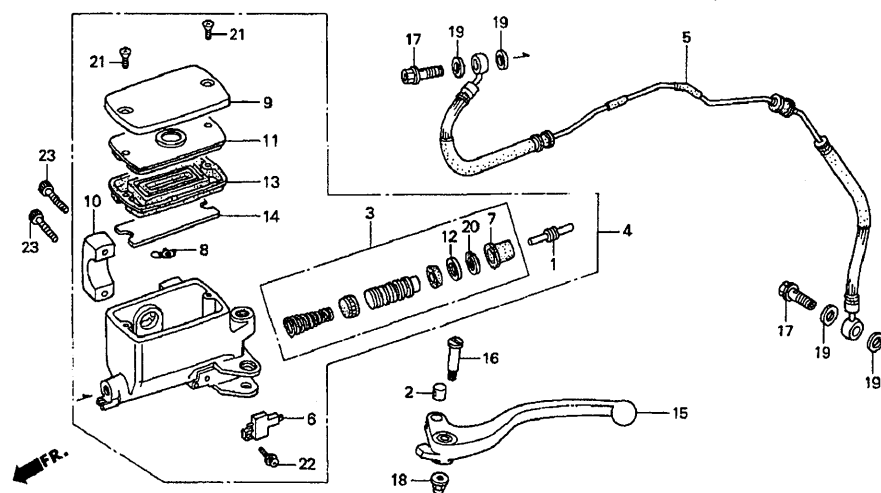
Ref. No.	Part No.	Description
28	96700-06022-10	BOLT, SOCKET (6X22)



Catalog Title:  
**GL1500C/CT '97 - '00 VALKYRIE/VALKYRIE TOURER**

Block No.  
**F 05**

Block Title:  
**CLUTCH MASTER CYLINDER**

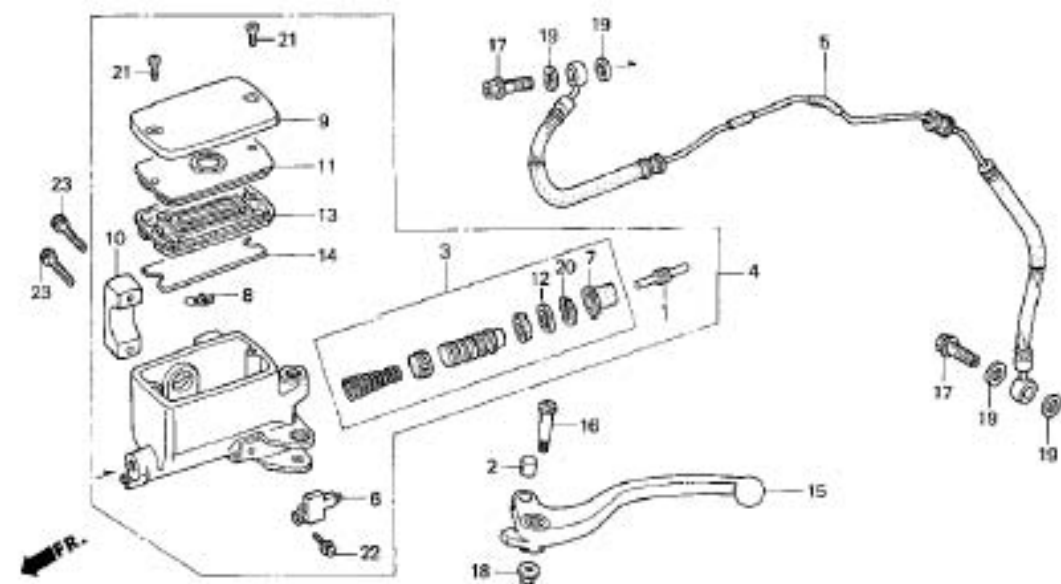


Ref. No.	Part No.	Description
1	22884-MB0-006	ROD, PUSH
1	22884-MZ0-760	ROD, PUSH '99 CT'99
2	22885-MB0-006	BUSH
2	22885-MZ0-760	BUSH '99 CT'99
3	22886-MB4-305	PISTON SET
3	22886-MZ0-760	PISTON SET '99 CT'99
4	22890-MZ0-006	M/CYL SUB-ASSY '97'98 CT'97/'98
4	22890-MZ0-A50	MASTER CYLINDER SUB-ASSY., CLU '99 CT'99
4	22890-MZ0-A41	M/CYL SUB-ASSY '99 '00 CT'99/'00
5	22900-MZ0-000	PIPE, CLUTCH '97'98 CT'97/'98
5	22900-MZ0-A40	HOSE, CLUTCH '99 CT'99
5	22900-MZ0-A41	PIPE, CLUTCH '99 '00 CT'99/'00
5	22900-MZ0-A50	PIPE, CLUTCH '00 CT'00
6	35330-MB0-003	SWITCH ASSY., CLUTCH
7	45504-410-003	BOOT
8	45512-MA6-006	PROTECTOR'97'98'00 CT'97'98'00
8	45512-GW3-980	PROTECTOR '99 CT'99
9	45513-MR1-006	CAP, MASTER CYLINDER
9	45513-MZ0-890	CAP, MASTER CYLINDER '99 CT'99
10	45517-MR1-671	HOLDER
10	45517-MZ0-760	HOLDER '99 CT'99
11	45518-MM5-006	PLATE, DIAPHRAGM
11	45518-MZ0-760	PLATE, DIAPHRAGM '99 CT'99

Catalog Title:  
GL1500C/CT '97 - '00 VALKYRIE/VALKYRIE TOURER

Block No.  
F 05

Block Title:  
CLUTCH MASTER CYLINDER



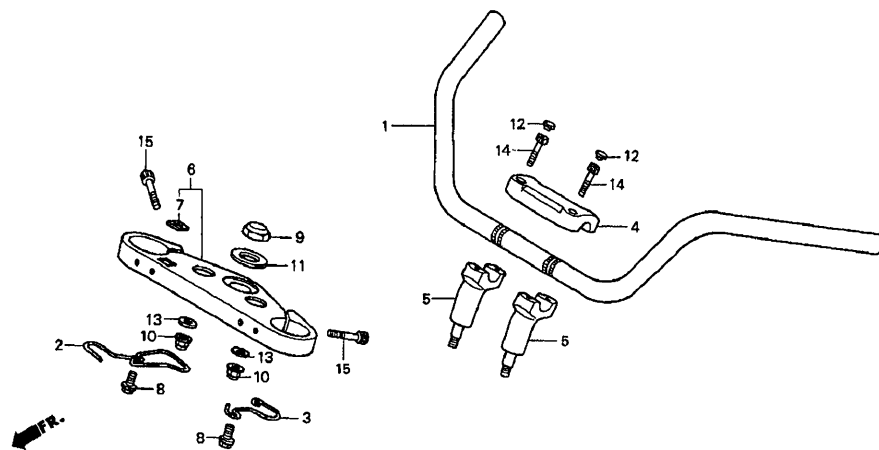
Ref. No.	Part No.	Description
12	45518-M80-006	PLATE, STOPPER
12	45518-MZ0-890	PLATE, STOPPER '99 CT'99
13	45520-MM5-006	DIAPHRAGM
13	45520-MZ0-760	DIAPHRAGM '99 CT'99
14	45523-MN5-006	FLOAT, FR.
14	45523-MZ0-890	FLOAT, FR. '99 CT'99
15	53178-MM5-006	LEVER, L. HANDLE
15	53178-MZ0-760	LEVER, L. HANDLE '99 CT'99
16	90114-MA5-671	BOLT, R.
16	90114-MZ0-760	BOLT HANDLE LEVER '99 CT'99
17	90145-MS9-611	BOLT, OIL (10X22)'97 CT'97
17	90145-MS9-612	BOLT, OIL (10X22)
18	90201-415-000	NUT, CAP (6MM)
19	90545-300-000	WASHER, OIL BOLT
20	90651-377-003	CIRCLIP (18MM)
21	93600-04012-1A	SCREW, FLAT (4X12)
22	93893-04012-07	SCREW-WASHER (4X12)
22	93893-04012-17	SCREW-WASHER (4X12)
23	96600-06022-10	BOLT, SOCKET (6X22)
23	96700-06022-10	BOLT, SOCKET (6X22)

Catalog Title:  
**GL1500C/CT '97 - '00 VALKYRIE/VALKYRIE TOURER**

Block No.  
**F 06**

Block Title:  
**HANDLEBAR / TOP BRIDGE**

Ref. No.	Part No.	Description
1	53100-MZ0-000	HANDLEBAR
2	53110-MZ0-000	GUIDE '97'98'99'00
3	53111-MZ0-000	GUIDE, CLUTCH HOSE '97'98'99'00
4	53131-MZ0-000	HOLDER, HANDLE
5	53231-MZ0-000	HOLDER, HANDLE
6	53300-MZ0-000	BRIDGE, FORK TOP
7	86150-MR1-760	EMBLEM, WING MARK
8	90123-KV0-000	BOLT, FLANGE (8X16) '97'98'99'00
9	90304-415-000	NUT, STEERING STEM
10	90306-KF0-003	NUT, FLANGE (12MM)
11	90503-283-000	WASHER
12	91455-MB0-010	CAP (8MM)
13	94101-12000	WASHER, PLAIN (12MM)
14	96700-08032-10	BOLT, SOCKET (8X32)
15	96700-10032-10	BOLT, SOCKET (10X32)

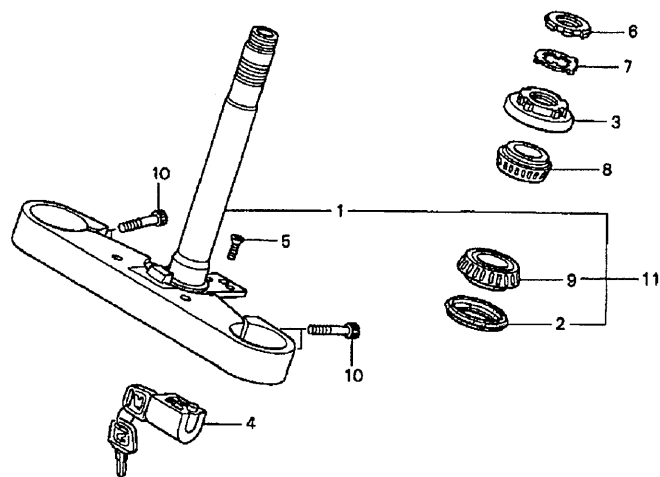


Catalog Title:  
**GL1500C/CT '97 - '00 VALKYRIE/VALKYRIE TOURER**

Block No.  
**F 07**

Block Title:  
**STEERING STEM**

Ref. No.	Part No.	Description
1	53200-MZ0-000	STEM, STEERING '97'98'99 CT'97'98'99
1	53200-MZ0-010	STEM, STEERING
2	53214-371-010	DUST SEAL
3	53220-422-000	THREAD (UPPER)
4	53600-086-007	LOCK, HANDLEBAR '97'98 CT'97'98
4	53600-GCN-003	LOCK, HANDLEBAR '99'00 CT'99'00
5	90164-028-000	SCREW (6X12)
6	90302-425-830	THREAD
7	90506-425-830	WASHER, LOCK
8	91015-425-831	BEARING, HEAD PIPE
8	91015-425-832	BEARING, HEAD PIPE
9	91016-371-000	BEARING, HEAD PIPE
10	96600-08032-10	BOLT, SOCKET (8X32)
11	53219-MZ0-A80	STEM SUB-ASSY. '00 CT'00



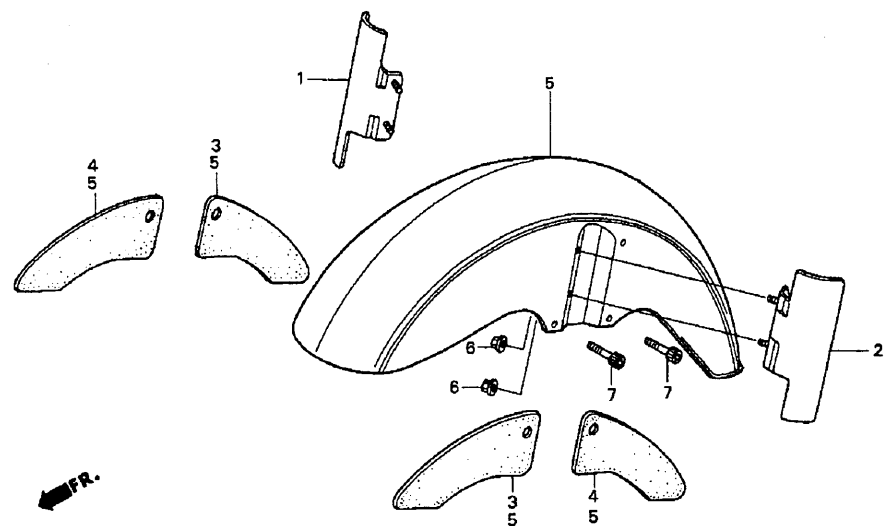
←FR.

Catalog Title:  
**GL1500C/CT '97 - '00 VALKYRIE/VALKYRIE TOURER**

Block No.  
**F 08**

Block Title:  
**FRONT FENDER**

Ref. No.	Part No.	Description
1	61101-MZ0-000	COVER, R. FR. FENDER
2	61102-MZ0-000	COVER, L. FR. FENDER
3	61103-MZ0-300	PROTECTOR A, FR. '97'98 CT'97'98
3	61103-MZ0-A40	PROTECTOR A, FR. '99'00 CT'99'00
4	61104-MZ0-300	PROTECTOR B, FR. '97'98 CT'97'98
4	61104-MZ0-A40	PROTECTOR B, FR.'99'00 CT'99'00
5	61110-MZ0-670ZB	FENDER SET *P17A*'97
5	61110-MZ0-670ZG	FENDER SET *NH1Q*'97
5	61110-MZ0-670ZA	FENDER SET *R191A* '97 CT'97
5	61110-MZ0-670ZH	FDR ST, FR. *NH1* '97 CT'97
5	61110-MZ0-A00ZA	FDR ST, FR. *NH1* '97'98 CT'97'98
5	61110-MZ0-A40ZJ	FDR ST *NH1* (TYPE5)
5	61110-MZ0-B00ZA	FDR ST, FR. *NH1*
5	61110-MZ0-A00ZC	FENDER SET *PB255Q* '98
5	61110-MZ0-A00ZD	FENDER SET *Y146Q* '98
5	61110-MZ0-A40ZM	FENDER SET *PB255Q* '98
5	61110-MZ0-A00ZB	FENDER SET *R223Q* '98 CT'98
5	61110-MZ0-A40ZL	FENDER SET *R223Q* '98 CT'98/'99
5	61110-MZ0-A40ZD	FDR ST, FR. (TYPE8) '98 '99
5	61110-MZ0-A40ZH	FENDER SET *NH10* '99
5	61110-MZ0-A40ZK	FENDER SET *Y146Q* '99
5	61110-MZ0-A40ZG	FENDER SET *NH1E* '99 CT'99
5	61110-MZ0-670ZJ	FENDER SET *NH1G* CT'97
5	61110-MZ0-A00ZE	FENDER SET *NH1G* CT'98
5	61110-MZ0-A40ZB	FDR ST, FR. (TYPE6) CT'99

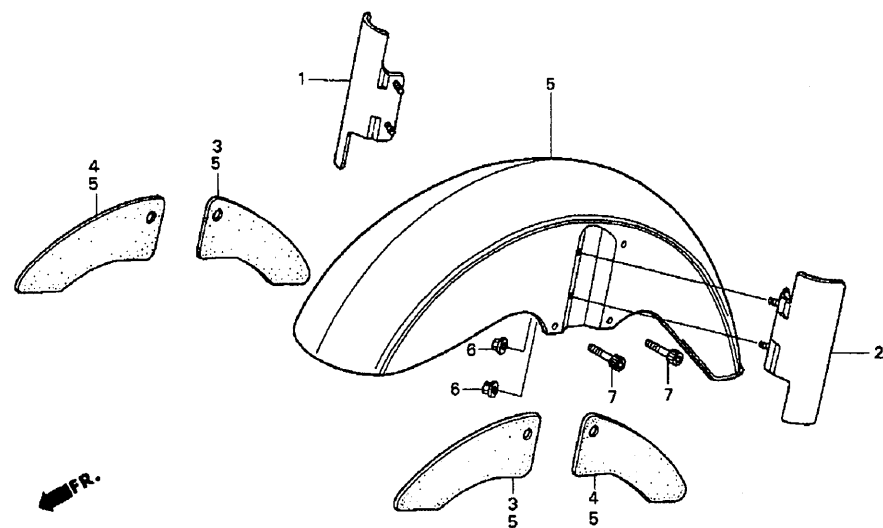


Catalog Title:  
**GL1500C/CT '97 - '00 VALKYRIE/VALKYRIE TOURER**

Block No.  
**F 08**

Block Title:  
**FRONT FENDER**

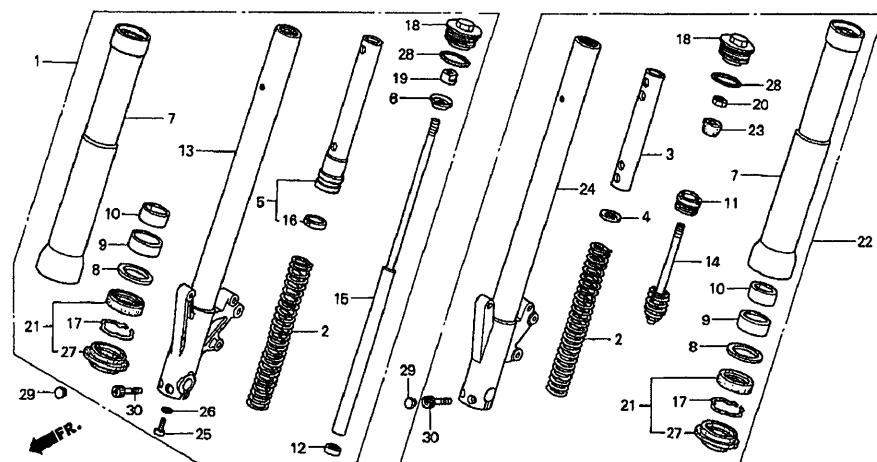
Ref. No.	Part No.	Description
5	61110-MZ0-A80ZF	FENDER SET *NH1Y* '00
5	61110-MZ0-A80ZA	FDR ST, FR. (TYPE13) '00 CT'00
6	94050-06000	NUT, FLANGE (6MM)
7	96600-06032-00	BOLT, SOCKET (6X32)



Catalog Title:  
**GL1500C/CT '97 - '00 VALKYRIE/VALKYRIE TOURER**

Block No.  
**F 09**

Block Title:  
**FRONT FORK**



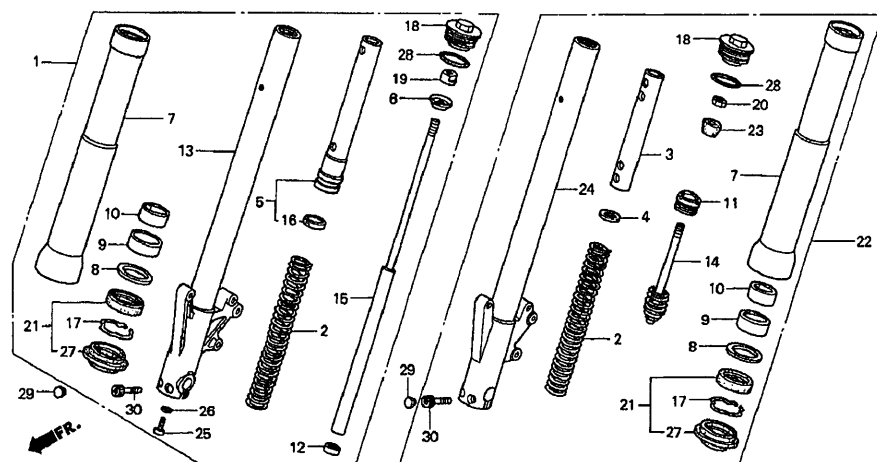
Ref. No.	Part No.	Description
1	51400-MZ0-003	FORK ASSY., R. FR.
2	51401-MZ0-003	SPRING, FR. FORK
3	51402-MZ0-003	COLLAR, SPRING
4	51403-MZ0-003	PLATE, SPRING JOINT
5	51404-MZ0-003	COLLAR, SPRING
6	51408-MZ0-003	STOPPER, SPRING SEAT
7	51410-MZ0-003	TUBE (OUTER)
8	51412-KZ3-003	RING, BACK-UP
9	51414-MT7-003	BUSH, GUIDE
10	51415-KZ3-701	BUSH, SLIDER
11	51415-MZ0-003	BOLT, FORK PIPE
12	51421-MR8-901	PLATE, CENTER
13	51425-MZ0-003	PIPE, R. SLIDE
14	51426-MZ0-003	ROD
15	51430-MZ0-003	DAMPER, FR.
16	51435-KZ3-701	RING, PISTON
17	51447-KZ3-003	RING
18	51450-MZ0-003	BOLT, FR. FORK
19	51451-KAE-871	NUT, LOCK
20	51451-MAJ-G41	NUT, HEX. (10MM)
21	51490-MW0-003	SEAL SET, FR. FORK
22	51500-MZ0-003	FORK ASSY., L. FR.
23	51517-MZ0-003	RUBBER, STOPPER
24	51525-MZ0-003	PIPE, L. SLIDE
25	90116-KV3-701	BOLT, SOCKET (8MM)

Catalog Title:  
**GL1500C/CT '97 - '00 VALKYRIE/VALKYRIE TOURER**

Block No.  
**F 09**

Block Title:  
**FRONT FORK**

Ref. No.	Part No.	Description
26	90544-283-000	WASHER (8MM)
27	91254-KZ3-003	DUST SEAL
28	91356-KZ3-003	O-RING (44.7X2.4)
29	91455-MB0-010	CAP (8MM)
30	96600-08030-00	BOLT, SOCKET (8X30)

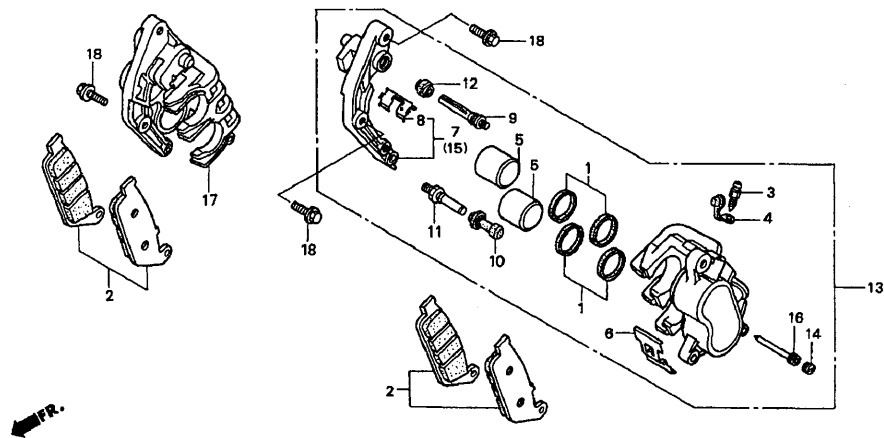


Catalog Title:  
**GL1500C/CT '97 - '00 VALKYRIE/VALKYRIE TOURER**

Block No.  
**F 10**

Block Title:  
**FRONT BRAKE CALIPER**

Ref. No.	Part No.	Description
1	06431-MA3-405	SEAL SET, PISTON
1	06431-MZ0-760	SEAL SET, PISTON '98'99'00 CT'98'99'00
2	06455-MV4-405	PAD SET, FR.
2	06455-MZ0-760	PAD SET, FR. '98'99'00 CT'98'99'00
3	43352-HC5-971	SCREW, BLEEDER
3	43352-MZ0-760	SCREW, BLEEDER '98'99'00 CT'98'99'00
4	43353-461-771	CAP, BLEEDER '97 CT'97
4	43353-KBP-930	CAP, BLEEDER '98'99'00 CT'98'99'00
5	45107-ML4-006	PISTON
5	45107-MZ0-760	PISTON '98'99'00 CT'98'99'00
6	45108-ML7-922	SPRING, PAD
6	45108-MZ0-760	SPRING, PAD '98'99'00 CT'98'99'00
7	45110-MZ0-006	BRACKET, L. FR.
7	45110-MZ0-760	BRACKET, L. FR. '98'99'00 CT'98'99'00
8	45112-MS9-611	RETAINER
9	45131-ML7-921	BOLT A, PIN
10	45131-166-016	PIN, BOLT
11	45132-166-016	BUSH, PIN
12	45133-MA3-006	BOOT B '97 CT'97
12	45133-MA6-006	BOOT '98'99'00 CT'98'99'00
13	45150-MZ0-006	CALIPER SUB-ASSY.

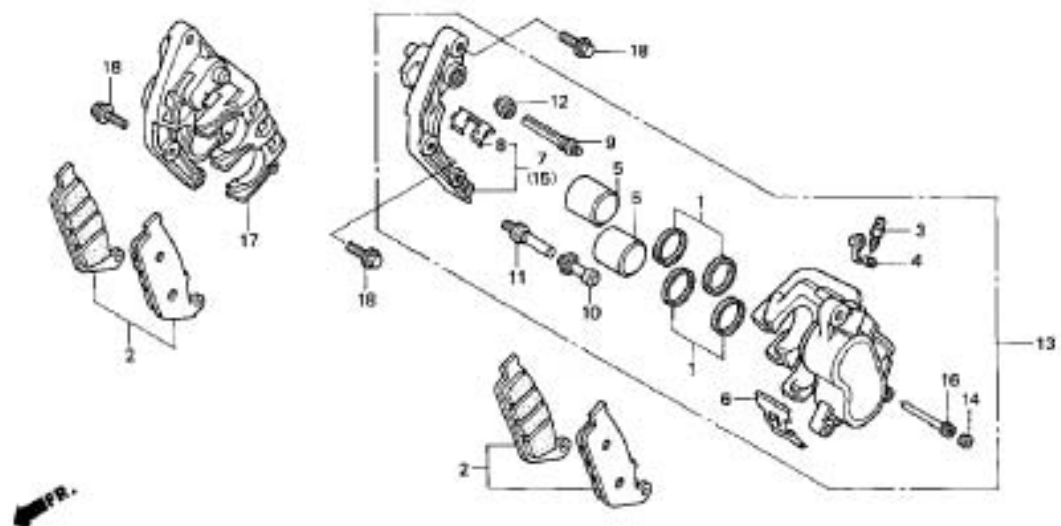


Catalog Title:  
GL1500C/CT '97 - '00 VALKYRIE/VALKYRIE TOURER

Block No.  
F 10

Block Title:  
FRONT BRAKE CALIPER

Ref. No.	Part No.	Description
13	45150-MZ0-760	CALIPER SUB-ASSY. '98/99/00 CT98/99/00
14	45203-MG3-016	PLUG, PIN
14	45203-GW3-980	PLUG, PIN '98/99/00 CT98/99/00
15	45210-MZ0-006	BRACKET, R. FR.
15	45210-MZ0-760	BRACKET, R. FR. '98/99/00 CT98/99/00
16	45215-ML7-922	PIN, HANGER
16	45215-MZ0-760	PIN, HANGER '98/99/00 CT98/99/00
17	45250-MZ0-006	CALIPER SUB-ASSY.
17	45250-MZ0-760	CALIPER SUB-ASSY. '98/99/00 CT98/99/00
18	90101-MZ8-000	BOLT (8X32)

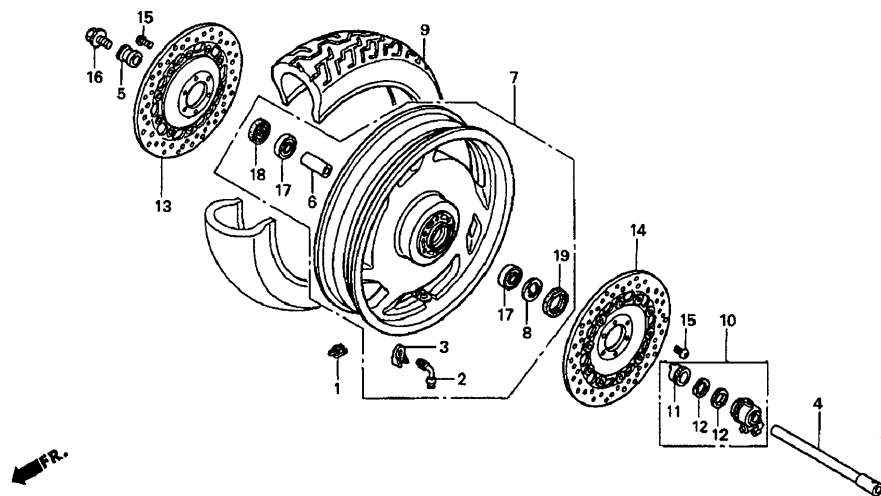


Catalog Title:  
**GL1500C/CT '97 - '00 VALKYRIE/VALKYRIE TOURER**

Block No.  
**F 11**

Block Title:  
**FRONT WHEEL**

Ref. No.	Part No.	Description
1	42704-MB0-000	WEIGHT (10G)
1	42705-MB0-000	WEIGHT (20G)
1	42706-MB0-000	WEIGHT (30G)
2	42753-MN5-004	VALVE, RIM
3	42754-MN5-000	HOLD, RIM VALVE
4	44301-MZ0-000	AXLE, FR. WHEEL '97 '98 CT'97/'98
4	44301-MZ0-A40	AXLE, FR. WHEEL '99 '00 CT'99 '00
5	44311-ML7-000	COLR, FR. WHEEL SIDE
6	44620-MZ0-010	COLLAR, FR.
7	44650-MZ0-670	WHEEL SUB-ASSY., FR. '97 CT'97
7	44650-MZ0-671	WHEEL SUB-ASSY., FR. '97'98'99 CT'97/'98/'99
7	44650-MZ0-672	WHEEL SUB-ASSY., FR. '97'98'99 CT'97/'98/'99
7	44650-MZ0-J30	WHEEL SUB-ASSY., FR. '00 CT'00
7	44650-MZ0-020	WHEEL SUB-ASSY, FR. '00 CT'00
8	44680-ML7-000	RETAINER, GEAR BOX
9	44711-MZ0-014	TIRE (150/80R17) '97 CT'97
9	44711-MZ0-A01	TIRE (150/80R17)
10	44800-MR1-003	BOX ASSY.
11	44806-MR1-003	GEAR, SPEEDOMETER
12	44809-ML7-003	WASHER
13	45120-MZ0-003	DISK, R. FR. BRAKE
14	45220-MZ0-003	DISK, L. FR. BRAKE
15	90105-KN5-000	BOLT, DISK (6X17) '97 CT'97
15	90106-MBB-000	BOLT (6X17) '98'99'00 CT'98'99'00



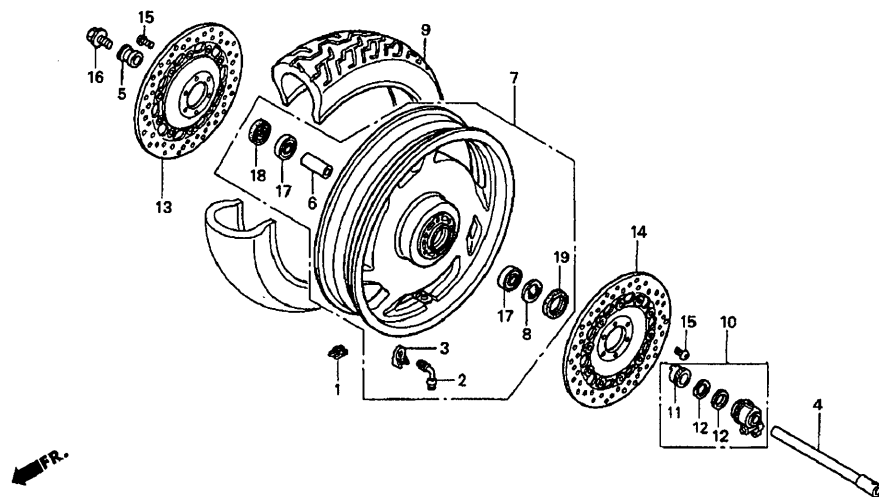
←FR.

Catalog Title:  
**GL1500C/CT '97 - '00 VALKYRIE/VALKYRIE TOURER**

Block No.  
**F 11**

Block Title:  
**FRONT WHEEL**

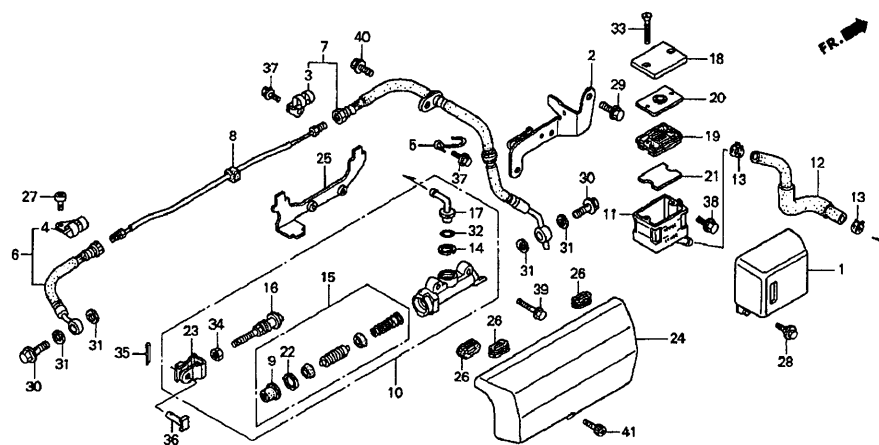
Ref. No.	Part No.	Description
16	90305-ML7-000	BOLT, FR. AXLE
17	91054-MAM-003	BEARING (6004UU) '97 CT'97
17	91054-MN8-741	BEARING (6004) '97 CT'97
17	91052-MZ2-A21	BEARING (6204) '98 '99 CT'98'99
17	91052-MBR-003	BEARING (6204) '00 CT'00
18	91257-KA3-712	DUST SEAL (28X42X8) '97
18	91257-KA3-711	DUST SEAL (28X42X8) '97 CT'97
18	91252-MC4-003	OIL SEAL (28X47.2X7) '98'99'00 CT'98'99'00
19	91258-ML7-003	DUST SEAL (45X55X5)



Catalog Title:  
**GL1500C/CT '97 - '00 VALKYRIE/VALKYRIE TOURER**

Block No.  
**F 12**

Block Title:  
**RR. BRAKE MASTER CYL.**

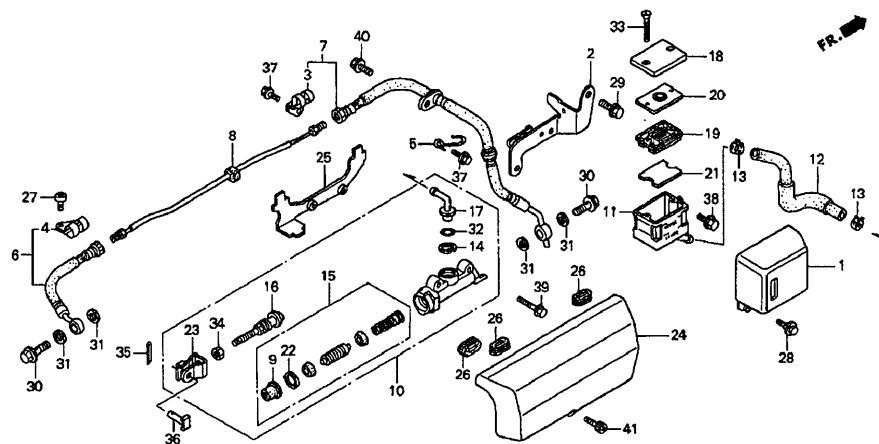


Ref. No.	Part No.	Description
1	21341-MZ0-000	COVER, RR. '97'98 CT'97/98
1	21341-MZ0-A40	COVER, RR.
2	21342-MZ0-000	BRACKET, RR.
3	43156-MN5-000	CLAMP, RR.
4	43156-MZ0-000	CLAMP A, RR.
5	43157-MZ0-000	CLAMP B, RR. '97 CT'97
5	43157-MZ0-A00	CLAMP B, RR. '98'99'00 CT'98/99/00
6	43310-MZ0-003	HOSE A, RR. BRAKE '97'98 CT'97'98
6	43310-MZ0-760	HOSE A, RR. BRAKE '97 '98 CT '97 CT'98
6	43310-MZ0-A50	HOSE A, RR. BRAKE '99'00 CT'99CT'00
7	43313-MZ0-003	HOSE B, RR. BRAKE '97'98 CT'97'98
7	43313-MZ0-760	HOSE B, RR. BRAKE '97'98 CT'97'98
7	43313-MZ0-A41	HOSE B, RR. BRAKE '99'00 CT'99CT'00
7	43313-MZ0-A50	HOSE B, RR. BRAKE '99'00 CT'99CT'00
8	43314-MZ0-000	PIPE A, RR. BRAKE
9	43504-MB2-006	BOOT
9	43504-MZ0-760	BOOT
10	43510-MZ0-006	M/CYL SUB-ASSY, RR.
10	43510-MZ0-760	M/CYL SUB-ASSY, RR.
11	43511-KV3-831	CUP, OIL
11	43511-MZ0-760	CUP, OIL
12	43512-MZ0-000	HOSE, RR.
13	43514-KS6-701	CLAMP
13	43514-MZ0-760	CLAMP
14	43517-KS6-701	CIRCLIP, RR.

Catalog Title:  
**GL1500C/CT '97 - '00 VALKYRIE/VALKYRIE TOURER**

Block No.  
**F 12**

Block Title:  
**RR. BRAKE MASTER CYL.**



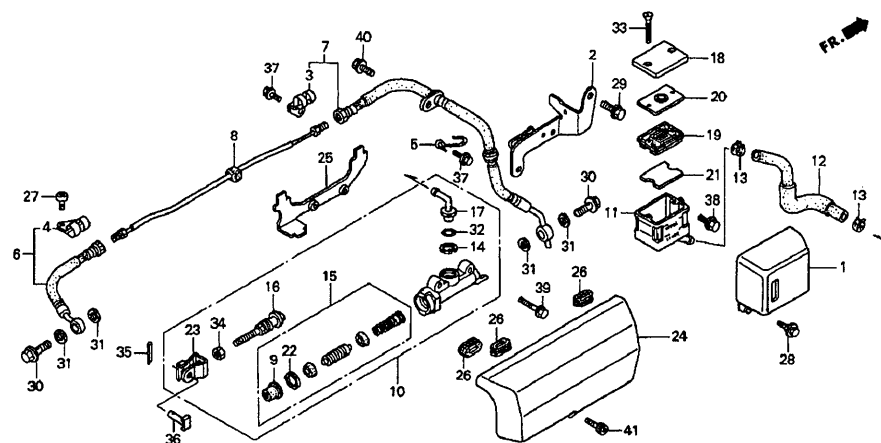
Ref. No.	Part No.	Description
14	43517-MZ0-760	CIRCLIP, RR.
15	43520-MB2-305	PISTON SET
15	43520-MZ0-760	PISTON SET
16	43530-MJ0-006	ROD, PUSH
16	43530-MZ0-760	ROD, PUSH
17	45503-KV3-006	CONNECTOR
17	45503-MZ0-760	CONNECTOR
18	45513-KK1-771	CAP, MASTER CYLINDER
18	45513-MZ0-760	CAP, MASTER CYLINDER
19	45520-GW3-980	DIAPHRAGM
19	45520-MG7-006	DIAPHRAGM
20	45521-GW3-980	PLATE, DIAPHRAGM
20	45521-HA2-006	PLATE, DIAPHRAGM
21	45523-HC4-841	FLOAT, FR.
21	45523-MZ0-760	FLOAT, FR.
22	46182-MZ0-760	CIRCLIP
22	46182-500-013	CIRCLIP
23	46504-KV6-702	JOINT, BRAKE ROD
23	46504-MZ0-760	JOINT, BRAKE ROD
24	46550-MZ0-000	COVER, RR.
25	46551-MZ0-000	BRACKET, RR. '97 CT'97
25	46551-MZ0-A00	BRACKET, RR. '98TO'00 CT'98 TO CT'00
26	83124-MN5-000	RUBBER
27	90106-MZ0-000	BOLT, SOCKET (6X12)
28	90113-KW3-000	BOLT, FLANGE (6MM)

Catalog Title:  
**GL1500C/CT '97 - '00 VALKYRIE/VALKYRIE TOURER**

Block No.  
**F 12**

Block Title:  
**RR. BRAKE MASTER CYL.**

Ref. No.	Part No.	Description
29	90125-KR3-000	BOLT (8X12)
30	90145-MS9-611	BOLT, OIL (10X22) '97 CT'97
30	90145-MS9-612	BOLT, OIL (10X22)
31	90545-300-000	WASHER, OIL BOLT
32	91212-MZ0-760	O-RING (14.8X2.4)
32	91212-422-006	O-RING (14.8X2.4)
33	93600-04040-1G	SCREW, FLAT (4X40)
34	94002-08000-0S	NUT, HEX. (8MM)
35	94201-20150	PIN, COTTER (2.0X15)
36	95015-54000	PIN D, JOINT
37	95701-06012-07	BOLT, FLANGE (6X12)
38	95701-06016-00	BOLT, FLANGE (6X16)
39	95701-06028-00	BOLT, FLANGE (6X28)
40	95701-08016-07	BOLT, FLANGE (8X16)
41	96700-06010-00	BOLT, SOCKET (6X10)

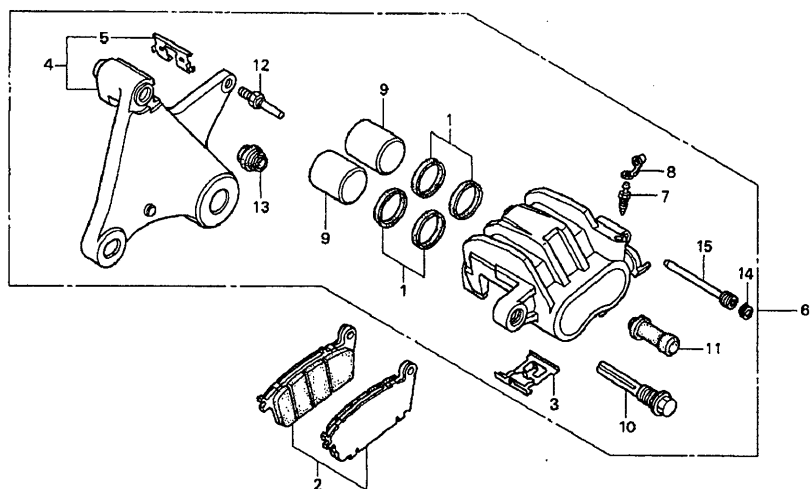


Catalog Title:  
**GL1500C/CT '97 - '00 VALKYRIE/VALKYRIE TOURER**

Block No.  
**F 13**

Block Title:  
**REAR BRAKE CALIPER**

Ref. No.	Part No.	Description
1	06431-MA3-405	SEAL SET, PISTON
1	06431-MZ0-760	SEAL SET, PISTON '98 TO '00 CT'98 TO CT'00
2	06435-MZ0-006	PAD SET, RR.
2	06435-MZ0-760	PAD SET, RR.'98 TO '00 CT'98 TO CT'00
3	43108-MT3-006	SPRING, PAD
3	43108-MZ0-760	SPRING, PAD'98 TO '00 CT'98 TO CT'00
4	43110-MZ0-006	BRACKET, RR.
4	43110-MZ0-760	BRACKET, RR.'98 TO '00 CT'98 TO CT'00
5	43112-MT3-006	RETAINER
6	43150-MZ0-006	CALIPER SUB-ASSY.
6	43150-MZ0-760	CALIPER SUB-ASSY. '98 TO '00 CT'98 TO CT'00
7	43352-HC5-971	SCREW, BLEEDER
8	43353-461-771	CAP, BLEEDER '97 CT'97
8	43353-KBP-930	CAP, BLEEDER '98 TO '00 CT'98 TO CT'00
9	45107-ML4-006	PISTON
10	45131-MA3-006	PIN, BOLT '97 CT'97
10	45131-MZ0-760	PIN, BOLT '98 TO '00 CT'98 TO CT'00
10	45131-166-016	PIN, BOLT '98 TO '00 CT'98 TO CT'00
11	45132-166-016	BUSH, PIN
12	45131-166-016	PIN, BOLT
13	45133-MA3-006	BOOT B '97 CT'97

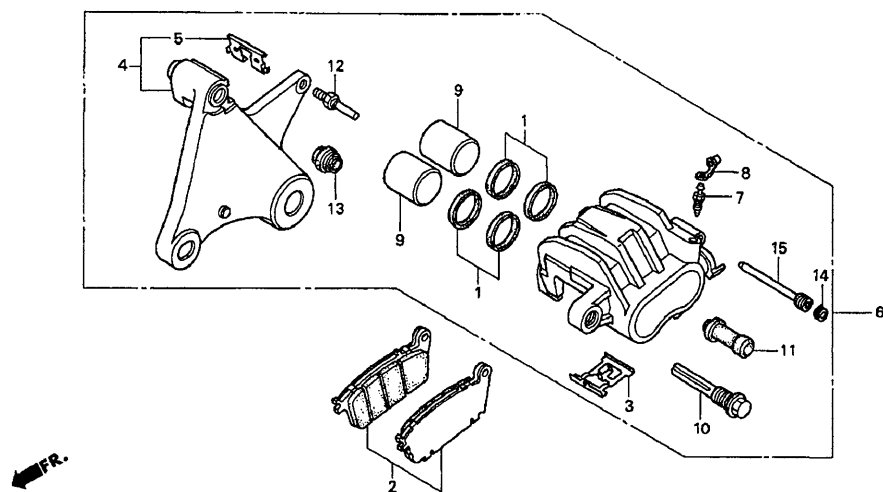


Catalog Title:  
**GL1500C/CT '97 - '00 VALKYRIE/VALKYRIE TOURER**

Block No.  
**F 13**

Block Title:  
**REAR BRAKE CALIPER**

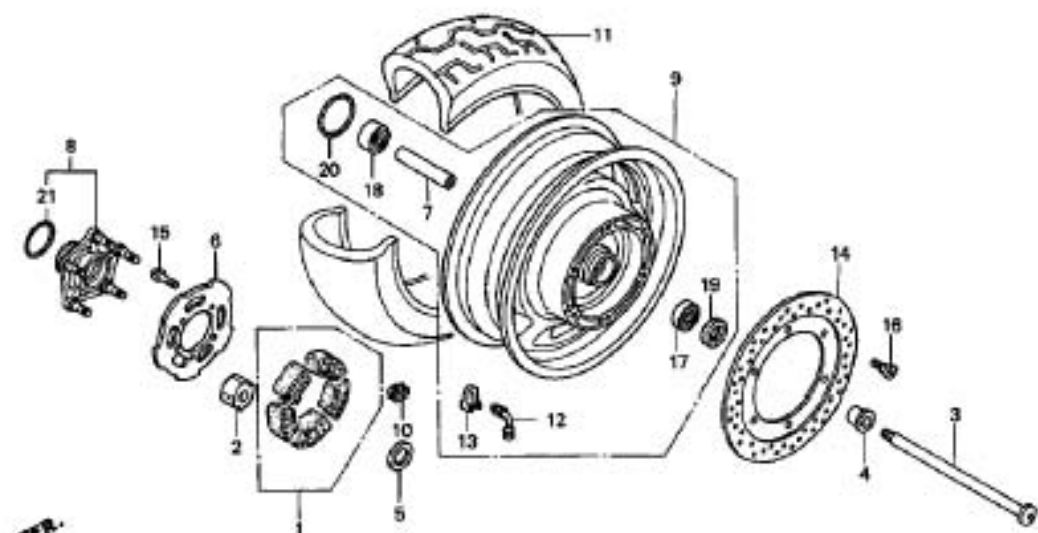
Ref. No.	Part No.	Description
13	45133-MA6-006	BOOT '98 TO '00 CT'98 TO CT'00
13	45139-GW3-980	BOOT'98 TO '00 CT'98 TO CT'00
14	45203-MG3-016	PLUG, PIN
14	45203-GW3-980	PLUG, PIN'98 TO '00 CT'98 TO CT'00
15	45215-HE0-016	PIN, HANGER
15	45215-MZ0-890	PIN, HANGER'98 TO '00 CT'98 TO CT'00



Catalog Title:  
GL1500C/CT '97 - '00 VALKYRIE/VALKYRIE TOURER

Block No.  
F 14

Block Title:  
REAR WHEEL



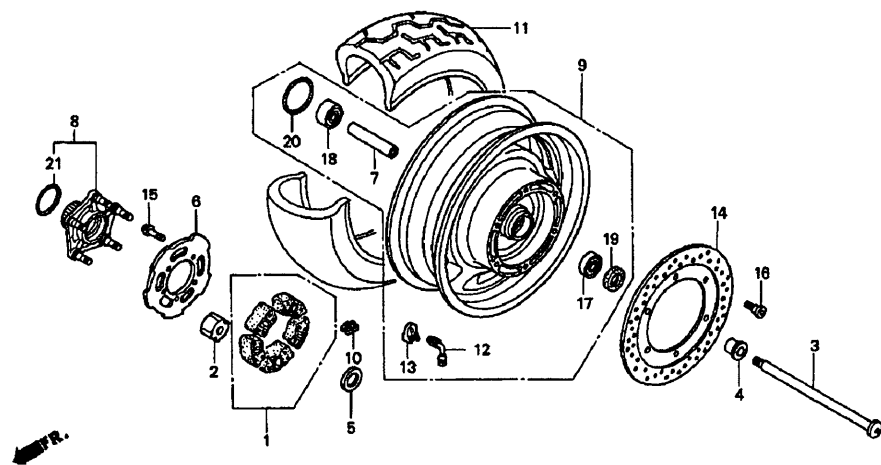
Ref. No.	Part No.	Description
1	06410-MZ0-A00	DAMPER SET, WHEEL '97 '98 CT'97 CT'98
1	06410-MBH-000	DAMPER SET, WHEEL '99 '00 CT'99 CT'00
2	41242-MR5-000	PIECE, DAMPER WHEEL
3	42301-MZ0-000	AXLE, RR. WHEEL '97TO '99 CT'97 TO '99
3	42301-MZ0-A80	AXLE, RR. WHEEL '00 CT'00
4	42313-422-000	COLLAR, RR.
5	42616-MAJ-G20	WASHER, THRUST
6	42617-MT8-000	HOLDER, DAMPER
7	42620-MZ1-000	COLLAR, RR.
8	42630-MT8-305	FLANGE SET
9	42650-MZ0-670	WHEEL SUB-ASSY., RR. '97TO '99 CT'97 TO '99
9	42650-MBY-670	WHEEL SUB-ASSY., RR. '00 CT'00
10	42704-MB0-000	WEIGHT (10G)
10	42705-MB0-000	WEIGHT (20G)
10	42706-MB0-000	WEIGHT (30G)
11	42711-MZ0-014	TIRE (180/70R16) '97 CT'97
11	42711-MZ0-A01	TIRE (180/70R16)
12	42753-MN5-004	VALVE, RIM
13	42754-MN5-000	HOLD, RIM VALVE
14	43251-MT8-000	DISK, RR. BRAKE '97TO '99 CT'97 TO '99
14	43251-MBY-671	DISK, RR. BRAKE '00 CT'00
15	90105-KN5-000	BOLT, DISK (6X17) '97 CT'97
15	90106-MBB-000	BOLT (6X17) '98TO '00 CT'98 TO '00
16	90105-KR3-000	BOLT, FR. (8X24) '97 CT'97
16	90105-MBB-000	BOLT (8X24) '98TO '00 CT'98 TO '00

Catalog Title:  
**GL1500C/CT '97 - '00 VALKYRIE/VALKYRIE TOURER**

Block No.  
**F 14**

Block Title:  
**REAR WHEEL**

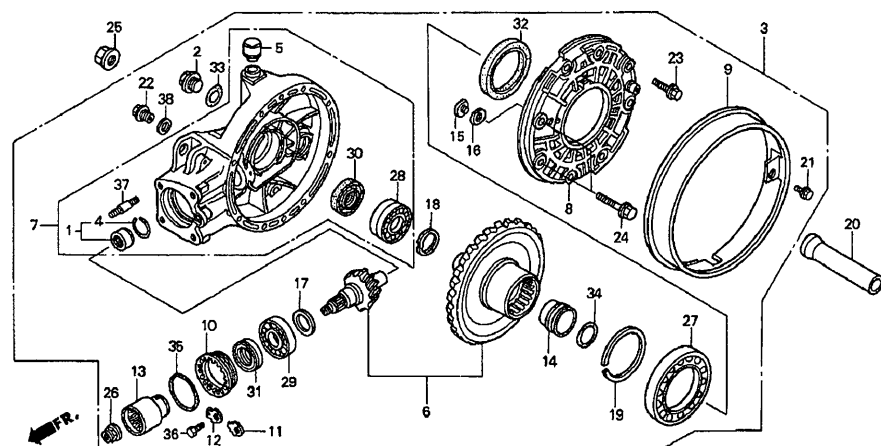
Ref. No.	Part No.	Description
17	91052-MAE-004	BEARING (6204UU)
18	91053-MN5-003	BEARING (20X47X20.6)
19	91253-443-761	DUST SEAL (30X47X8)
19	91253-443-762	DUST SEAL (30X47X8)
20	91302-MA6-003	O-RING (61X2)
21	91358-MG9-004	O-RING (50.5X3.5) '97 CT'97
21	91358-MG9-003	O-RING (50.5X3.5)



Catalog Title:  
**GL1500C/CT '97 - '00 VALKYRIE/VALKYRIE TOURER**

Block No.  
**F 15**

Block Title:  
**FINAL DRIVEN GEAR**

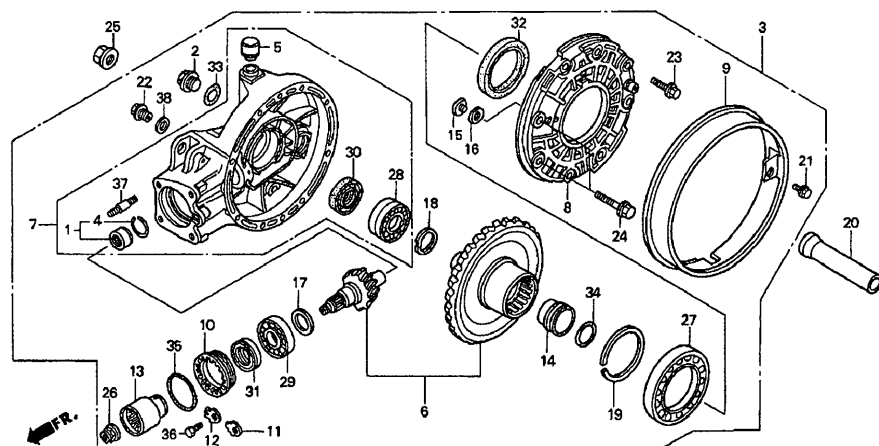


Ref. No.	Part No.	Description
1	06910-MZ0-000	BEARING SET, NEEDLE
2	12361-035-000	CAP, VALVE ADJ.
2	12361-300-000	CAP, VALVE ADJ.
2	12361-371-980	CAP, VALVE ADJ.
3	41300-MZ0-000	GEAR ASSY., FINAL '97 TO '99 CT '97 TO '00
3	41300-MZ0-A80	GEAR ASSY., FINAL '00
4	41305-MB4-770	RING, STOPPER
5	41306-MB0-010	CAP, BREATHER
6	41310-MZ0-000	GEAR SET, FINAL
7	41311-MZ0-000	CASE SUB-ASSY. '97 TO '99 CT '97 TO '00
7	41311-MZ0-A80	CASE SUB-ASSY. '00
8	41321-MN5-000	COVER, GEAR CASE
9	41324-MAJ-G00	PLATE, DUST GUARD
10	41331-MN5-000	RETAINER, BEARING
11	41332-415-000	LOCK A, BEARING ADJ.
12	41333-415-000	LOCK B, BEARING ADJ.
13	41410-MN5-000	JOINT, PINION
14	41433-MG9-000	HOLDER, O-RING
15	41436-MB0-310	PIN
16	41437-MB0-310	SHIM A (0.10)
16	41438-MB0-310	SHIM B (0.15)
17	41450-MG9-000	SHIM A (1.32)
17	41451-MG9-000	SHIM B (1.38)
17	41452-MG9-000	SHIM C (1.44)
17	41453-MG9-000	SHIM D (1.50)

Catalog Title:  
**GL1500C/CT '97 - '00 VALKYRIE/VALKYRIE TOURER**

Block No.  
**F 15**

Block Title:  
**FINAL DRIVEN GEAR**



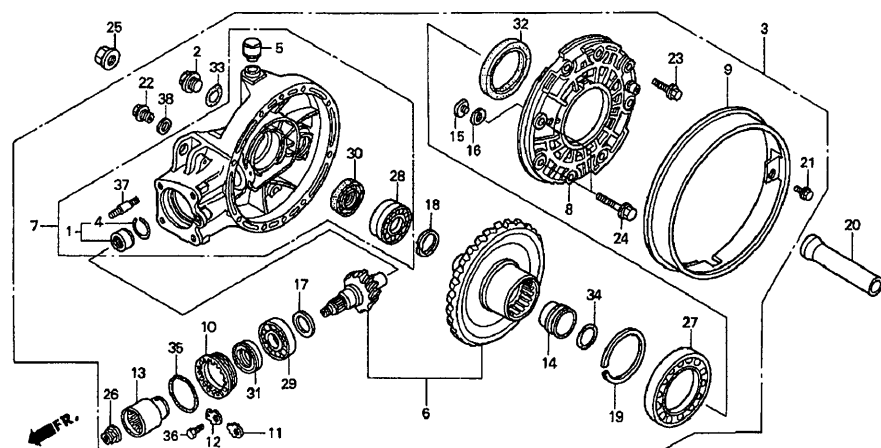
Ref. No.	Part No.	Description
17	41454-MG9-000	SHIM E (1.56)
17	41455-MG9-000	SHIM F (1.62)
17	41456-MG9-000	SHIM G (1.68)
18	41510-MB0-003	WASHER (35X40)
19	41530-MG9-000	SPACER A (1.82)
19	41531-MG9-000	SPACER B (1.88)
19	41532-MG9-000	SPACER C (1.94)
19	41533-MG9-000	SPACER D (2.00)
19	41534-MG9-000	SPACER E (2.06)
19	41535-MG9-000	SPACER F (2.12)
19	41536-MG9-000	SPACER G (2.18)
19	41537-MG9-000	SPACER H (2.24)
19	41538-MG9-000	SPACER I (2.30)
20	42625-MW5-000	COLLAR B, RR.
21	90013-883-000	BOLT (6X12) (CT200)
22	90081-MC7-000	BOLT, PLUG (14MM)
23	90133-MB0-000	BOLT, FLANGE (8X27)
24	90134-HA0-000	BOLT, FLANGE (10X35)
25	90306-MN5-003	NUT, FLANGE (18MM)
26	90381-MT3-000	NUT, HEX. (16MM)
27	91051-MN5-003	BEARING (65X100X11)
28	91052-MN5-003	BEARING (35X62X18)
29	91061-MT3-003	BEARING (QJ3/28V1)
30	91261-MY3-003	OIL SEAL (35X54X8)
31	91262-MY3-003	OIL SEAL (39X56X7)

Catalog Title:  
**GL1500C/CT '97 - '00 VALKYRIE/VALKYRIE TOURER**

Block No.  
**F 15**

Block Title:  
**FINAL DRIVEN GEAR**

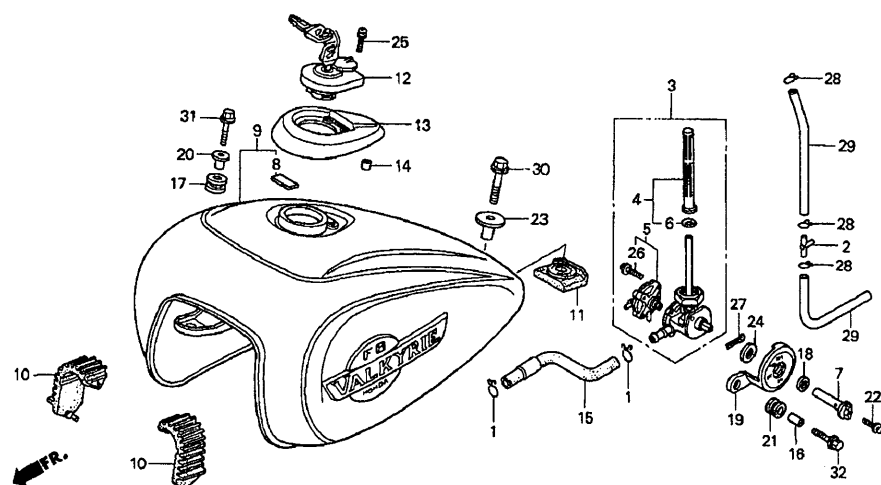
Ref. No.	Part No.	Description
32	91265-MY3-003	OIL SEAL (65X85X7)
33	91302-001-020	O-RING (30.8MM)
34	91356-MG9-003	O-RING (39.5X2.4)
35	91359-MG9-003	O-RING (64.5X3.5)
36	92101-06012-0A	BOLT, HEX. (6X12)
37	92900-10032-0E	BOLT, STUD (10X32)
38	94109-14000	WASHER (14MM)



Catalog Title:  
**GL1500C/CT '97 - '00 VALKYRIE/VALKYRIE TOURER**

Block No.  
**F 16**

Block Title:  
**FUEL TANK**

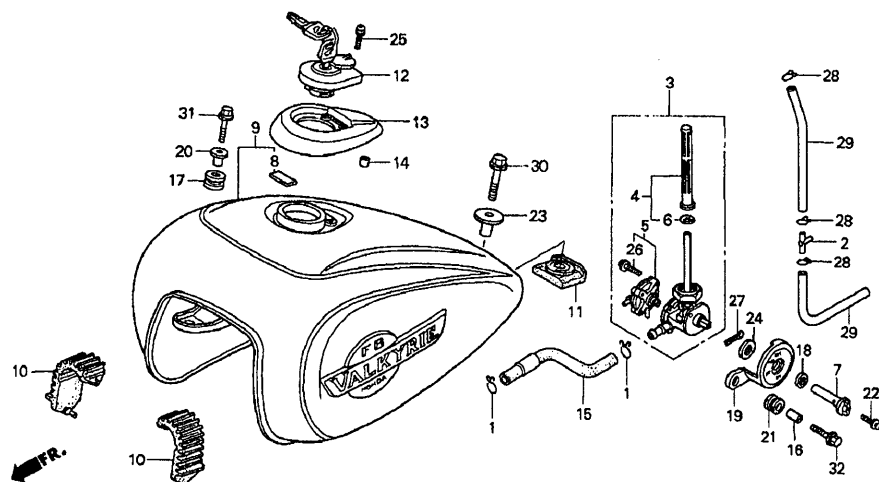


Ref. No.	Part No.	Description
1	15707-634-000	CLIP, OIL DRAIN
2	16180-195-731	JOINT
3	16950-MZ0-003	PETCOCK ASSY., AUTO
3	16950-MZ0-013	PETCOCK, FUEL AUTO
4	16952-MZ0-003	SCREEN SET
5	16953-MV9-000	COVER SET, PETCOCK
6	16958-KM9-005	O-RING (14.2X1.3)
7	16963-MZ0-000	LEVER, PETCOCK
8	17503-MY1-300	FILM, PROTECTOR
9	17520-MZ0-670ZC	TANK *P17A* (TYPE2) '97
9	17520-MZ0-670ZG	TANK *NH1Q* (TYPE3) '97
9	17520-MZ0-670ZF	TANK *R191A* (TYPE1) '97 CT'97
9	17520-MZ0-670ZH	TANK SET, FUEL *NH1* '97 CT'97
9	17520-MZ0-A00ZA	TANK SET, FUEL *NH1* '97 '98 CT'97/'98
9	17520-MZ0-A40ZC	TANK *NH1* (TYPE5)'97'98'99 CT '97'98'99
9	17520-MZ0-A00ZC	TANK SET *PB255Q* '98
9	17520-MZ0-A00ZD	TANK *Y146Q* (TYPE8) '98
9	17520-MZ0-A00ZB	TANK *R223Q* (TYPE6) '98 CT'98
9	17520-MZ0-A40ZG	TANK *R223Q* (TYPE6) '98 CT'98'CT'99
9	17520-MZ0-A40ZB	TANK *NH10* (TYPE12) '99
9	17520-MZ0-A40ZD	TANK, FUEL (TYPE8) '99
9	17520-MZ0-A40ZF	TANK *Y146Q* (TYPE8) '98 '99
9	17520-MZ0-A40ZA	TANK *NH1E* (TYPE11) '99 CT'99
9	17520-MZ0-670ZJ	TANK *NH1* (TYPE4) CT'97
9	17520-MZ0-A00ZE	TANK *NH1G* (TYPE9) CT'98

Catalog Title:  
**GL1500C/CT '97 - '00 VALKYRIE/VALKYRIE TOURER**

Block No.  
**F 16**

Block Title:  
**FUEL TANK**

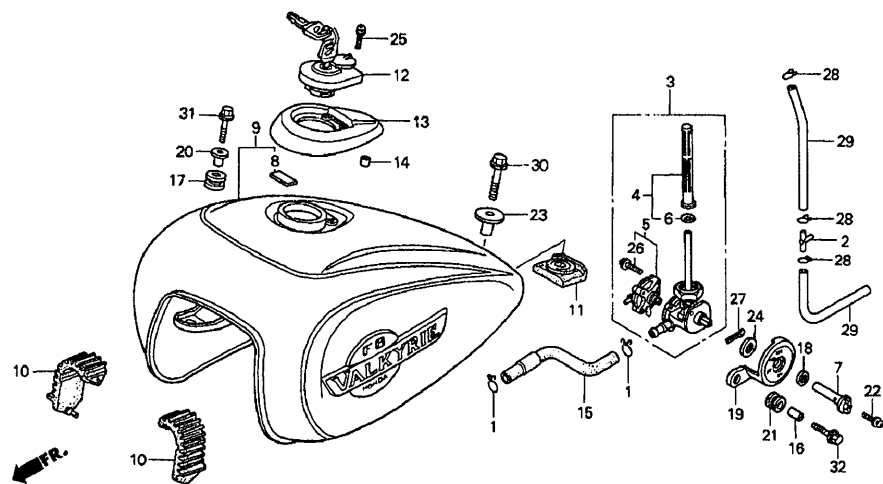


Ref. No.	Part No.	Description
9	17520-MZ0-A40ZE	TANK, FUEL (TYPE6) CT'99
9	17520-MZ0-A80ZF	TANK *NH1Y* (TYPE14) '00
9	17520-MZ0-A80ZA	TANK, FUEL (TYPE13) '00 CT'00
9	17520-MZ0-A80ZC	TANK, FUEL (TYPE5) '00 CT'00
10	17611-MZ0-000	RUBBER, FUEL TANK
11	17613-MM8-000	RUBBER, RR.
12	17620-MW3-680	CAP, FUEL FILLER '97
12	17620-MW3-681	CAP, FUEL FILLER
13	17621-MZ0-000	COVER, FUEL CAP
14	17623-MZ0-000	RUBBER, CAP COVER
15	17701-MZ0-000	TUBE, FUEL
16	17879-758-000	COLR, THROTTLE LEVER
17	19051-GE2-000	RUBBER
18	43134-300-000	DUST SEAL, BRAKE CAM
19	50356-MZ0-000	COVER, VALVE LEVER
20	61104-422-000	COLLAR, SETTING
21	61315-958-680	RUBBER
22	90020-KV3-000	SCREW-WASHER (5X25)
23	90324-MM8-680	COLLAR
24	90403-KV3-830	WASHER (17.2MM)
25	93892-04016-00	SCREW-WASHER (4X16)
26	93892-04016-18	SCREW-WASHER (4X16)
27	94201-25200	PIN, COTTER (2.5MM)

Catalog Title:  
**GL1500C/CT '97 - '00 VALKYRIE/VALKYRIE TOURER**

Block No.  
**F 16**

Block Title:  
**FUEL TANK**

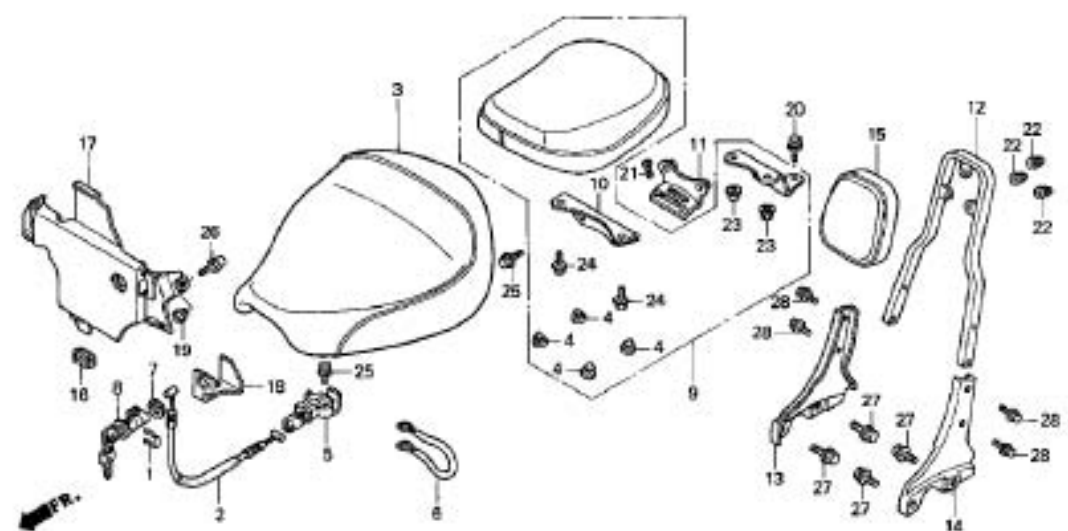


Ref. No.	Part No.	Description
27	94201-25300	PIN, COTTER (2.5MM)
28	95002-02080	CLIP, TUBE (B8)
29	95005-45001-10M	BULK HOSE (4.5X1000) '97
29	95005-45001-20M	BULK HOSE (4.5X1000) '97
29	95005-45001-10M	BULK HOSE (4.5X1000) '98
29	95005-45001-20M	BULK HOSE (4.5X1000) '98
29	95005-45001-10M	BULK HOSE (4.5X1000) '99
29	95005-45001-20M	BULK HOSE (4.5X1000) '99
29	95005-45001-10M	BULK HOSE (4.5X1000) CT'97
29	95005-45001-20M	BULK HOSE (4.5X1000) CT '97
29	95005-45001-10M	BULK HOSE (4.5X1000) CT'98
29	95005-45001-20M	BULK HOSE (4.5X1000) CT'98
29	95005-45001-10M	BULK HOSE (4.5X1000) CT'99
29	95005-45001-20M	BULK HOSE (4.5X1000) CT'99 '00 CT'00
30	95701-08035-07	BOLT, FLANGE (8X35)
31	96001-06025-07	BOLT, FLANGE (6X25)
32	96001-06028-07	BOLT, FLANGE (6X28)

Catalog Title:  
GL1500C/CT '97 - '00 VALKYRIE/VALKYRIE TOURER

Block No.  
F 17

Block Title:  
SEAT



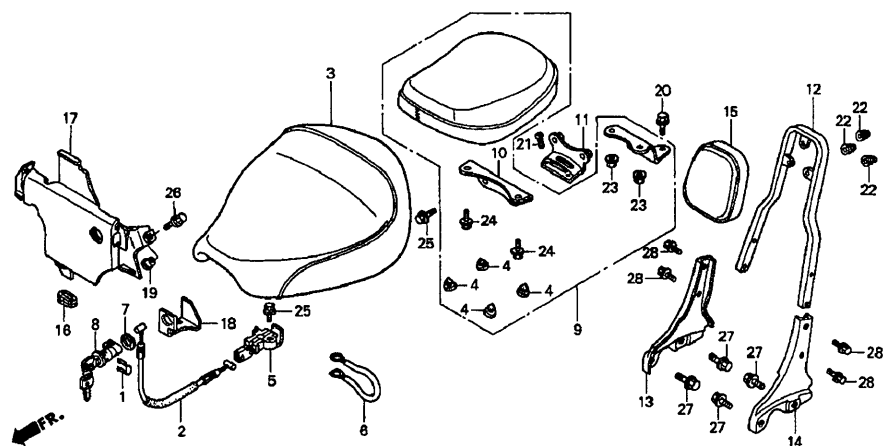
Ref. No.	Part No.	Description
1	75581-673-000	SPRING
2	77156-MZ0-000	CABLE, SEAT LOCK
3	77200-MZ0-000	SEAT ASSY., MAIN '97'98'99 CT'97/98/99
3	77200-MZ0-A80	SEAT ASSY., MAIN '00 CT'00
4	77215-GC2-000	RUBBER B
5	77220-KY6-000	HOOK, SEAT CATCH
6	77236-KAZ-780	WIRE, HELMET SET
7	77238-MZ0-000	GASKET
8	77239-MZ0-000	KEY, SEAT LOCK
9	77300-MZ0-760	SEAT ASSY., RR. '97'98'99 CT'97/98/99
9	77300-MZ0-A80	SEAT ASSY., RR. '00CT'00
10	77302-MZ0-000	STAY A, RR. SEAT
11	77303-MZ0-000	STAY B, RR. SEAT
12	77320-MZ0-000	BAR, BACKREST
13	77350-MZ0-000	PLATE, R. GRAB RAIL
14	77360-MZ0-000	PLATE, L. GRAB RAIL
15	77400-MZ0-000	SEAT, BACK '97'98'99 CT'97/98/99
15	77400-MZ0-A80	SEAT, BACK '00 CT'00
16	83601-MB0-000	GROMMET A
17	83700-MZ0-000ZA	COVER, CENTER 'P17P' '97
17	83700-MZ0-000ZD	COVER, CENTER 'R191' '97 CT'97
17	83700-MZ0-000ZC	COVER, CENTER 'NH1'
17	83700-MZ0-000ZG	CVR, CENTER 'PB255P' '98
17	83700-MZ0-000ZH	CVR, CENTER 'R223P' '98 CT'98'99
17	83700-MZ0-000ZJ	COVER, CENTER 'Y146' '98 '99

Catalog Title:  
**GL1500C/CT '97 - '00 VALKYRIE/VALKYRIE TOURER**

Block No.  
**F 17**

Block Title:  
**SEAT**

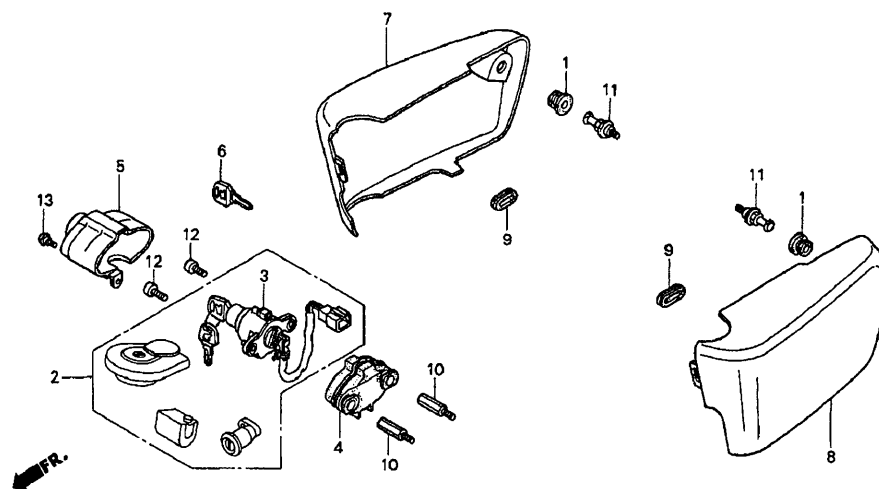
Ref. No.	Part No.	Description
17	83700-MZ0-000ZE	CVR, CENTER *G159P* 'CT'97
18	83701-MZ0-000	STAY, SEAT LOCK
19	84706-415-000	COLLAR
20	90051-MN8-870	BOLT, FLANGE (6X20)
21	90118-MR1-000	SCREW, PAN (6X14)
22	90202-ZV0-000	NUT, CAP (6MM)
23	94050-06080	NUT, FLANGE (6MM)
24	95701-06010-08	BOLT, FLANGE (6X10)
25	95701-06012-07	BOLT, FLANGE (6X12)
26	95701-06022-08	BOLT, FLANGE (6X22)
27	95701-08014-00	BOLT, FLANGE (8X14)
28	96001-06012-02	BOLT, FLANGE (6X12)



Catalog Title:  
**GL1500C/CT '97 - '00 VALKYRIE/VALKYRIE TOURER**

Block No.  
**F 18**

Block Title:  
**SIDE COVER**



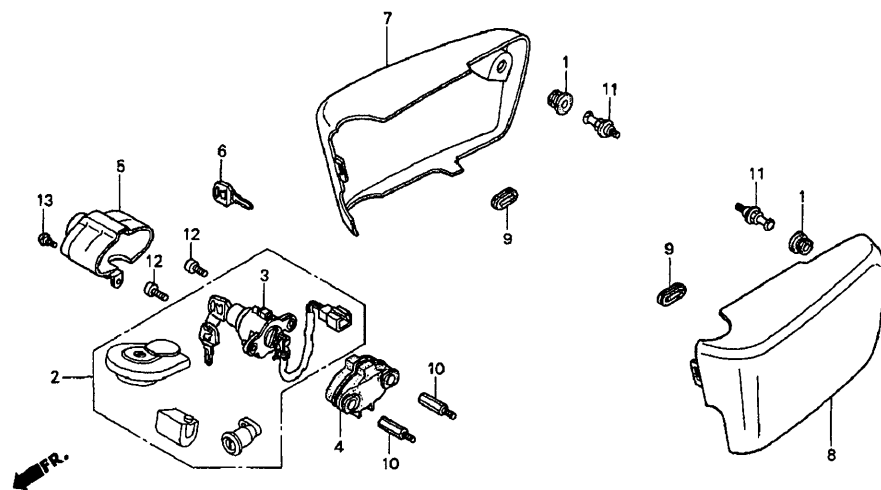
Ref. No.	Part No.	Description
1	11345-MB0-000	GROMMET B, RR. COVER
2	35010-MZ0-000	LOCK SET '97 '98
2	35010-MZ0-A40	LOCK SET '99 '00
2	35010-MZ0-700	LOCK SET CT'97 '98
2	35010-MZ0-A60	LOCK SET CT '99 '00
3	35100-MZ0-007	SWITCH, COMBINATION
4	35102-MR1-000	BASE
5	35110-MR1-000	COVER
6	35121-MR1-770	KEY, BLANK (TYPE1)
6	35122-MR1-770	KEY, BLANK (TYPE2)
7	83500-MZ0-000ZA	CVR, R. SIDE *P17P* '97
7	83500-MZ0-000ZD	CVR, R. SIDE *R191* '97 CT'97
7	83500-MZ0-000ZC	COVER, R. SIDE *NH1*
7	83500-MZ0-000ZF	COVER, R. *PB255P* '98
7	83500-MZ0-000ZG	CVR, R. SIDE *R223P* '98 CT'98 CT'99
7	83500-MZ0-000ZH	CVR, R. SIDE *Y146* '98 '99
7	83500-MZ0-000ZE	CVR, R. SIDE *G159P* CT'97
8	83600-MZ0-000ZA	CVR, L. SIDE *P17P* '97
8	83600-MZ0-000ZD	CVR, L. SIDE *R191* '97 CT'97
8	83600-MZ0-000ZC	COVER, L. SIDE *NH1*
8	83600-MZ0-000ZG	COVER, L. *PB255P* '98
8	83600-MZ0-000ZH	CVR, L. SIDE *R223P* '98 CT'98 CT'99
8	83600-MZ0-000ZJ	CVR, L. SIDE *Y146* '98 '99
8	83600-MZ0-000ZE	CVR, L. SIDE *G159P* CT'97
9	83601-MB0-000	GROMMET A

Catalog Title:  
**GL1500C/CT '97 - '00 VALKYRIE/VALKYRIE TOURER**

Block No.  
**F 18**

Block Title:  
**SIDE COVER**

Ref. No.	Part No.	Description
10	90104-MZ0-000	BOLT, SPECIAL (6MM)
11	90101-MN5-003	BOLT
12	90107-KCR-000	BOLT, TORX (6X14)
13	90114-GB6-920	SCREW, RR. COVER



**Selection table for lock or blank key**

Refer to the following selection table to select the lock or blank key.

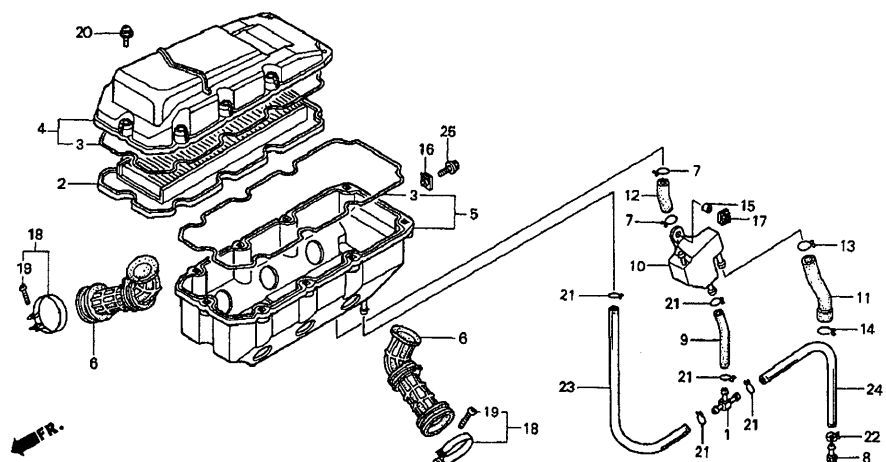
Type	Key No.
TYPE 1	A** , B**
TYPE 2	C** , D**

\* : 0, 1, 2, 3, 4, 5, 6, 7, 8 or 9

Catalog Title:  
**GL1500C/CT '97 - '00 VALKYRIE/VALKYRIE TOURER**

Block No.  
**F 19**

Block Title:  
**AIR CLEANER**

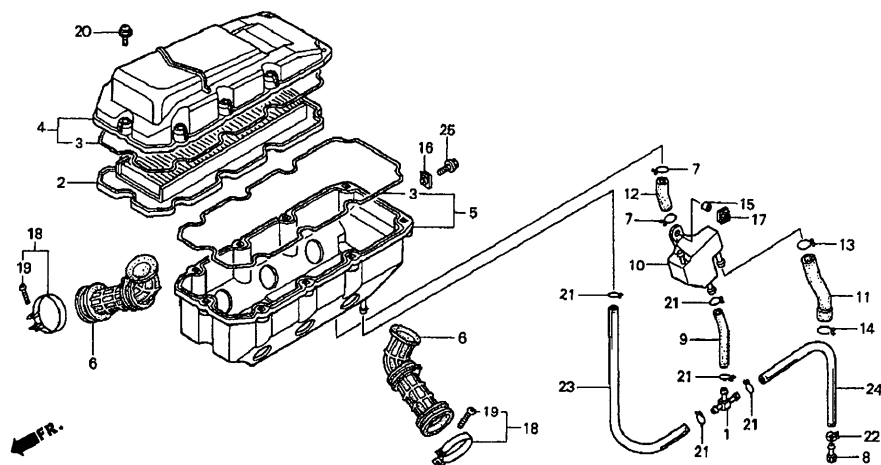


Ref. No.	Part No.	Description
1	17195-MN5-000	T-JOINT
2	17210-MZ0-000	AIR CLEANER
3	17213-MZ0-000	SEAL, A/CLNR HSG
4	17221-MZ0-000	COVER
5	17231-MZ0-000	HOUSING, AIR CLEANER
6	17253-MZ0-000	TUBE
7	17369-KB4-670	CLIP, BREATHER TUBE
8	17370-419-700	PLUG, BREATHER TUBE
9	17516-MZ0-000	TUBE
10	17551-MN5-000	TANK, STORAGE
11	17552-MZ0-000	TUBE A, BREATHER
12	17553-MZ0-000	TUBE B, BREATHER
13	17724-102-700	CLIP, SUB-TANK HOSE
14	18532-634-670	CLIP (21.5)
15	80108-MA6-000	COLLAR B, RR. FENDER
16	84601-HA7-670	NUT, FENDER SETTING
17	90350-SB0-000	NUT, CLIP (6MM)
18	95018-52250	BAND (52)
19	93500-04025-0G	SCREW, PAN (4X25) '97'98'99 CT'97/'98/'99
20	93893-05016-07	SCREW-WASHER (5X16)
21	95002-02120	CLIP, TUBE (B12)
22	95002-41200-08	CLIP, TUBE (D12)
23	95003-23008-60M	BULK HOSE, VINYL '97
23	95003-23001-60M	BULK HOSE, VINYL '97

Catalog Title:  
**GL1500C/CT '97 - '00 VALKYRIE/VALKYRIE TOURER**

Block No.  
**F 19**

Block Title:  
**AIR CLEANER**



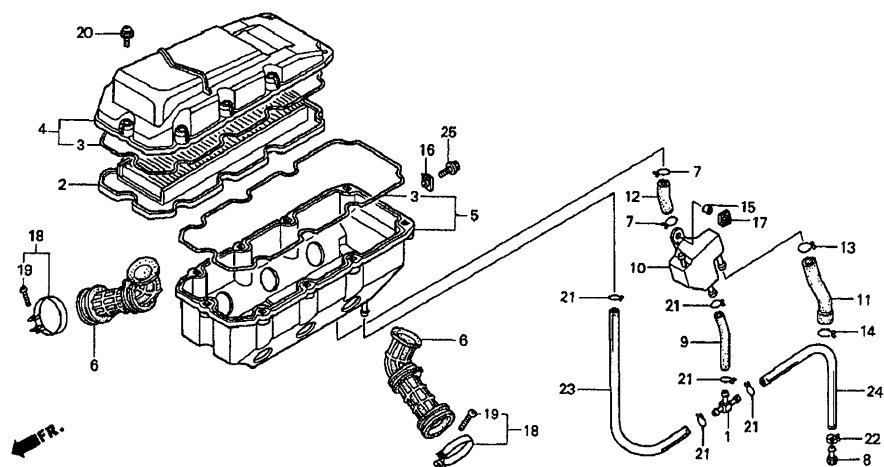
Ref. No.	Part No.	Description
23	95003-23008-60M	BULK HOSE, VINYL '98
23	95003-23001-60M	BULK HOSE, VINYL '98
23	95003-23008-60M	BULK HOSE, VINYL '99
23	95003-23001-60M	BULK HOSE, VINYL '99
23	95003-23008-60M	BULK HOSE, VINYL CT'97
23	95003-23001-60M	BULK HOSE, VINYL CT'97
23	95003-23008-60M	BULK HOSE, VINYL CT'98
23	95003-23001-60M	BULK HOSE, VINYL CT'98
23	95003-23008-60M	BULK HOSE, VINYL CT'99
23	95003-23001-60M	BULK HOSE, VINYL CT'99
23	95003-23008-60M	BULK HOSE, VINYL '00
23	95003-23001-60M	BULK HOSE, VINYL '00
23	95003-23008-60M	BULK HOSE, VINYL CT'00
23	95003-23001-60M	BULK HOSE, VINYL CT'00
24	95003-23008-60M	BULK HOSE, VINYL '97
24	95003-23001-60M	BULK HOSE, VINYL '97
24	95003-23008-60M	BULK HOSE, VINYL '98
24	95003-23001-60M	BULK HOSE, VINYL '98
24	95003-23008-60M	BULK HOSE, VINYL '99
24	95003-23001-60M	BULK HOSE, VINYL '99
24	95003-23008-60M	BULK HOSE, VINYL CT'97
24	95003-23001-60M	BULK HOSE, VINYL CT'97
24	95003-23008-60M	BULK HOSE, VINYL CT'98
24	95003-23001-60M	BULK HOSE, VINYL CT'98
24	95003-23008-60M	BULK HOSE, VINYL CT'99
24	95003-23001-60M	BULK HOSE, VINYL CT'99

Catalog Title:  
**GL1500C/CT '97 - '00 VALKYRIE/VALKYRIE TOURER**

Block No.  
**F 19**

Block Title:  
**AIR CLEANER**

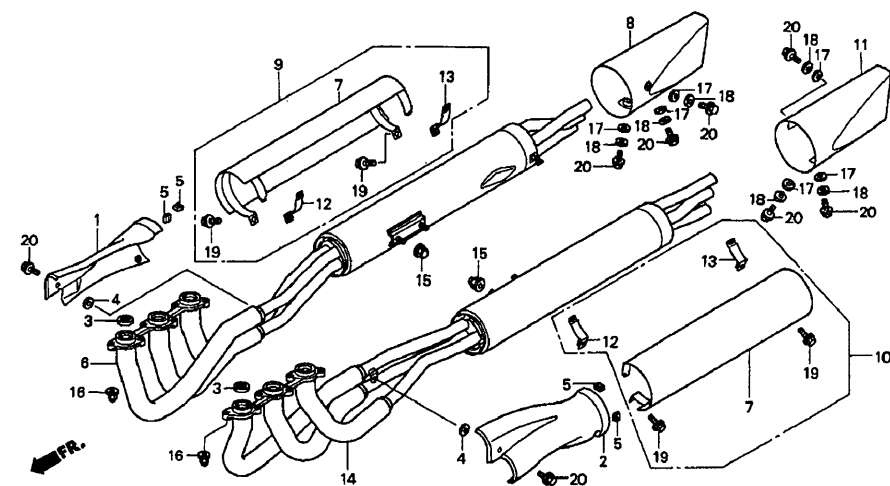
Ref. No.	Part No.	Description
24	95003-23001-60M	BULK HOSE, VINYL CT'99
24	95003-23008-60M	BULK HOSE, VINYL '00
24	95003-23001-60M	BULK HOSE, VINYL '00
24	95003-23008-60M	BULK HOSE, VINYL CT'00
24	95003-23001-60M	BULK HOSE, VINYL CT'00
25	95701-06014-07	BOLT, FLANGE (6X14)



Catalog Title:  
**GL1500C/CT '97 - '00 VALKYRIE/VALKYRIE TOURER**

Block No.  
**F 20**

Block Title:  
**MUFFLER**

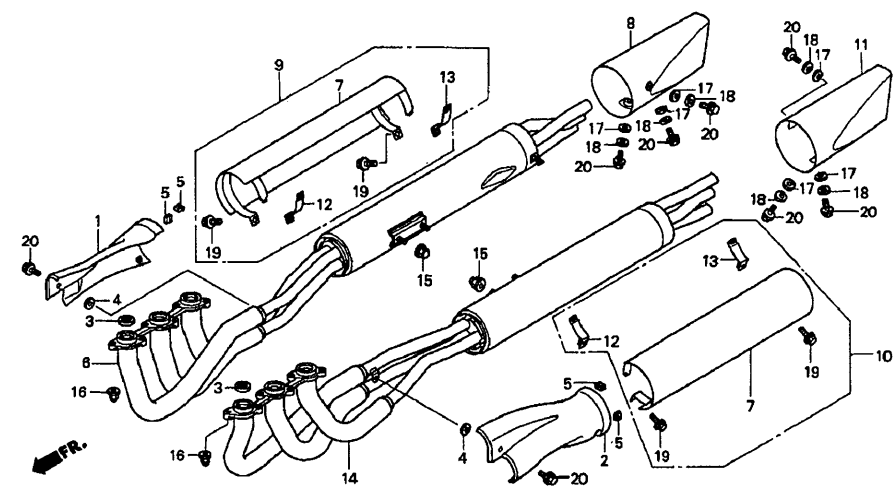


Ref. No.	Part No.	Description
1	18160-MZ0-003	COVER, R. EX. PIPE
2	18260-MZ0-003	COVER, L. EX. PIPE
3	18291-MN5-650	GASKET, EX. PIPE
4	18292-167-890	GASKET, PROTECTOR '97 CT'97
4	18292-290-000	GASKET, PROTECTOR '97 CT'97
4	18292-329-000	GASKET, PROTECTOR '97 CT'97
4	18292-KBR-000	GASKET, PROTECTOR '98'99'00 CT'98'99'00
5	18293-MN0-000	RUBBER, PROTECTOR
6	18300-MZ0-003	MUFFLER, R. EX. '97 CT'97
6	18300-MZ0-A02	MUFFLER, R. EX. '98'99'00 CT'98'99'00
7	18315-MZ0-003	COVER, MUFFLER '97
8	18316-MZ0-003	PIECE, R. TAIL '97
9	18317-MZ0-003	CVR, R. MUFFLER
10	18318-MZ0-003	CVR, L. MUFFLER
11	18336-MZ0-003	PIECE, L. TAIL
12	18376-MZ0-003	BAND, MUFFLER COVER '97
12	18376-MZ0-013	BAND, FR.

Catalog Title:  
**GL1500C/CT '97 - '00 VALKYRIE/VALKYRIE TOURER**

Block No.  
**F 20**

Block Title:  
**MUFFLER**



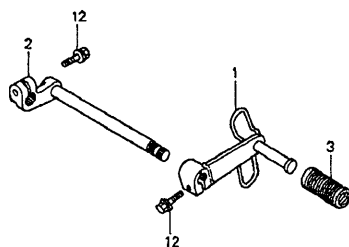
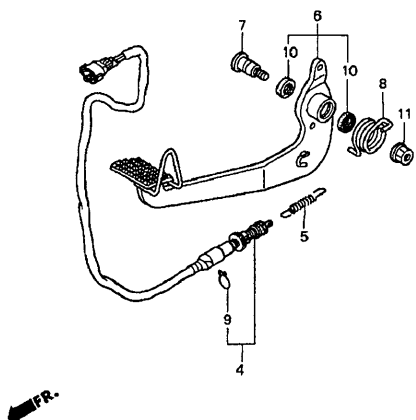
Ref. No.	Part No.	Description
13	18376-MZ0-003	BAND, MUFFLER COVER '97
13	18377-MZ0-013	BAND, RR.
14	18400-MZ0-A02	MUFFLER, L. EX.
15	90208-438-000	NUT (8MM)
16	90304-438-000	NUT, CAP (6MM)
17	94101-06000	WASHER, PLAIN (6MM)
17	94101-06080	WASHER, PLAIN (6MM)
17	94101-06800	WASHER, PLAIN (6MM)
18	94111-06000	WASHER, SPRING (6MM)
19	93404-06016-00	BOLT-WASHER (6X16) '97
19	93414-06016-00	BOLT-WASHER (6X16) '97
19	95701-06012-08	BOLT, FLANGE (6X12) '97
19	93404-06016-08	BOLT-WASHER (6X16) '98/'99/'00 CT/'97/'98/'99/'00
20	96001-06012-00	BOLT, FLANGE (6X12)

Catalog Title:  
**GL1500C/CT '97 - '00 VALKYRIE/VALKYRIE TOURER**

Block No.  
**F 21**

Block Title:  
**PEDAL**

Ref. No.	Part No.	Description
1	24701-MZ0-000	PEDAL, GEARSHIFT
2	24711-MN5-000	ARM, GEARSHIFT
3	24781-KR3-770	RUBBER, CHANGE PEDAL
4	35350-MZ0-003	SWITCH, RR. STOP
5	35357-KY2-700	SPRING, STOP SWITCH
6	46500-MZ0-000	PEDAL, BRAKE
7	46513-MZ0-000	SHAFT, BRAKE PIVOT
8	46514-MZ0-000	SPRING, BRAKE PEDAL
9	90601-KAF-003	CLIP, SWITCH COVER
10	91251-MT4-000	DUST SEAL (15X20X3)
11	94050-08000	NUT, FLANGE (8MM)
12	95701-06020-00	BOLT, FLANGE (6X20)

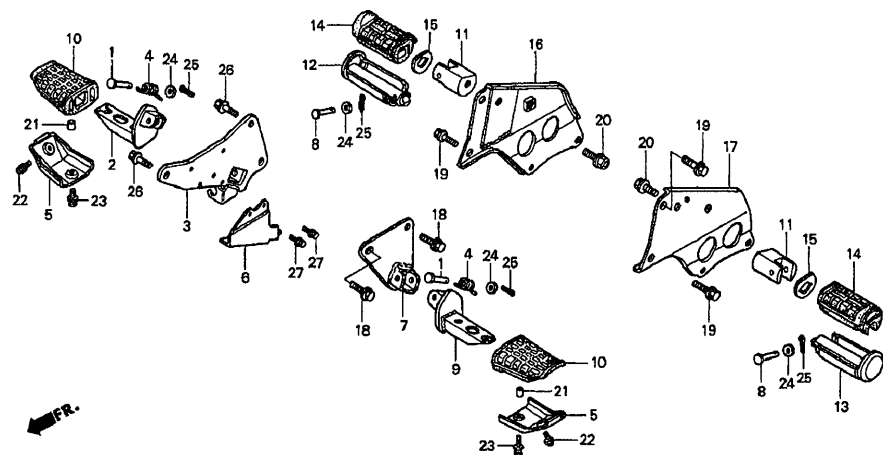


FR.

Catalog Title:  
**GL1500C/CT '97 - '00 VALKYRIE/VALKYRIE TOURER**

Block No.  
**F 22**

Block Title:  
**STEP**



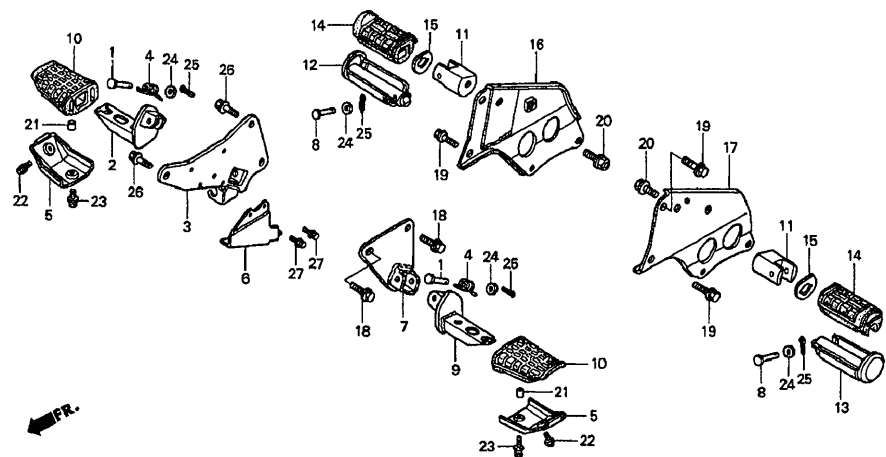
Ref. No.	Part No.	Description
1	50603-033-010	PIN, STEP BAR JOINT
2	50612-MZ0-000	BAR, R. STEP
3	50615-MZ0-000	BRACKET, R. STEP
4	50617-MB1-700	SPRING, STEP RETURN
5	50619-MN5-000	COVER, STEP (LOWER)
6	50619-MZ0-000	COVER, STOP SWITCH
7	50625-MZ0-000	BRACKET, L. STEP
8	50639-ML0-010	PIN, STEP BAR
9	50642-MZ0-000	BAR, L. STEP
10	50661-MN5-000	RUBBER, MAIN STEP
11	50680-MZ0-000	BRKT, PILLION STEP
12	50711-MM8-000	BAR, R. PILLION STEP
13	50712-MM8-000	BAR, L. PILLION STEP
14	50713-MK7-000	RUBBER, PILLION STEP
15	50714-MK7-000	WASHER, PILLION STEP
16	50715-MZ0-000	HOLDER, R.
17	50815-MZ0-000	HOLDER, L.
18	90100-438-850	BOLT (8X22)
19	90102-MJ0-000	BOLT (10X16) '97'98'99 CT'97'98'99
19	90109-KN8-730	BOLT (10X16)'00 CT'00
20	90102-MW0-000	BOLT, FLANGE (10X20)
21	90325-197-000	COLLAR, RR. MUDGUARD
22	92501-06008-0B	BOLT, CAP (6X8)
23	93403-06016-00	BOLT-WASHER (6X16)
23	93413-06016-00	BOLT-WASHER (6X16)

Catalog Title:  
**GL1500C/CT '97 - '00 VALKYRIE/VALKYRIE TOURER**

Block No.  
**F 22**

Block Title:  
**STEP**

Ref. No.	Part No.	Description
24	94101-08000	WASHER, PLAIN (8MM)
25	94201-20150	PIN, COTTER (2.0X15)
26	95701-08018-00	BOLT, FLANGE (8X18)
27	96001-06008-00	BOLT, FLANGE (6X8)

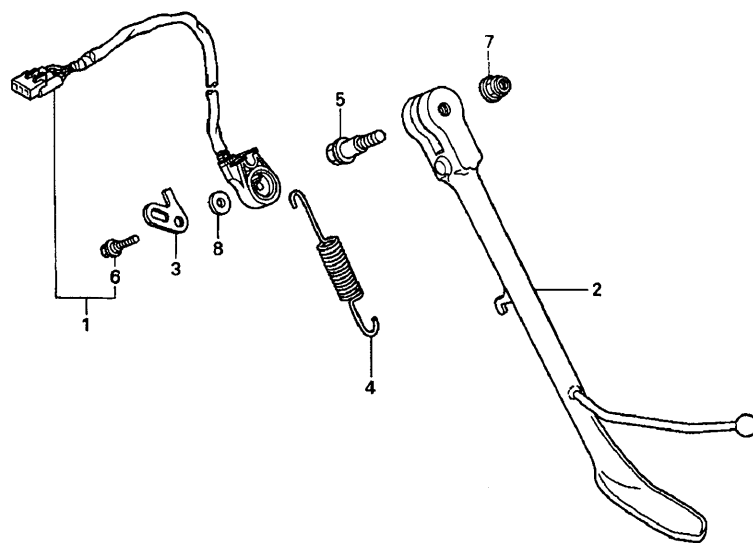


Catalog Title:  
**GL1500C/CT '97 - '00 VALKYRIE/VALKYRIE TOURER**

Block No.  
**F 23**

Block Title:  
**SIDE STAND**

Ref. No.	Part No.	Description
1	35070-MZ0-010	SWITCH, SIDE STAND '97'98'99 CT'97'98'99
1	35070-MZ0-B00	SWITCH, SIDE STAND '00 CT'00
2	50530-MZ0-000	BAR, SIDE STAND
3	50532-MZ0-000	HOLDER, SWITCH
4	50541-MT3-610	SPRING, SIDE STAND
5	90108-MR5-000	BOLT
6	90147-MK6-671	BOLT, SPECIAL (6X16) '97
6	90111-MZ8-000	BOLT, SPECIAL (6MM)'98'99'00 CT'97'98'99'00
7	90203-MF9-710	NUT, SIDE STAND
8	90406-KV3-780	WASHER (6MM)

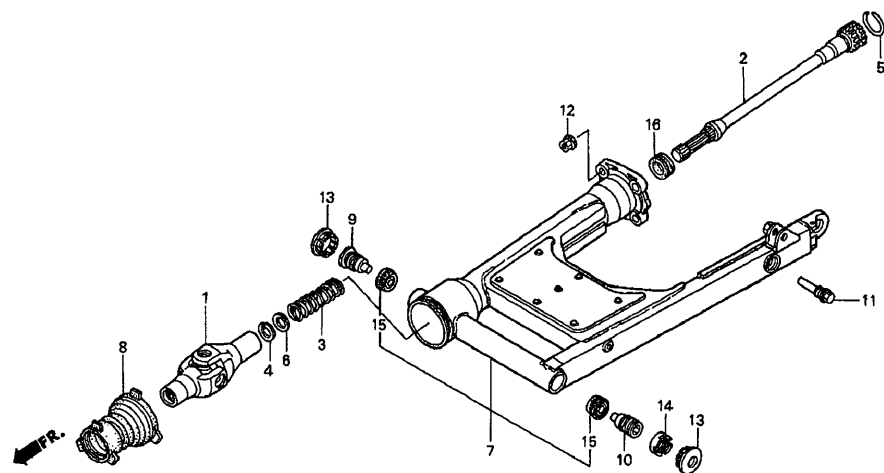


←FR.

Catalog Title:  
**GL1500C/CT '97 - '00 VALKYRIE/VALKYRIE TOURER**

Block No.  
**F 24**

Block Title:  
**SWINGARM**



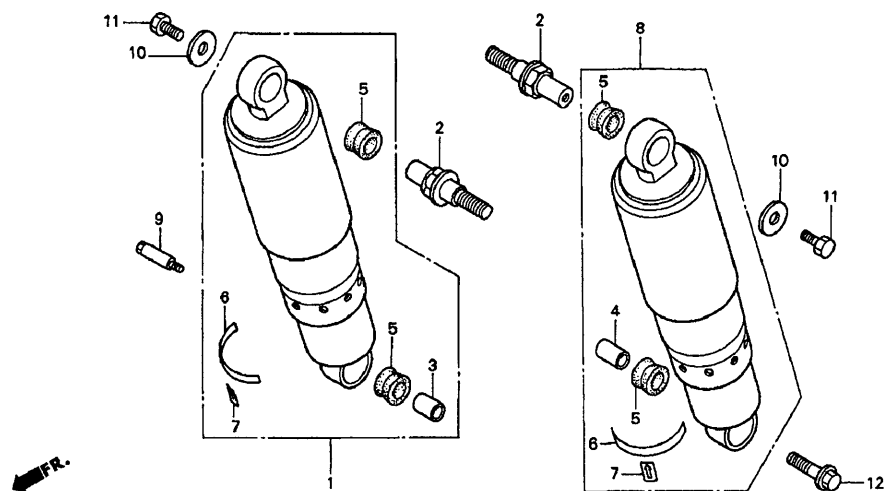
Ref. No.	Part No.	Description
1	40200-MZ3-003	JOINT, YOKE '97 CT'97
1	40200-MZ0-A00	JOINT, YOKE '98'99'00 CT'98 CT'99 CT'00
2	40201-MZ0-000	SHAFT, PROPELLER '97 CT'97
2	40201-MZ0-A00	SHAFT, PROPELLER '98'99'00 CT'98 CT'99 CT'00
3	40215-MN5-000	SPRING
4	40219-MG9-000	CIRCLIP
5	40221-MB0-000	RING, STOPPER
6	40222-MN5-000	STOPPER
7	52100-MZ0-000	SWINGARM ASSY., RR. '97 '98 CT '97 CT'98
7	52100-MZ0-A40	SWINGARM ASSY., RR. '99 '00 CT '99 CT'00
8	52104-MZ0-000	BOOT, JOINT '97 '98 CT '97 CT'98
8	52104-MZ0-A40	BOOT, JOINT
9	90121-MT8-000	BOLT, R. '97
9	90121-MAM-A60	BOLT, R. '98'99'00 CT'97 TO CT'00
10	90122-MN5-000	BOLT, L. '97
10	90122-MAM-A60	BOLT, L. '98'99'00 CT'97 TO CT'00
11	90158-MZ0-000	BOLT, BRAKE STOPPER
12	90308-357-000	NUT, HEX. (10MM)
13	90312-MB0-700	CAP, R. LOCK NUT
14	90355-469-000	NUT, RR.
15	91066-HA7-672	BEARING (17X40X23.5)
16	91261-ME9-005	OIL SEAL (27X43X7)

Catalog Title:  
**GL1500C/CT '97 - '00 VALKYRIE/VALKYRIE TOURER**

Block No.  
**F 25**

Block Title:  
**REAR SHOCK ABSORBER**

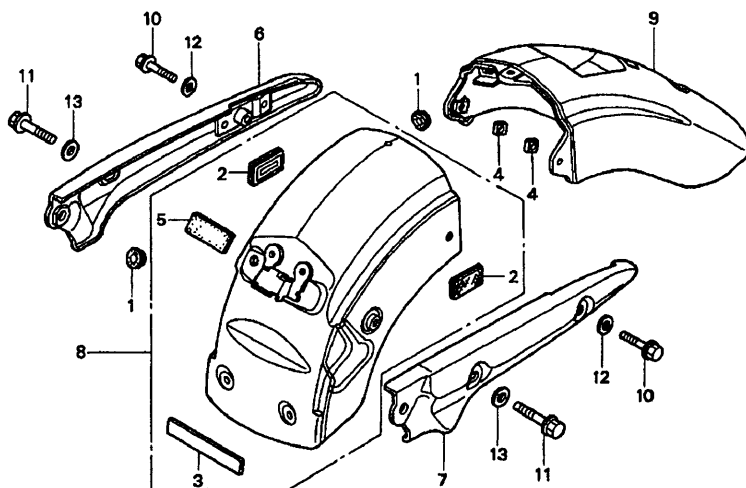
Ref. No.	Part No.	Description
1	52400-MZ0-003	S/ABS, R. RR. '98 '97 CT '97 CT '98
1	52400-MZ0-A41	CUSHION, R. RR. '99 '00 CT'99 CT'00
2	52452-MM8-000	BOLT, RR. '97 CT'97
2	52452-MAH-A40	BOLT, RR. SHOCK'98'99'00 CT'98 TO CT'00
3	52486-MG9-671	COLLAR, RR. SHOCK
4	52486-463-000	COLLAR, RR. SHOCK
5	52489-MW3-305	BUSH, RUBBER
6	52496-MB4-003	LABEL A
7	52497-KR3-003	LABEL B, RR.
8	52500-MZ0-003	S/ABS ASSY., L. RR. '97 '98 CT'97 CT'98
8	52500-MZ0-A41	CUSHION, L. RR. '99 '00 CT'99 CT'00
9	90159-MG9-000	BOLT, RR.
10	90504-MA6-000	WASHER (8.5X26)
11	95501-08012-00	BOLT, HEX. (8X12)
12	95801-10035-00	BOLT, FLANGE (10X35)



Catalog Title:  
**GL1500C/CT '97 - '00 VALKYRIE/VALKYRIE TOURER**

Block No.  
**F 26**

Block Title:  
**REAR FENDER / GRAB RAIL**



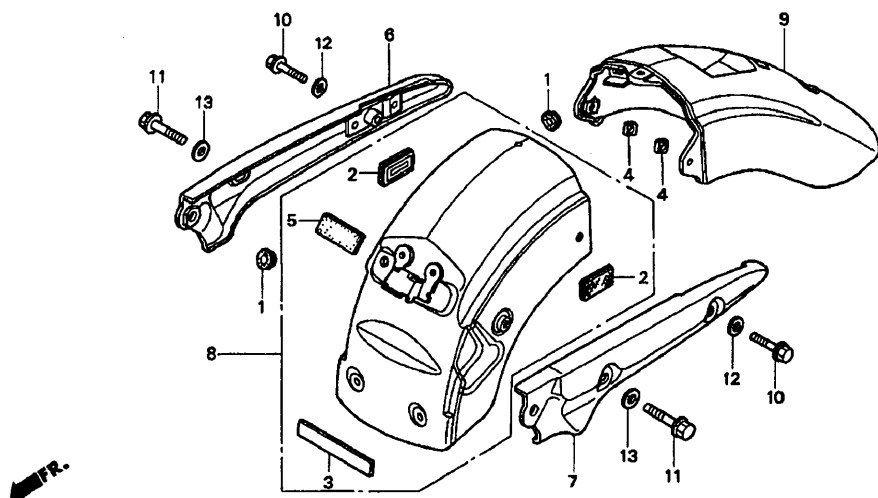
Ref. No.	Part No.	Description
1	32983-028-000	GROMMET
2	33741-MZ7-003	REFLECTOR, REFLEX '97'98'99'00
3	50134-GAM-300	RUBBER, FLOOR PLATE
4	61303-198-740	NUT, HEADLIGHT CASE
5	64233-MR7-300	PROTECTOR, HOSE
6	77330-MZ0-000	GRAB RAIL, R. '97'98 CT'97 CT'98
6	77330-MZ0-A40	GRAB RAIL, R.
7	77340-MZ0-000	GRAB RAIL, L. '97'98 CT'97 CT'98
7	77340-MZ0-A40	GRAB RAIL, L.
8	80110-MZ0-670ZE	FENDER SET A *R191A* '97
8	80110-MZ0-670ZF	FENDER SET A *P17A* '97
8	80110-MZ0-670ZH	FENDER SET A *NH1Q* '97
8	80110-MZ0-670ZJ	FDR SET A, RR. *NH1* '97
8	80110-MZ0-A00ZA	FENDER A SET *NH1* '97 '98
8	80110-MZ0-A00ZB	FENDER A SET *R223Q* '98
8	80110-MZ0-A00ZC	FENDER A SET (TYPE7) '98
8	80110-MZ0-A00ZD	FENDER A SET *Y146Q* '98
8	80110-MZ0-A40ZA	FENDER A SET, RR. '98 '99 '00
8	80110-MZ0-A40ZB	FENDER A SET, RR. '99
8	80110-MZ0-A40ZD	FENDER A SET (TYPE8) '99
8	80110-MZ0-A40ZE	SET ILLUSTR *Y146Q* '99
8	80110-MZ0-A40ZC	FENDER A SET *NH1* '99
8	80110-MZ0-700ZA	FENDER SET A *R191A* CT'97
8	80110-MZ0-700ZG	FDR SET A, RR. *NH1* CT'97
8	80110-MZ0-700ZH	FENDER SET A *G159Q* CT'97

Catalog Title:  
**GL1500C/CT '97 - '00 VALKYRIE/VALKYRIE TOURER**

Block No.  
**F 26**

Block Title:  
**REAR FENDER / GRAB RAIL**

Ref. No.	Part No.	Description
8	80110-MZ0-A20ZA	FENDER A SET *NH1*CT'97 CT'98
8	80110-MZ0-A60ZC	FENDER A SET *NH1* CT'97 CT'98 CT'99
8	80110-MZ0-A20ZB	FENDER A SET *R223Q* CT'98
8	80110-MZ0-A20ZE	FENDER A SET *NH1G* CT'98
8	80110-MZ0-A60ZA	FENDER A SET, RR. CT'99
8	80110-MZ0-A60ZE	FENDER A SET (TYPE6) CT'99
8	80110-MZ0-A60ZH	FENDER A SET *R223Q* CT'99
8	80110-MZ0-A80ZA	FDR SET A (TYPE13) '00
8	80110-MZ0-A80ZD	FENDER SET A *NH1Y* '00
8	80110-MZ0-A90ZA	FDR SET A (TYPE13) CT'00
8	80110-MZ0-A90ZC	FENDER SET A (TYPE5) CT'00
9	80210-MZ0-670ZB	FENDER SET B *P17A* '97
9	80210-MZ0-670ZG	FENDER SET B *NH1Q* '97
9	80210-MZ0-670ZA	FENDER SET B *R191A**'97 CT'97
9	80210-MZ0-A00ZA	FDR B SET, RR. *NH1* '97 '98 '99 - CT'97/'98/'98
9	80210-MZ0-A40ZC	FENDER B SET (TYPE5) '97 '98 '99 - CT'97/'98/'98
9	80210-MZ0-670ZH	FENDER SET B *NH1* '97 '98 '99 - CT'97/'98/'98
9	80210-MZ0-A40ZM	SET ILLUST *NH1*
9	80210-MZ0-A00ZC	FDR B SET *PB255Q* '98
9	80210-MZ0-A00ZD	FENDER B SET *Y146Q* '98
9	80210-MZ0-A40ZJ	FDR B SET *PB255Q* '98
9	80210-MZ0-A00ZB	FENDER B SET *R223Q* '98 CT'98
9	80210-MZ0-A00ZG	FDR B SET, RR. *NH1* '98 CT'98
9	80210-MZ0-A40ZH	FENDER B SET *R223Q* '98 CT'98CT'99
9	80210-MZ0-A40ZG	FENDER B SET *Y146Q* '98'99

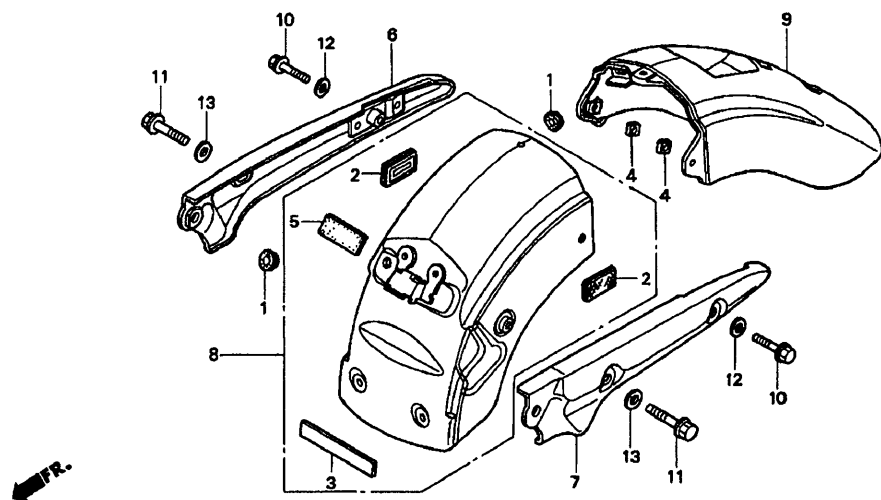


Catalog Title:  
**GL1500C/CT '97 - '00 VALKYRIE/VALKYRIE TOURER**

Block No.  
**F 26**

Block Title:  
**REAR FENDER / GRAB RAIL**

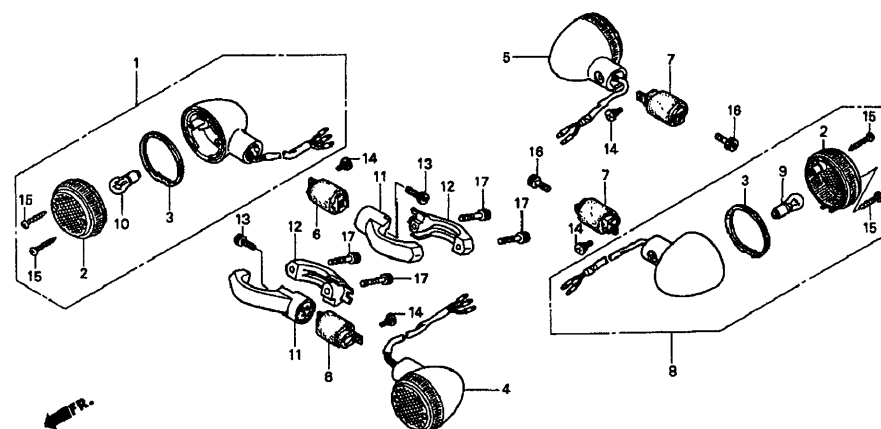
Ref. No.	Part No.	Description
9	80210-MZ0-A40ZL	SET ILLUSTR *NH1* '99
9	80200-MZ0-000ZE	FENDER B, RR. *NH1* '99 CT'99
9	80210-MZ0-A40ZK	SET ILLUSTR *NH1* '99 CT'99
9	80210-MZ0-670ZJ	FENDER SET B *G159Q* CT97
9	80210-MZ0-A00ZE	FENDER B SET *NH1G* CT'98
9	80210-MZ0-A40ZE	FENDER B SET (TYPE6) CT'99
9	80210-MZ0-A80ZF	FENDER SET B *NH1Y* '00
9	80210-MZ0-A80ZA	FENDER SET B, RR. '00 CT'00
10	90158-MB1-000	BOLT (8X45) '97
10	90113-MZ0-000	BOLT (8X48)'98 '99 '00
11	90158-438-000	BOLT (10X50) '97 TO '00
12	90501-MM8-610	WASHER, PLAIN (8MM) '97 TO '00
13	90502-MM8-610	WASHER, PLAIN (10MM) '97 TO '00



Catalog Title:  
**GL1500C/CT '97 - '00 VALKYRIE/VALKYRIE TOURER**

Block No.  
**F 27**

Block Title:  
**TURN SIGNAL (1) '97 '98 '99 CT'97 CT'98 CT'99**



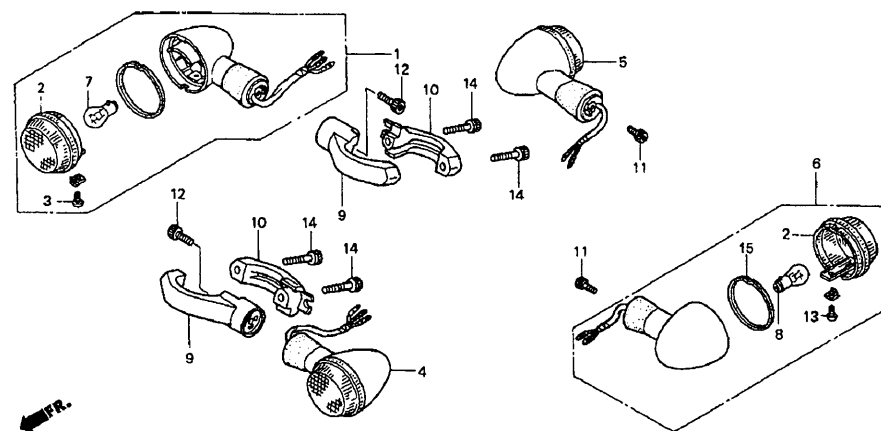
Ref. No.	Part No.	Description
1	33400-MZ0-671	TURN SIGNAL, R. FR.
2	33401-MK7-672	LENS, FR.
3	33407-MK7-671	GASKET
4	33450-MZ0-671	TURN SIGNAL, L. FR.
5	33600-MZ0-671	TURN SIGNAL, R. RR.
6	33640-MZ0-003	STAY, FR.
7	33640-MZ0-700	STAY, TURN SIGNAL
8	33650-MZ0-671	TURN SIGNAL, L. RR.
9	34905-268-671	BULB (12V23W32CP)
10	34905-425-671	BULB (12V23/8W)
11	53103-MZ0-000	HOLDER A, FR.
12	53104-MZ0-000	HOLDER B, FR.
13	90071-ME9-000	BOLT, SOCKET (6X15)
14	90380-MZ5-000	SCREW, SPECIAL (6X8)
15	93901-34610	SCREW, TAP (4X25)
16	96600-06010-00	BOLT, SOCKET (6X10) '97 CT'97
16	90001-GY6-900	BOLT, SOCKET (6X12) '98'99 CT'98 CT'99
17	96600-06028-00	BOLT, SOCKET (6X28)

Catalog Title:  
**GL1500C/CT '97 - '00 VALKYRIE/VALKYRIE TOURER**

Block No.  
**F 2701**

Block Title:  
**TURN SIGNAL (2) '00 CT'00**

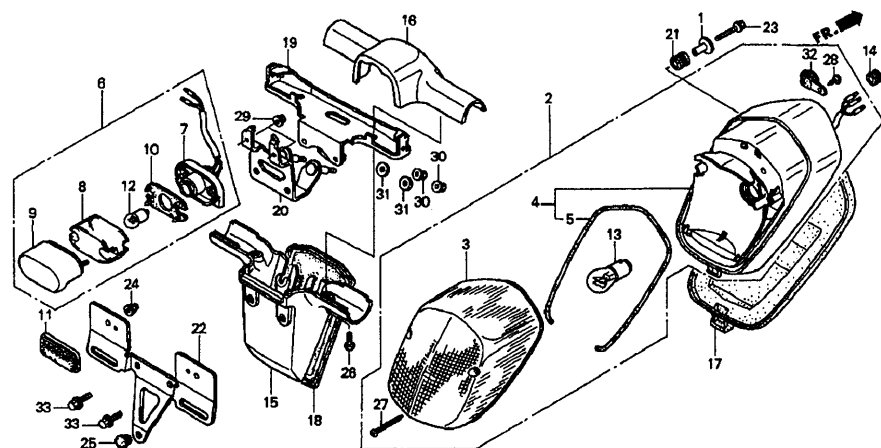
Ref. No.	Part No.	Description
1	33400-MZ0-A82	TURN SIGNAL, R. FR.
2	33401-MBA-612	LENS, TURN SIGNAL
3	33403-MBA-611	SCREW, SPECIAL
4	33450-MZ0-A82	TURN SIGNAL, L. FR.
5	33600-MBH-013	TURN SIGNAL, R. RR.
6	33650-MBH-013	TURN SIGNAL, L. RR.
7	34906-447-711	BULB (12V21/5W)
8	34908-634-611	BULB (12V21W)
9	53103-MZ0-010	HOLDER A, FR.
10	53104-MZ0-010	HOLDER B, FR.
11	90001-GY6-900	BOLT, SOCKET (6X12)
12	90071-ME9-000	BOLT, SOCKET (6X15)
13	93903-24110	SCREW, TAPPING (4X8)
14	96600-06028-00	BOLT, SOCKET (6X28)
15	33407-MBA-611	GASKET, LENS
16	33408-MBA-611	NUT, CLIP



Catalog Title:  
**GL1500C/CT '97 - '00 VALKYRIE/VALKYRIE TOURER**

Block No.  
**F 28**

Block Title:  
**TAILLIGHT**

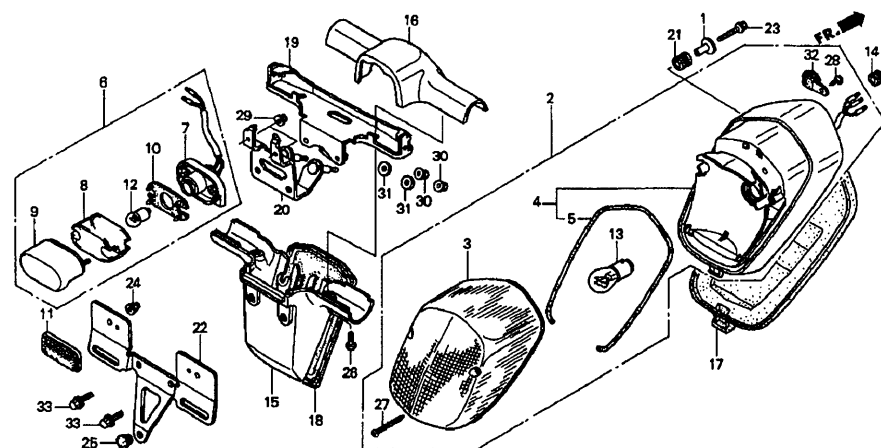


Ref. No.	Part No.	Description
1	17216-HA7-670	COLLAR
2	33701-MZ0-671	TAILLIGHT ASSY.
3	33702-MZ0-003	LENS, TAILLIGHT
4	33704-MZ0-671	BASE, TAILLIGHT
5	33709-MZ0-000	GASKET, TAILLIGHT
6	33720-MZ0-671	LIGHT ASSY., LICENSE
7	33721-MZ0-003	BASE, LICENSE
8	33722-MB1-013	LENS, LICENSE
9	33727-KR3-000	COVER, LICENSE
10	33729-MB1-003	GASKET, LENS
11	33741-MR1-671	REFLECTOR, RR.
12	34616-568-671	BULB (12V8W)
12	34902-500-003	BULB (12V4CP)
12	34908-272-000	BULB (12V4CP)
12	34909-505-003	BULB (12V8W4CP) (67)
12	34909-505-610	BULB (12V4CP)
13	34905-425-671	BULB (12V23/8W)
14	55204-GJ2-000	GROMMET, OIL TUBE
15	80120-MZ0-000	BRKT, LICENSE LIGHT
16	80121-MZ0-700	COVER, LICENSE LIGHT
17	80122-MZ0-000	RUBBER
18	80125-MZ0-000	RUBBER
19	80126-MZ0-700	STAY, LICENSE LIGHT
20	80127-MZ0-700	STAY B
21	80219-KCZ-000	RUBBER

Catalog Title:  
**GL1500C/CT '97 - '00 VALKYRIE/VALKYRIE TOURER**

Block No.  
**F 28**

Block Title:  
**TAILLIGHT**

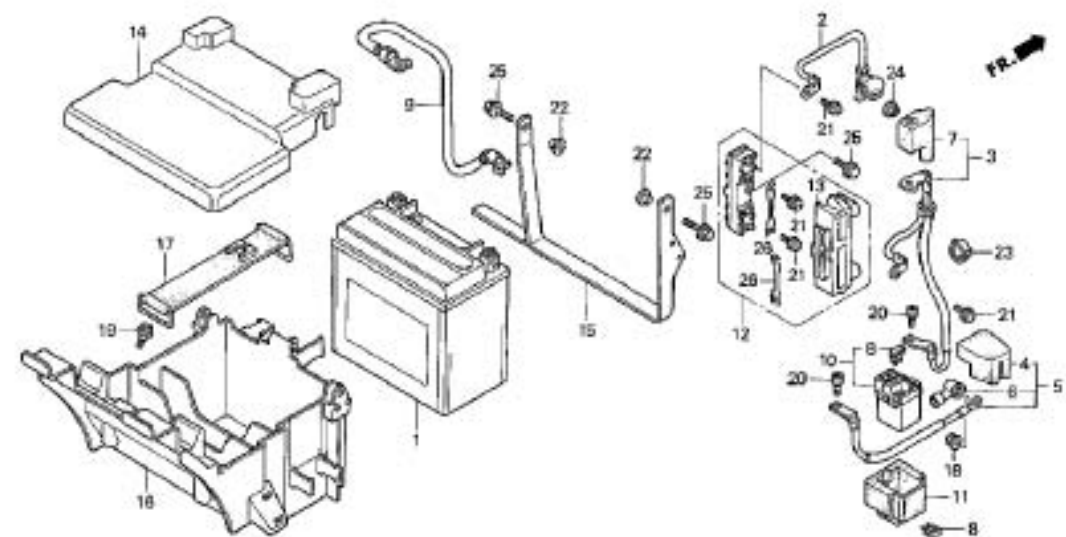


Ref. No.	Part No.	Description
22	84701-MZ0-000	BRKT, NUMBER PLATE
23	90112-GG2-900	BOLT, FLANGE (5X25)
24	90167-SA0-980	NUT (5MM)
25	90852-446-630	PLUG, HOLE
26	93500-05016-0A	SCREW, PAN (5X16) '97
26	93500-05014-0A	SCREW, PAN (5X14) '98 TO '00 CT'97 TO '00
27	93901-348G0	SCREW, TAP (4X35)
28	93903-34220	SCREW, TAP (4X10)
29	94050-04000	NUT, FLANGE (4MM)
30	94050-06000	NUT, FLANGE (6MM)
31	94103-06000	WASHER, PLAIN (6MM)
32	94591-25000	CLIP (2X50)
33	95700-06018-00	BOLT, FLANGE (6X18) '97 '98 CT'97 CT'98
33	95701-06018-00	BOLT, FLANGE (6X18) '97 '98 CT'97 CT'98
33	95701-06018-07	BOLT, FLANGE (6X18) '99'00 CT'99 CT'00

Catalog Title:  
GL1500C/CT '97 - '00 VALKYRIE/VALKYRIE TOURER

Block No.  
F 29

Block Title:  
BATTERY



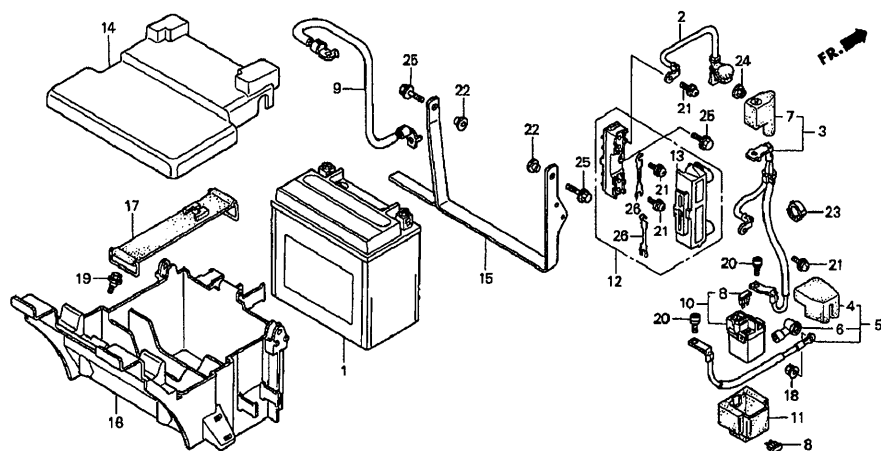
Ref. No.	Part No.	Description
1	31500-HA7-676	BATTERY (YTX14-BS) '97 CT'97
1	31500-HA7-678	BATTERY (YTX14-BS) '97 CT'97
1	31500-HC4-725	BATTERY (YTX14-BS) '97 CT'97
1	31500-HM5-630	BATTERY (YTX14-BS) '97 CT'97
1	31500-HC4-726	BATTERY (YTX14-BS)
1	31500-HM5-631	BATTERY (YTX14-BS) '98 TO '00 CT'98 TO CT'00
2	32120-MZ0-000	CABLE, ALTERNATOR
2	32120-MZ0-760	CABLE, ALTERNATOR
3	32401-MZ0-000	CABLE
4	32406-KAZ-000	COVER
5	32410-MZ0-000	CABLE, STARTER MOTOR
6	32411-473-000	COVER, TERMINAL
7	32414-MW0-000	COVER
8	32507-SM4-003	FUSE (F30) '97 CT'97
8	98200-33000	FUSE, BLADE (30A)
9	32601-MZ0-000	CABLE '97 TO '99 CT'97TO '99
10	35850-MAH-000	SWITCH ASSY. '97 CT'97
10	35850-MT4-000	SWITCH ASSY.
11	35856-KBG-007	RUBBER, SHOCK
12	38250-MN5-003	BOX ASSY., MAIN FUSE
13	38255-MN5-003	COVER, MAIN FUSE B
14	50321-MZ0-000	COVER, BATTERY BOX
15	50322-MZ0-000	HOLDER, BATTERY BOX
16	50325-MZ0-000	BOX, BATTERY
17	50330-MM5-000	BAND, BATTERY

Catalog Title:  
**GL1500C/CT '97 - '00 VALKYRIE/VALKYRIE TOURER**

Block No.  
**F 29**

Block Title:  
**BATTERY**

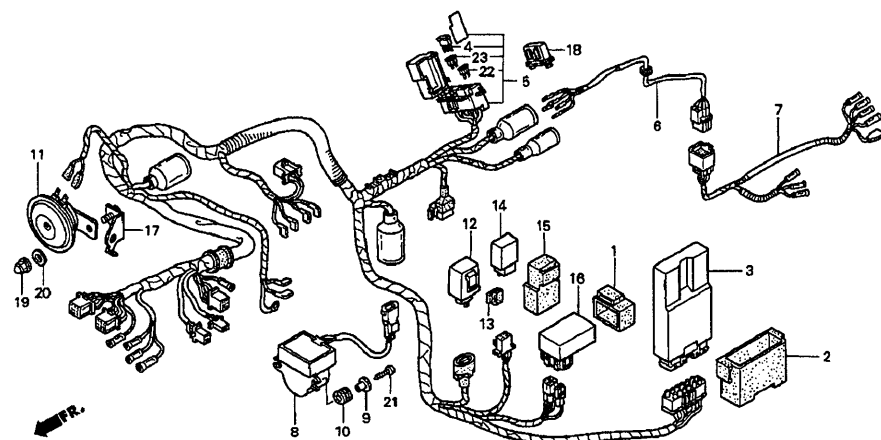
Ref. No.	Part No.	Description
18	90071-MB0-000	NUT-WASHER (6MM)
19	90109-434-000	BOLT (6MM)
20	90111-MR5-000	BOLT, SOCKET (5X9)
21	90153-SB2-003	SCREW-WASHER (5X10)
22	90522-170-700	COLLAR
23	90683-KJ2-003	CLIP, WIRE HARNESS
24	94050-06080	NUT, FLANGE (6MM)
25	95701-06016-08	BOLT, FLANGE (6X16)
26	98200-65500	FUSE G (55A)



Catalog Title:  
**GL1500C/CT '97 - '00 VALKYRIE/VALKYRIE TOURER**

Block No.  
**F 30**

Block Title:  
**WIRE HARNESS**



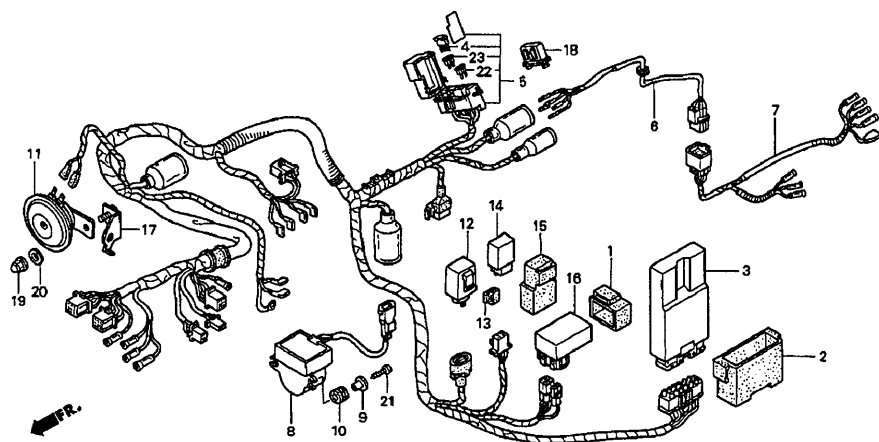
Ref. No.	Part No.	Description
1	30401-GK8-000	RUBBER '97TO '99 CT'97 TO '99
2	30405-MT6-000	RUBBER, SPARK UNIT
3	30410-MZ0-760	MODULE, IGN CONT '97 '98 CT'97 CT'98
3	30410-MZ0-671	MODULE, IGN CONT
4	31730-MAS-601	DIODE, THREE-WAY
5	32100-MZ0-000	WIRE HARNESS '97TO '99 CT'97 TO '99
5	32100-MZ0-A80	WIRE HARNESS '00 CT'00
6	32102-MZ0-000	SUB-HARNESS, RR.
6	32102-MZ0-760	SUB-HARNESS A, RR.
7	32103-MZ0-000	SUB-HARNESS, RR.
7	32103-MZ0-760	SUB-HARNESS B, RR.
8	35161-MZ0-003	SENSOR, KILL
9	35162-MN5-003	COLLAR
10	35163-MN5-003	GROMMET
11	38120-MZ0-003	HORN (LOW) '97 '98 CT'97 CT'98
11	38120-MZ0-A40	HORN ASSY. (LOW) '99 '00 CT'99 CT'00
12	38301-KK9-952	RELAY, TURN SIGNAL
13	38306-GE7-000	SUSPENSION
14	38501-GN2-014	RELAY, STARTER
15	38506-GC7-611	SUSPENSION
16	38710-MZ0-003	INDICATOR UNIT '97'98 '99 - CT'97'98/'99
17	50330-MZ0-000	STAY, HORN '97 '98 CT'97 CT'98
17	50330-MZ0-A40	STAY, HORN'99 '00 CT'99 CT'00
18	80105-MW3-600	STAY, FUSE BOX
19	90301-SA0-000	NUT (8MM)

Catalog Title:  
**GL1500C/CT '97 - '00 VALKYRIE/VALKYRIE TOURER**

Block No.  
**F 30**

Block Title:  
**WIRE HARNESS**

Ref. No.	Part No.	Description
19	90443-KF9-900	NUT, CAP (8MM)
20	90502-MM8-610	WASHER, PLAIN (10MM)
21	93911-14620	SCREW, TAP (4X25)
22	98200-40500	FUSE, BLADE (5A)
23	98200-41000	FUSE F (10A)



Catalog Title:

**GL1500C/CT '97 - '00 VALKYRIE/VALKYRIE TOURER**

Block No.

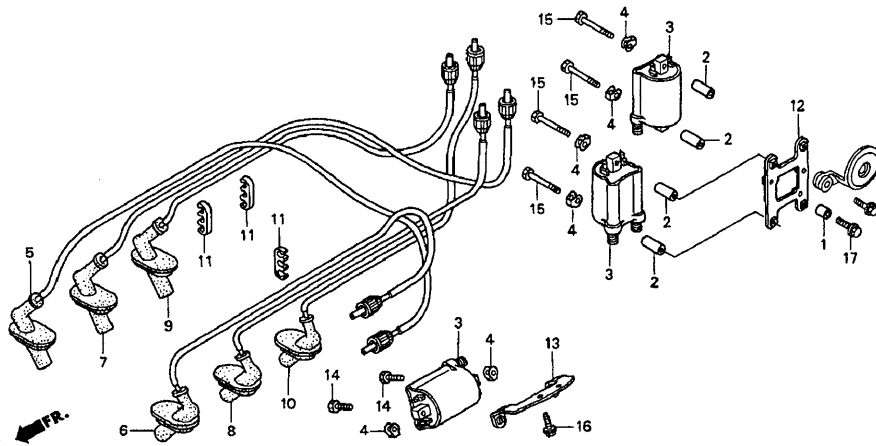
**F 31**

Block Title:

**IGNITION COIL**

**Honda**

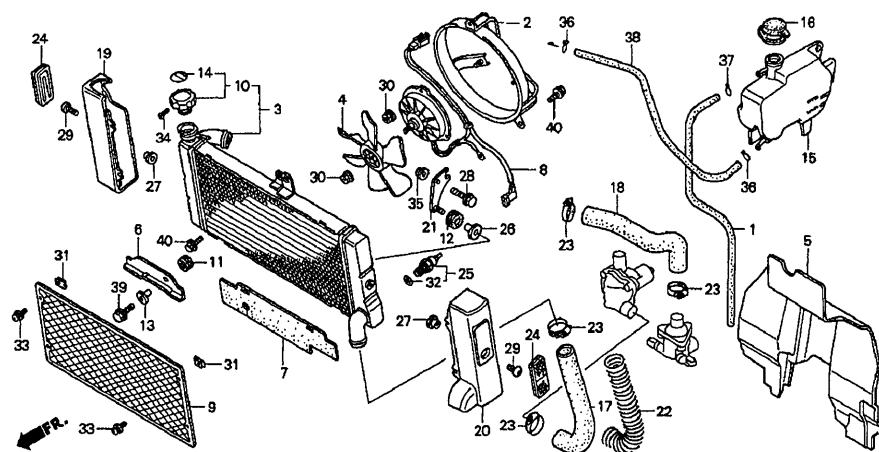
Ref. No.	Part No.	Description
1	17879-758-000	COLR, THROTTLE LEVER
2	17937-881-000	COLLAR, PIVOT
3	30510-KT7-023	COIL, IGNITION
4	30520-ML7-000	SPACER
5	30751-MZ0-003	CAP 1, IGNITION
6	30752-MZ0-003	CAP 2, IGNITION
7	30753-MZ0-003	CAP 3, IGNITION
8	30754-MZ0-003	CAP 4, IGNITION
9	30755-MZ0-003	CAP 5, IGNITION
10	30756-MZ0-003	CAP 6, IGNITION
11	32982-MT2-000	CLAMP B
12	50354-MZ0-000	STAY A
13	50355-MZ0-000	STAY B
14	92101-06020-4J	BOLT, HEX. (6X20)
15	92101-06045-4J	BOLT, HEX. (6X45)
16	96001-06020-00	BOLT, FLANGE (6X20)
17	96001-06028-07	BOLT, FLANGE (6X28)



Catalog Title:  
**GL1500C/CT '97 - '00 VALKYRIE/VALKYRIE TOURER**

Block No.  
**F 32**

Block Title:  
**RADIATOR**



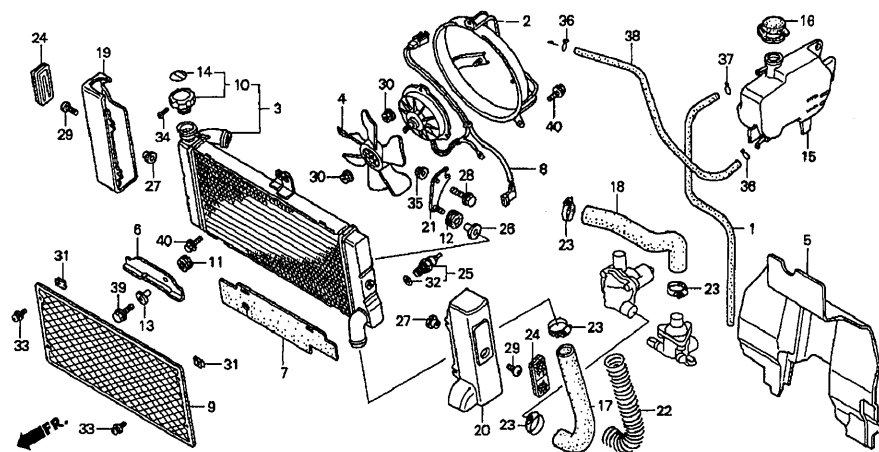
Ref. No.	Part No.	Description
1	17309-MZ0-000	TUBE, RADIATOR
2	19015-MZ0-003	SHROUD
3	19010-MZ0-003	RADIATOR
4	19020-MM5-003	FAN, COOLING
5	19020-MZ0-000	PLATE, AIR GUIDE
6	19021-MZ0-000	PLATE, AIR GUIDE
7	19022-MZ0-000	RUBBER, HEAT GUARD
8	19030-MZ0-003	MOTOR ASSY., FAN
9	19032-MZ0-000	GRILLE, RADIATOR
10	19045-MY3-671	CAP, RADIATOR
11	19051-KA3-830	RUBBER
12	19051-KA4-700	RUBBER
13	19052-MN8-000	COLLAR
14	19055-MV9-921	SEAL, RADIATOR CAP
15	19101-MZ0-000	TK, RADIATOR RESERVE
16	19104-MB0-700	CAP, RESERVE TANK
17	19115-MZ0-000	HOSE, RADIATOR
18	19116-MZ0-000	HOSE, RADIATOR
19	19118-MZ0-000	COVER, R. RADIATOR
20	19119-MZ0-000	COVER, L. RADIATOR
21	19120-MZ0-000	STAY, RADIATOR
22	19123-MZ0-000	PROTR, RADIATOR HOSE '97 '98 '99 CT'97 CT'98 CT'99
22	19123-MBY-000	PROTR, RADIATOR HOSE '00 CT'00
23	19509-MM5-003	CLAMP, R.
24	33740-KR3-671	REFLECTOR, FR.

Catalog Title:  
**GL1500C/CT '97 - '00 VALKYRIE/VALKYRIE TOURER**

Block No.  
**F 32**

Block Title:  
**RADIATOR**

Ref. No.	Part No.	Description
25	37760-MT2-003	SWITCH, THERMOSTAT
26	40521-437-000	COLLAR
27	84705-KE6-890	COLLAR, TAILLIGHT
28	90102-MZ0-000	BOLT, FLANGE (10X50)
29	90105-MM4-000	SCREW, PAN (6X10)
30	90315-MK3-003	NUT, SERRATE (5MM)
31	90344-MF9-000	NUT, CLIP (4MM)
32	91307-PH7-660	O-RING (13.5X1.4)
32	91307-611-000	O-RING (12.5X1.4)
33	93891-04010-07	SCREW-WASHER (4X10)
33	93891-04010-08	SCREW-WASHER (4X10)
34	93901-22180	SCREW, TAPPING (3X8)
35	90303-428-900	NUT, FLANGE (10MM)
35	94050-10070	NUT, FLANGE (10MM)
36	95002-02100	CLIP, TUBE (B10)
37	95002-50000	CLIP, TUBE (C9)
38	95005-50003-30M	BULK HOSE (5X3000)
39	95701-06022-07	BOLT, FLANGE (6X22)
40	96001-06010-00	BOLT, FLANGE (6X10)

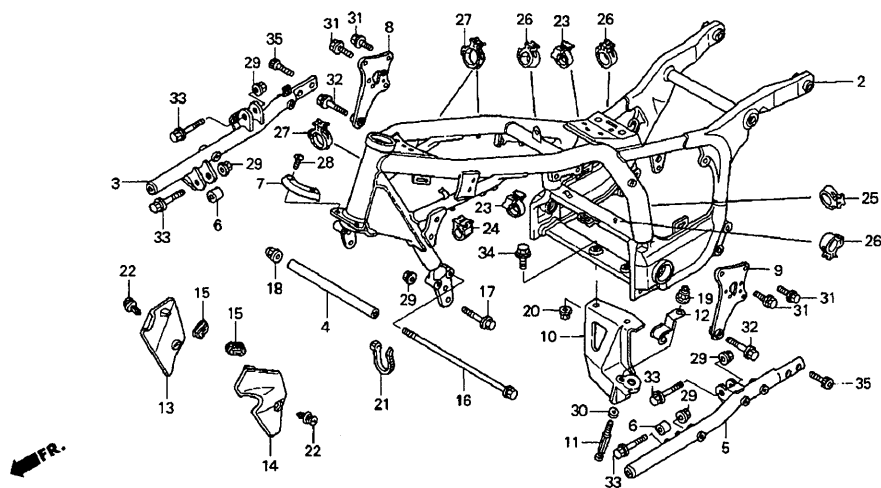


Catalog Title:  
**GL1500C/CT '97 - '00 VALKYRIE/VALKYRIE TOURER**

Block No.  
**F 33**

Block Title:  
**FRAME**

Ref. No.	Part No.	Description
2	50100-MZ0-000	FRAME
3	50174-MZ0-000	SUB-FRAME, R.
4	50181-MZ0-000	PIPE, FR. CROSS
5	50184-MZ0-000	SUB-FRAME, L.
6	50200-MZ0-000	BUSH, ENGINE HANGER
7	50341-MZ0-000	CVR, HANDLE STOPPER
8	50351-MZ0-000	BRACKET, R. ENG HGR
9	50352-MZ0-000	BRACKET, L. ENG HGR
10	50535-MZ0-000	BRACKET, SIDE STAND
11	50536-MZ0-000	HOOK, SPRING
12	50537-MZ0-000	CLIP, BREATHER TUBE
13	63500-MZ0-000	COVER, R. FR. SIDE
14	63501-MZ0-000	COVER, L. FR. SIDE
15	83601-MB0-000	GROMMET A
16	90101-MZ0-000	BOLT, FLANGE (10X36)
17	90102-MZ0-000	BOLT, FLANGE (10X50)
18	90202-MR1-000	NUT (10MM)
19	90301-MG3-000	NUT, U (6MM)
20	90306-KF0-003	NUT, FLANGE (12MM)
21	90650-MA6-720	BAND, WIRE HARNESS
22	90683-GR1-003	CLIP, BODY COVER
23	90690-GHB-611	CLIP (25MM)
23	90690-GHB-661	CLIP, CABLE (20MM)

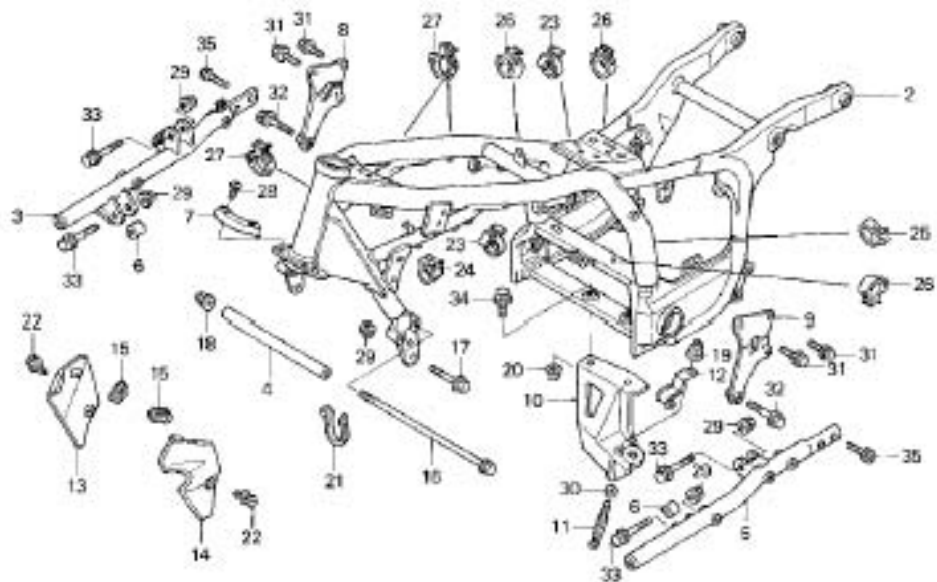


Catalog Title:  
GL1500C/CT '97 - '00 VALKYRIE/VALKYRIE TOURER

Block No.  
F 33

Block Title:  
FRAME

Ref. No.	Part No.	Description
24	90690-GHB-631	CLIP, CABLE (8MM) '97
24	90690-GHB-641	CLIP, CABLE (10MM) '98 TO '00 CT'97 TO CT'00
25	90690-GHB-651	CLIP, CABLE (15MM)
26	90690-GHB-671	CLIP, CABLE (25MM)
27	90690-GHB-681	CLIP, CABLE (30MM)
28	93500-04006-0G	SCREW, PAN (4X6)
29	90303-426-900	NUT, FLANGE (10MM)
29	94050-10070	NUT, FLANGE (10MM)
30	94101-06700	WASHER, PLAIN (6MM) '97'98'99 CT'97 TO CT'99
31	95701-08020-07	BOLT, FLANGE (8X20) '00 CT'00
32	95801-10050-00	BOLT, FLANGE (10X50)
33	95800-10050-07	BOLT, FLANGE (10X50)
33	95801-10050-07	BOLT, FLANGE (10X50)
34	95801-12050-00	BOLT, FLANGE (12X50)
34	95801-12055-00	BOLT, FLANGE (12X55) '99 '00 CT'99 CT'00
35	96600-10020-07	BOLT, SOCKET (10X20)

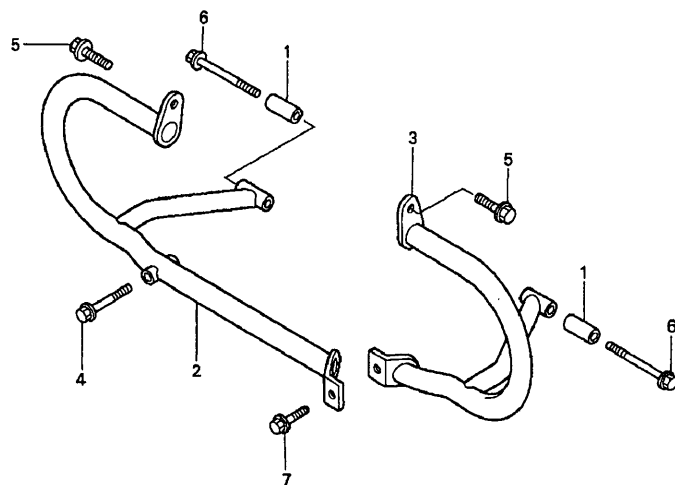


Catalog Title:  
**GL1500C/CT '97 - '00 VALKYRIE/VALKYRIE TOURER**

Block No.  
**F 34**

Block Title:  
**ENGINE GUARD**

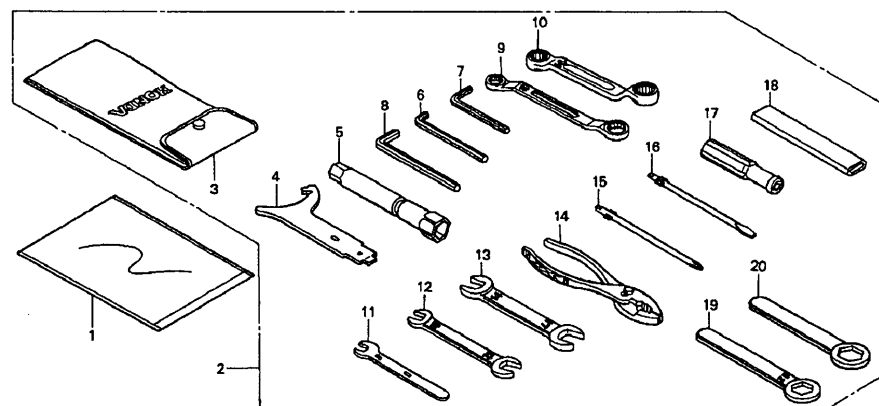
Ref. No.	Part No.	Description
1	50311-GJ1-000	COLLAR
2	62501-MZ0-000	GUARD, R. ENGINE
3	62503-MZ0-000	GUARD, L. ENGINE
4	90064-KK3-830	BOLT (8X56)
5	90106-MB2-000	BOLT, FLANGE (8X16)
6	90127-126-900	BOLT (8X90)
7	90183-438-000	BOLT (8X26)



Catalog Title:  
**GL1500C/CT '97 - '00 VALKYRIE/VALKYRIE TOURER**

Block No.  
**F 35**

Block Title:  
**TOOLS (1) '97 '98 '99 CT'97 CT'98 CT'99**



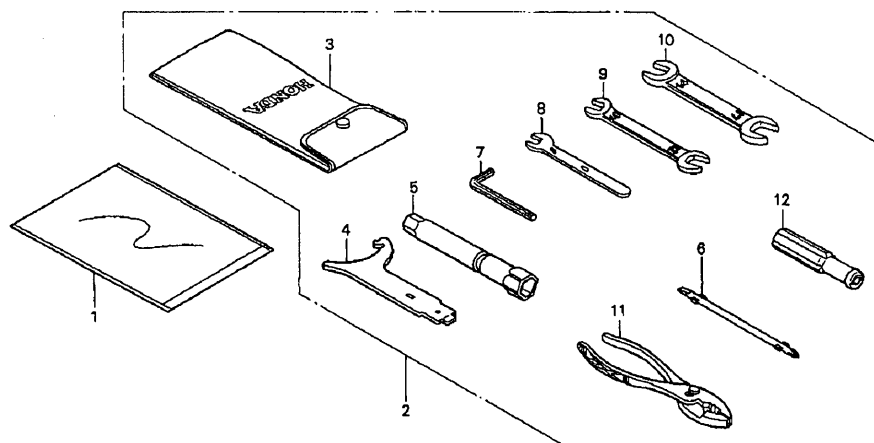
Ref. No.	Part No.	Description
1	77251-342-000	BAG, SERVICE BOOK '97 CT'97
1	77251-MAH-A40	BAG, SERVICE BOOK '98'99 CT'98 CT'99
2	89010-MZ0-000	TOOL SET
3	89101-MB0-000	TOOL BAG
3	89101-MS8-000	TOOL BAG
4	89202-MT3-000	WRENCH, PIN
5	89216-MR1-000	WRENCH, PLUG
6	89221-MB0-000	WRENCH, HEX. (5MM)
7	89221-429-000	WRENCH, HEX. (5MM)
8	89222-371-000	WRENCH, HEX. (8MM)
9	89227-461-000	WRENCH, EYE (10X12)
10	89228-MR8-000	WRENCH, EYE (14X17)
11	99001-08000	WRENCH (8MM)
12	99001-10120	WRENCH (10X12)
13	99001-14170	WRENCH (14X17)
14	99002-13500	PLIERS (135MM)
15	99003-10000	SCREWDRIVER 1 (NO.2)
16	99003-30000	SCREWDRIVER 3
17	99003-50000	GRIP
18	99006-12000	HANDLE (120MM)
19	99006-22000	WRENCH, EYE (22MM)
20	99006-27000	WRENCH, EYE (27MM)

Catalog Title:  
**GL1500C/CT '97 - '00 VALKYRIE/VALKYRIE TOURER**

Block No.  
**F 3501**

Block Title:  
**TOOLS (2) '00 CT'00**

Ref. No.	Part No.	Description
1	77251-MAH-A40	BAG, SERVICE BOOK
2	89010-MBY-000	TOOL SET
3	89101-MC7-000	TOOL BAG
3	89101-ME5-670	BAG, TOOL
4	89202-MT3-000	WRENCH, PIN
5	89216-MR1-000	WRENCH, PLUG
6	89217-MAT-000	SCREWDRIVER
7	89221-429-000	WRENCH, HEX. (5MM)
8	99001-08000	WRENCH (8MM)
9	99001-10120	WRENCH (10X12)
10	99001-14170	WRENCH (14X17)
11	89210-GBJ-J00	PLIERS (135)
11	89210-GBJ-J10	PLIERS (135)
11	99002-13500	PLIERS (135MM)
12	99003-50000	GRIP

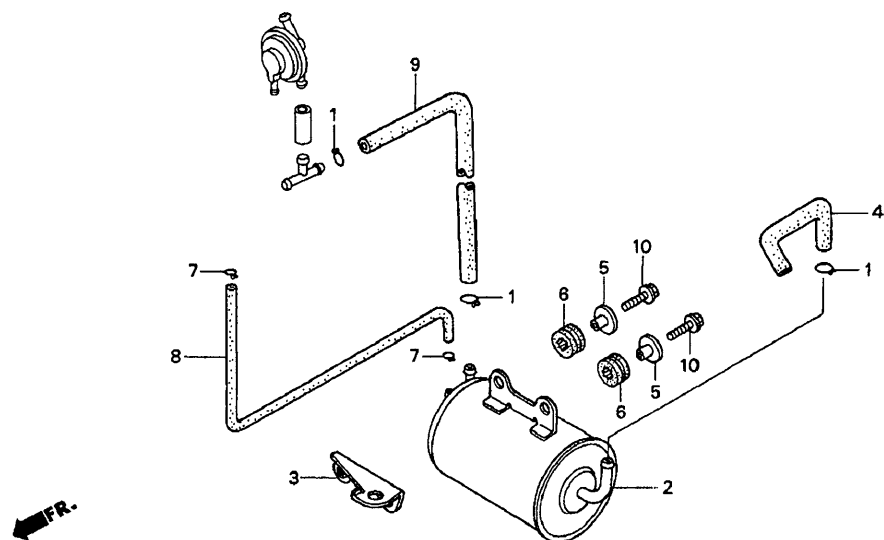


Catalog Title:  
**GL1500C/CT '97 - '00 VALKYRIE/VALKYRIE TOURER**

Block No.  
**F 36**

Block Title:  
**EVAP CANISTER(AC)**

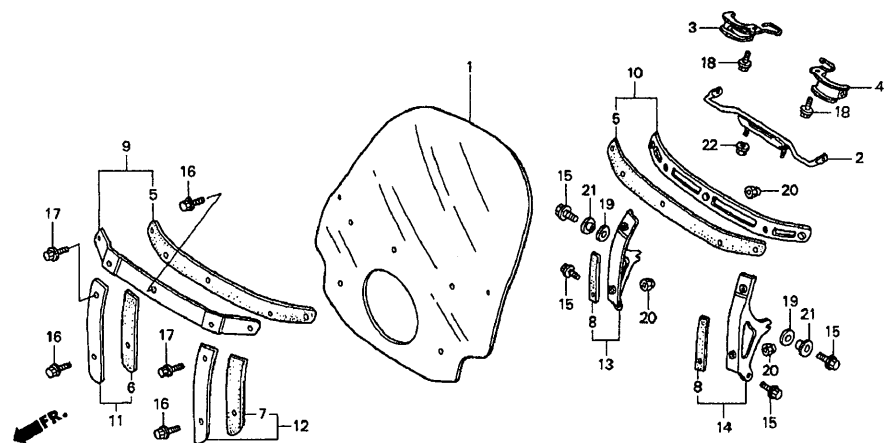
Ref. No.	Part No.	Description
1	15772-MB3-000	CLIP, TUBE
2	17410-MV9-772	CANISTER
3	17411-MZ0-770	STAY, CANISTER
4	17412-MZ0-770	TUBE, BREATHER
5	61104-357-000	COLLAR, FR. FENDER
5	61104-428-000	COLLAR, FR. FENDER
6	61304-415-000	RUBBER
7	95002-02080	CLIP, TUBE (B8)
8	95005-45001-20M	BULK HOSE (4.5X1000)
9	95005-80001-20M	BULK HOSE (8X1000)
10	95701-06022-08	BOLT, FLANGE (6X22)



Catalog Title:  
**GL1500C/CT '97 - '00 VALKYRIE/VALKYRIE TOURER**

Block No.  
**F 37**

Block Title:  
**WIND SCREEN CT'97 CT'98 CT'99 CT'00**

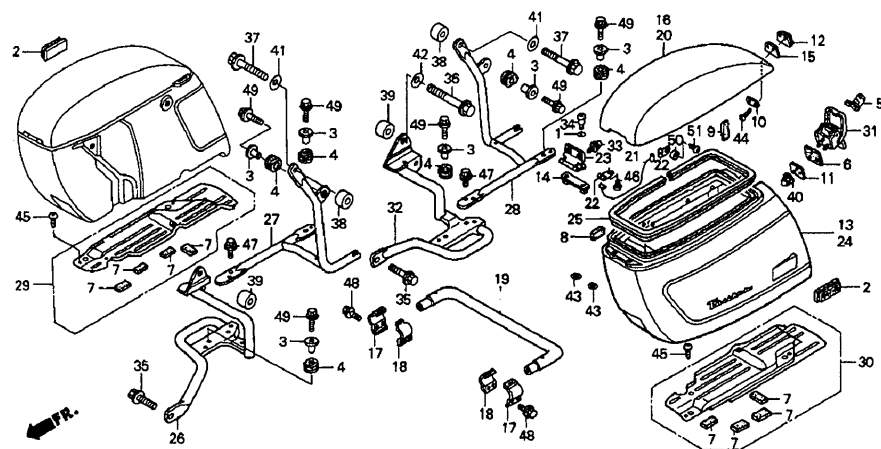


Ref. No.	Part No.	Description
1	64100-MZ0-700	WINDSCREEN
2	64515-MZ0-700	BRACKET, WINDSCREEN
3	64516-MZ0-700	BRACKET, R. (UPPER)
4	64517-MZ0-700	BRACKET, L. (UPPER)
5	64521-MZ0-700	RUBBER A, WINDSCREEN
6	64522-MZ0-700	RUBBER B, R.
7	64523-MZ0-700	RUBBER B, L.
8	64524-MZ0-700	RUBBER C, WINDSCREEN
9	64530-MZ0-700	STAY ASSY., FR.
10	64531-MZ0-700	STAY ASSY.
11	64532-MZ0-700	STAY ASSY., R. FR.
12	64533-MZ0-700	STAY ASSY., L. FR.
13	64534-MZ0-700	STAY, R. WINDSCREEN
14	64535-MZ0-700	STAY, L. WINDSCREEN
15	90016-MN5-000	BOLT, FLANGE (6X14)
16	90108-MZ0-700	BOLT, FLANGE (6X16)
17	90112-MZ0-700	BOLT, FLANGE (6X20)
18	90123-KV0-000	BOLT, FLANGE (8X16)
19	90148-SA0-000	WASHER, BUMPER BOLT
20	90201-425-700	NUT, CAP (6MM)
21	90512-300-000	WASHER (6X20)
22	94050-08000	NUT, FLANGE (8MM)

Catalog Title:  
**GL1500C/CT '97 - '00 VALKYRIE/VALKYRIE TOURER**

Block No.  
**F 38**

Block Title:  
**SADDLEBAG CT'97 CT'98 CT'99 CT'00**

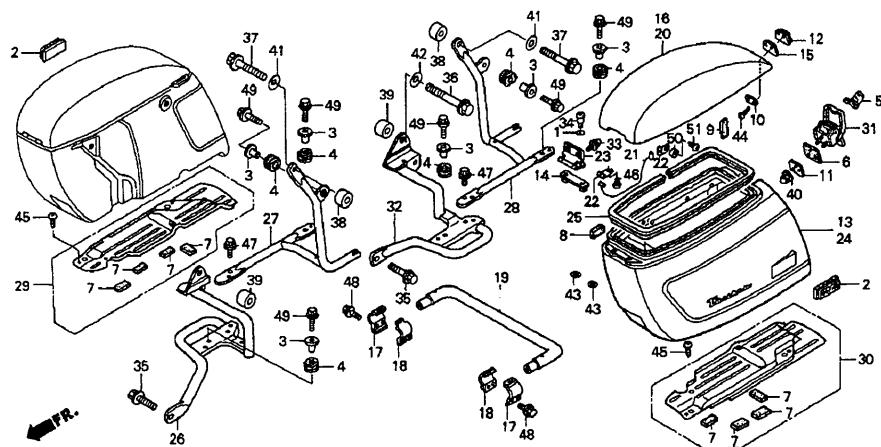


Ref. No.	Part No.	Description
1	33408-166-611	SEAL, GASKET
2	33741-MZ7-003	REFLECTOR, REFLEX
3	80101-KV2-900	COLLAR (6X15)
4	80201-MJ8-000	RUBBER, TAILLIGHT
5	81171-MT3-003	CYLINDER A, BAG LOCK
6	81175-MT3-003	RUBBER, LOCK
7	81214-MT3-300	RUBBER, PROTECTOR
8	81215-MZ0-700	SEAL, SADDLEBAG CT'98 '99 '00
9	81216-MZ0-700	PROTECTOR CT '98 '99 '00
10	81222-MG9-770	PLATE, HOOK SETTING
11	81223-MG9-770	PLATE, LOCK SETTING
12	81223-MT3-000	HOOK, LOCK
13	81224-MZ0-700ZC	SDLBG, R. *R191A* CT'97
13	81224-MZ0-700ZG	SDLBG, R. *G159P* CT'97
13	81224-MZ0-700ZH	SDLBG, R. (TYPE1) CT'97
13	81224-MZ0-700ZJ	SDLBG (TYPE4 1) CT'97
13	81224-MZ0-700ZF	SDLBG, R. *NH1* CT'97 CT'98
13	81224-MZ0-A60ZB	SDLBG *NH1* (TYPE5) CT'97 CT'98 CT'99
13	81224-MZ0-A20ZA	SDLBG, R. *NH1G* CT'98
13	81224-MZ0-A20ZB	SDLBG, R. *R223Q* CT'98
13	81224-MZ0-A20ZC	SDLBG *NH1G* (TYPE9) CT'98
13	81224-MZ0-A60ZD	SDLBG, R. *R223Q* CT'98 CT'99
13	81224-MZ0-A60ZA	SDLBG, R. (TYPE11) CT'99
13	81224-MZ0-A60ZC	SDLBG, R. (TYPE6) CT'99
13	81224-MZ0-A60ZE	SADDLEBAG SET *NH1E* CT'99

Catalog Title:  
**GL1500C/CT '97 - '00 VALKYRIE/VALKYRIE TOURER**

Block No.  
**F 38**

Block Title:  
**SADDLEBAG**

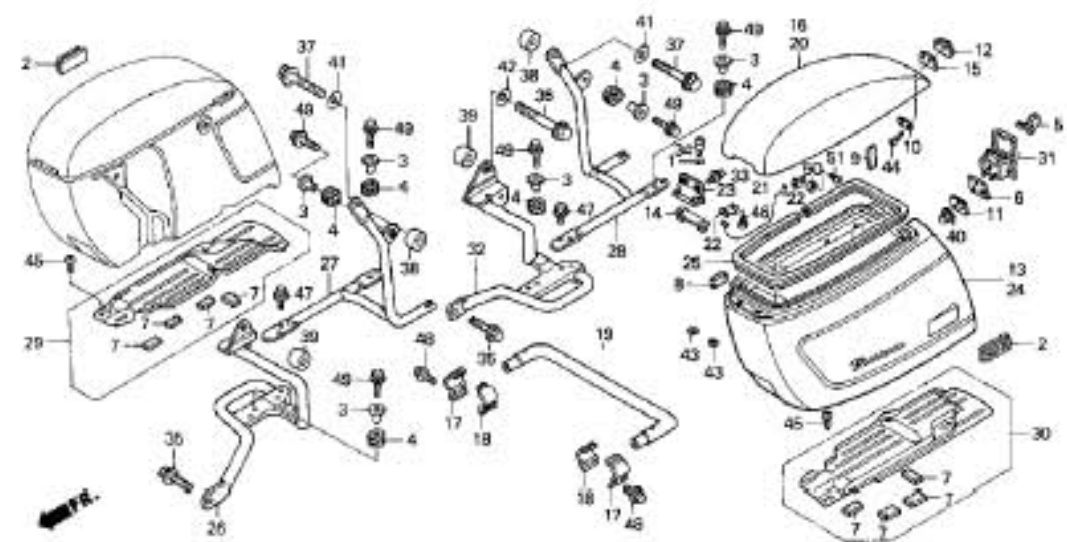


Ref. No.	Part No.	Description
13	81224-MZ0-A90ZA	SDLBG, R. (TYPE13) CT'00
13	81224-MZ0-A90ZB	SDLBG, R. (TYPE5) CT'00
14	81228-MZ0-700	PLATE, NUT
15	81229-MZ0-700	RUBBER, HOOK
16	81230-MZ0-700ZD	LID, R. *R191* CT'97
16	81230-MZ0-700ZF	LID, R. *G159P* CT'97
16	81230-MZ0-700ZC	LID, R. *NH1* CT'97 CT'98 CT'99
16	81230-MZ0-701ZC	LID, R. *NH1* CT'97 CT'98 CT'99 CT'00
16	81230-MZ0-700ZH	LID, R. *R223P* CT'98 CT'99
16	81230-MZ0-701ZH	LID, R. *R223P*
17	81235-463-770	BAND A, RR. BUMPER
18	81236-463-770	BAND B, RR. BUMPER
19	81237-MZ0-700	PIPE, RR. JOINT
20	81240-MZ0-700ZD	LID, L. *R191* CT'97
20	81240-MZ0-700ZE	LID, L. *G159P* CT'97
20	81240-MZ0-700ZC	LID, L. *NH1* CT'97 CT'98 CT'99
20	81240-MZ0-700ZG	LID, L. *R223P* CT'98 CT'99
20	81240-MZ0-701ZC	LID, L. *NH1* CT'00
21	81251-MZ0-700	STOPPER
22	81254-MN5-000	STAY B, LID STOPPER
23	81315-MZ0-700	HINGE, SADDLEBAG
24	81424-MZ0-700ZF	SDLBG, L. *NH1* CT'97
24	81424-MZ0-700ZG	SDLBG, L. *G159Q* CT'97
24	81424-MZ0-700ZH	SADDLEBAG SET, L. (TYPE1 1) CT'97
24	81424-MZ0-A20ZA	SDLBG, L. *NH1* CT'97 CT'98

Catalog Title:  
GL1500C/CT '97 - '00 VALKYRIE/VALKYRIE TOURER

Block No.  
F 38

Block Title:  
SADDLEBAG

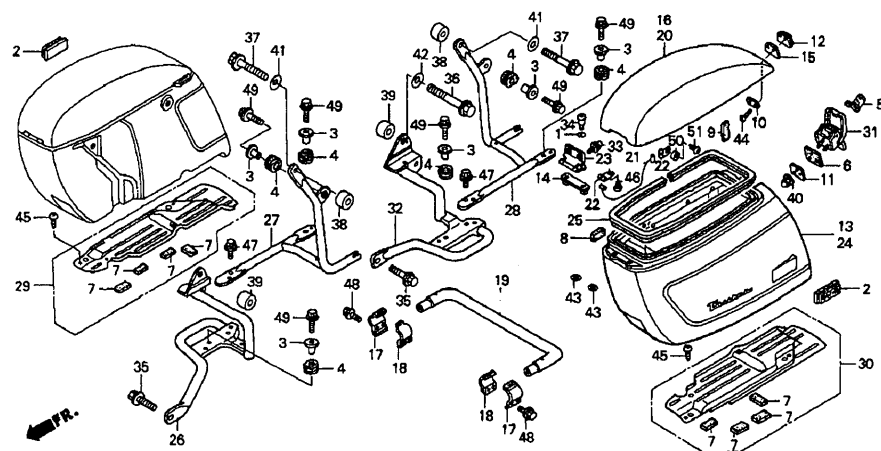


Ref. No.	Part No.	Description
24	81424-MZ0-A60ZB	SDLBG "NH1" (TYPE5) CT'97 CT'98 CT'99
24	81424-MZ0-A20ZB	SDLBG, L. "R223Q" CT'98
24	81424-MZ0-A20ZC	SDLBG "NH1G" (TYPE9) CT'98
24	81424-MZ0-A60ZD	SDLBG, L. "R223Q" CT'98 CT'99
24	81424-MZ0-A60ZA	SDLBG, L. (TYPE11) CT'99
24	81424-MZ0-A60ZC	SDLBG, L. (TYPE6) CT'99
24	81424-MZ0-A60ZE	SADDLEBAG SET "NH1E" CT'99
24	81424-MZ0-A90ZA	SDLBG, L. (TYPE13) CT'00
24	81424-MZ0-A90ZB	SDLBG, L. (TYPE5) CT'00
25	83504-MZ0-700	RUBBER
26	84250-MZ0-700	STAY A, R. SADDLEBAG
27	84251-MZ0-700	STAY B, R. SADDLEBAG
28	84252-MZ0-700	STAY B, L. SADDLEBAG
29	84255-MZ0-700	GUARD, R.
30	84256-MZ0-700	GUARD, L.
31	84260-MT3-003	LOCK ASSY, B. BAG
32	84260-MZ0-700	STAY A, L. SADDLEBAG
33	90105-MB1-000	SCREW (5X12)
34	90115-KY4-880	SCREW
35	90123-KR3-000	BOLT (8X23)
36	90124-MM2-660	BOLT, FLANGE (10X70)
37	90127-KC1-730	BOLT, FLANGE (8X65) CT'97
37	90127-MM2-000	BOLT (8X65) CT'97
37	90115-MZ0-700	BOLT (8X68) CT'98 CT'99 CT'00
38	90206-MZ0-700	COLLAR (8X15)

Catalog Title:  
**GL1500C/CT '97 - '00 VALKYRIE/VALKYRIE TOURER**

Block No.  
**F 38**

Block Title:  
**SADDLEBAG**



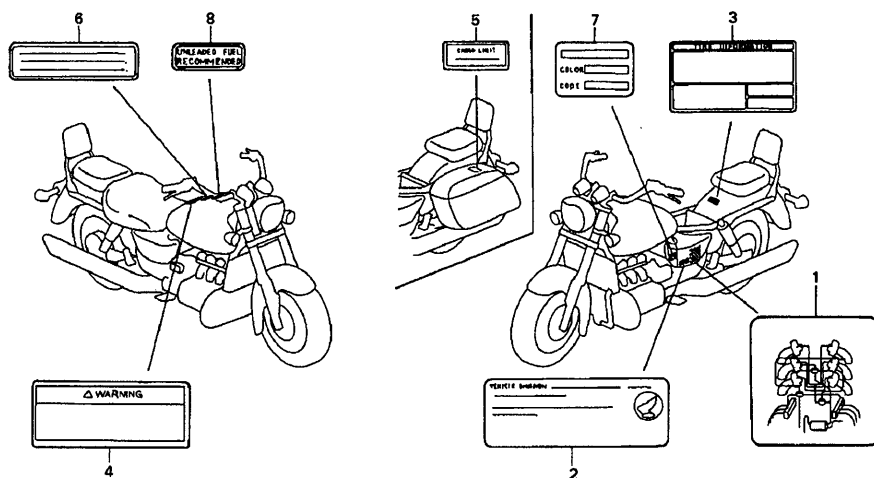
Ref. No.	Part No.	Description
39	90207-MZ0-700	COLLAR (10X15)
40	90305-SJ4-003	NUT, MOLDING SIDE
41	90501-MM8-610	WASHER, PLAIN (8MM)
42	90502-MM8-610	WASHER, PLAIN (10MM)
43	91306-MG3-000	O-RING (1.5X9.5)
43	91306-105-690	O-RING (1.5X9.5)
44	93500-04010-0G	SCREW, PAN (4X10)
45	93903-34280	SCREW, TAP (4X10)
46	93913-24280	SCREW, TAP (4X12)
47	95701-06014-02	BOLT, FLANGE (6X14)
48	95701-06016-02	BOLT, FLANGE (6X16)
49	96001-06028-00	BOLT, FLANGE (6X28)
50	52156-GB0-900	COLLAR, HANDLE COVER CT'98 CT'99 CT'00
51	93913-24280	SCREW, TAP (4X12) CT'97
51	93913-24580	SCREW, TAP (4X20) CT'98 CT'99 CT'00

Catalog Title:  
**GL1500C/CT '97 - '00 VALKYRIE/VALKYRIE TOURER**

Block No.  
**F 39**

Block Title:  
**CAUTION LABEL (1) '97 '98 '99 CT'97 CT'98 CT'99**

Ref. No.	Part No.	Description
1	87135-MZ0-770	DIAGRAM '97 CT'97
1	87135-MZ0-L00	DIAGRAM '98 CT'98
1	87135-MZ0-L20	DIAGRAM '99 CT'99
2	87139-463-670	LABEL, HIGH ALTITUDE
3	87505-MZ0-670	LABEL, TIRE
4	87512-MZ3-670	MARK
5	87520-MZ3-300	LABEL (9.0KG) CT'97 CT'98 CT'99
6	87560-MZ0-670	LABEL, DRIVE
7	87565-MZ0-670ZA	LABEL, COLOR *R191A* '97
7	87565-MZ0-670ZB	LABEL *P17A* (TYPE2) '97
7	87565-MZ0-670ZC	LABEL *NH1* (TYPE3) '97
7	87565-MZ0-670ZD	LABEL *NH1* (TYPE4) '97
7	87565-MZ0-A00ZD	LABEL *NH1* (TYPE4) '98
7	87565-MZ0-A00ZE	LABEL, COLOR *R223Q* '98
7	87565-MZ0-A00ZF	LABEL *PB255Q* '98
7	87565-MZ0-A00ZG	LABEL *Y146* (TYPE7) '98
7	87565-MZ0-A40ZA	LABEL *NH1* (TYPE4) '99
7	87565-MZ0-A40ZB	LABEL, COLOR *Y146Q* '99
7	87565-MZ0-A40ZC	LABEL *NH1E* (TYPE8) '99
7	87565-MZ0-A40ZD	LABEL *NH1O* (TYPE9) '99
7	87565-MZ0-700ZA	LABEL, COLOR *R191A* CT'97
7	87565-MZ0-700ZB	LABEL, COLOR *G159P* CT'97
7	87565-MZ0-700ZC	LABEL *NH1* (TYPE3) CT'97
7	87565-MZ0-A20ZC	LABEL *NH1* (TYPE3) CT'98
7	87565-MZ0-A20ZD	LABEL, COLOR *R223Q* CT'98

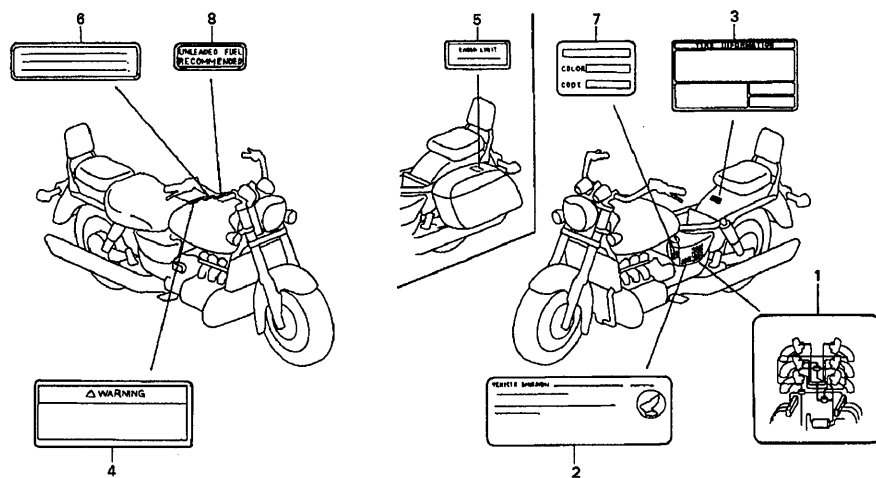


Catalog Title:  
**GL1500C/CT '97 - '00 VALKYRIE/VALKYRIE TOURER**

Block No.  
**F 39**

Block Title:  
**CAUTION LABEL (1) '97 '98 '99 CT'97 CT'98 CT'99**

Ref. No.	Part No.	Description
7	87565-MZ0-A20ZE	LABEL *NH1G* (TYPE5) CT'98
7	87565-MZ0-A60ZA	LABEL *NH1* (TYPE3) CT'99
7	87565-MZ0-A60ZB	LABEL, COLOR *R223Q* CT'99
7	87565-MZ0-A60ZD	LABEL *NH1E* (TYPE6) CT'99
8	87586-MR6-670ZA	LABEL, FUEL (TYPEG) '97 CT'97

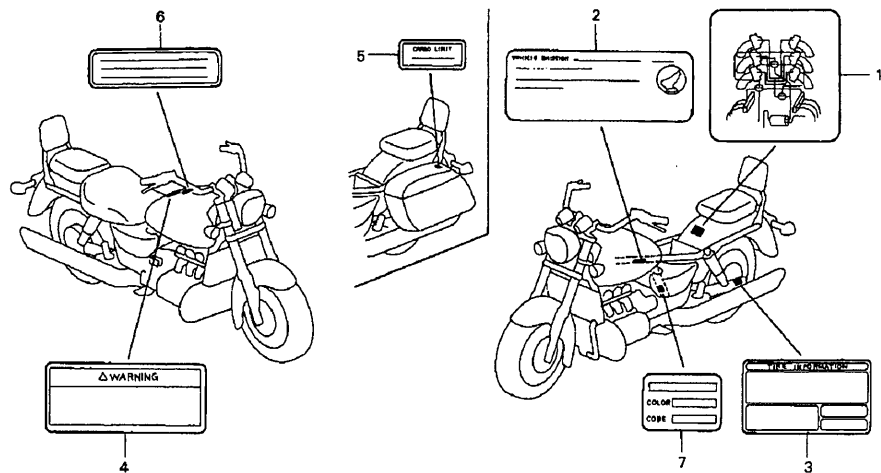


Catalog Title:  
**GL1500C/CT '97 - '00 VALKYRIE/VALKYRIE TOURER**

Block No.  
**F 3901**

Block Title:  
**CAUTION LABEL (2) '00 CT'00**

Ref. No.	Part No.	Description
1	87135-MZ0-L40	DIAGRAM
2	87139-463-670	LABEL, HIGH ALTITUDE
3	87505-MZ0-670	LABEL, TIRE
4	87512-MZ3-670	MARK
5	87520-MZ3-300	LABEL (9.0KG) CT'00
6	87560-MZ0-670	LABEL, DRIVE
7	87565-MZ0-A80ZA	LABEL, COLOR *NH1K* '00
7	87565-MZ0-A80ZB	LABEL, COLOR *NH1Y* '00
7	87565-MZ0-A80ZC	LABEL *NH1* (TYPE4) '00
7	87565-MZ0-A90ZC	LABEL *NH1* (TYPE3) CT '00
7	87565-MZ0-A90ZD	LABEL, COLOR *NH1K* (TYPE7) CT'00

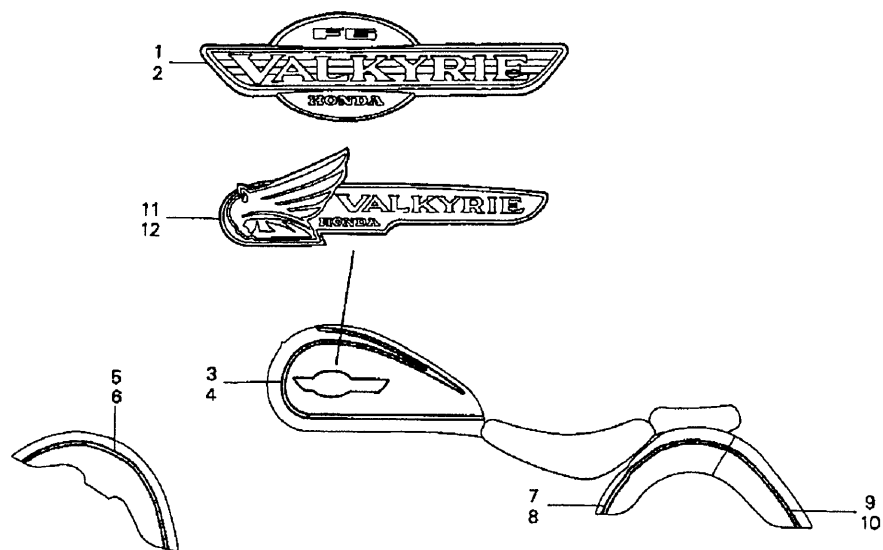


Catalog Title:  
**GL1500C/CT '97 - '00 VALKYRIE/VALKYRIE TOURER**

Block No.  
**F 40**

Block Title:  
**STRIPE / MARK (GL1500C) '97 '98 '99 '00**

Ref. No.	Part No.	Description
1	17531-MZ0-670ZA	EMBLEM, R. (TYPE1) '97 '98 '99
2	17532-MZ0-670ZA	EMBLEM, L. (TYPE1) '97 '98 '99
3	17535-MZ0-670ZA	STRIPE, R. (TYPE1) '97
3	17535-MZ0-670ZB	STRIPE, R. (TYPE2) '97
3	17535-MZ0-670ZC	STRIPE, R. (TYPE3) '97
3	17535-MZ0-A00ZA	STRIPE, R. (TYPE6) '98
3	17535-MZ0-A00ZB	STRIPE, R. (TYPE7) '98
3	17535-MZ0-A00ZC	STRIPE, R. (TYPE8) '98
3	17535-MZ0-A40ZA	STRIPE, R. (TYPE11) '99
3	17535-MZ0-A40ZB	STRIPE, R. (TYPE12) '99
3	17535-MZ0-A40ZC	STRIPE, R. (TYPE8) '99
3	17535-MZ0-A80ZA	STRIPE, R. (TYPE13) '00
3	17535-MZ0-A80ZB	STRIPE, R. (TYPE14) '00
4	17536-MZ0-670ZA	STRIPE, L. (TYPE1) '97
4	17536-MZ0-670ZB	STRIPE, L. (TYPE2) '97
4	17536-MZ0-670ZC	STRIPE, L. (TYPE3) '97
4	17536-MZ0-A00ZA	STRIPE, L. (TYPE6) '98
4	17536-MZ0-A00ZB	STRIPE, L. (TYPE7) '98
4	17536-MZ0-A00ZC	STRIPE, L. (TYPE8) '98
4	17536-MZ0-A40ZA	STRIPE, L. (TYPE11) '99
4	17536-MZ0-A40ZB	STRIPE, L. (TYPE12) '99
4	17536-MZ0-A40ZC	STRIPE, L. (TYPE8) '99
4	17536-MZ0-A80ZA	STRIPE, L. (TYPE13) '00
4	17536-MZ0-A80ZB	STRIPE, L. (TYPE14) '00
5	61111-MZ0-670ZA	STRIPE, R. (TYPE1) '97

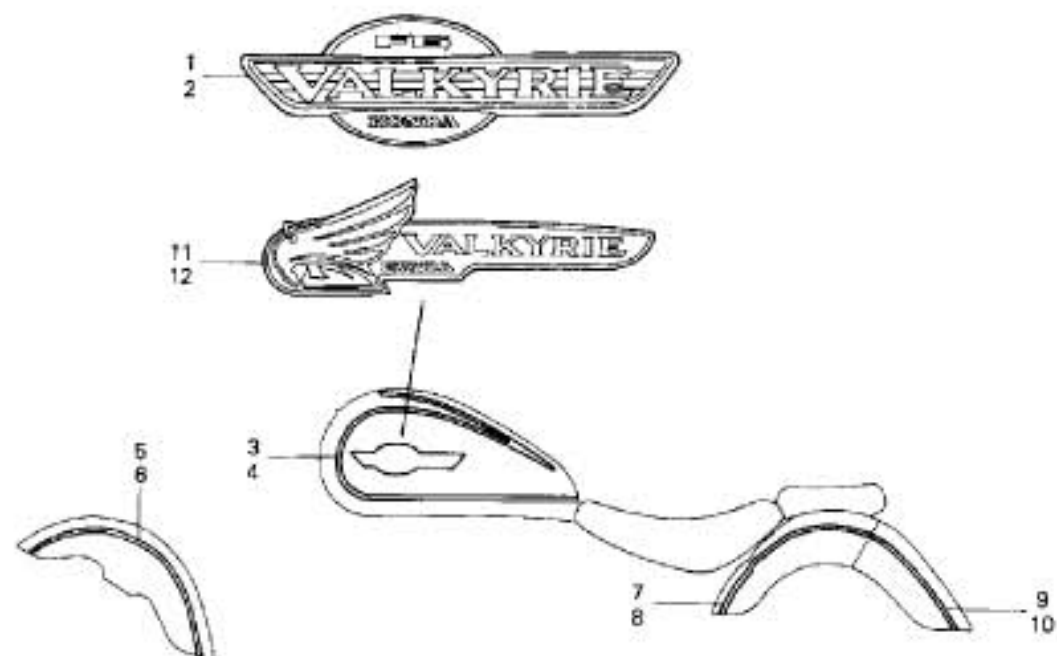


Catalog Title:  
GL1500C/CT '97 - '00 VALKYRIE/VALKYRIE TOURER

Block No.  
F 40

Block Title:  
STRIPE / MARK (GL1500C)

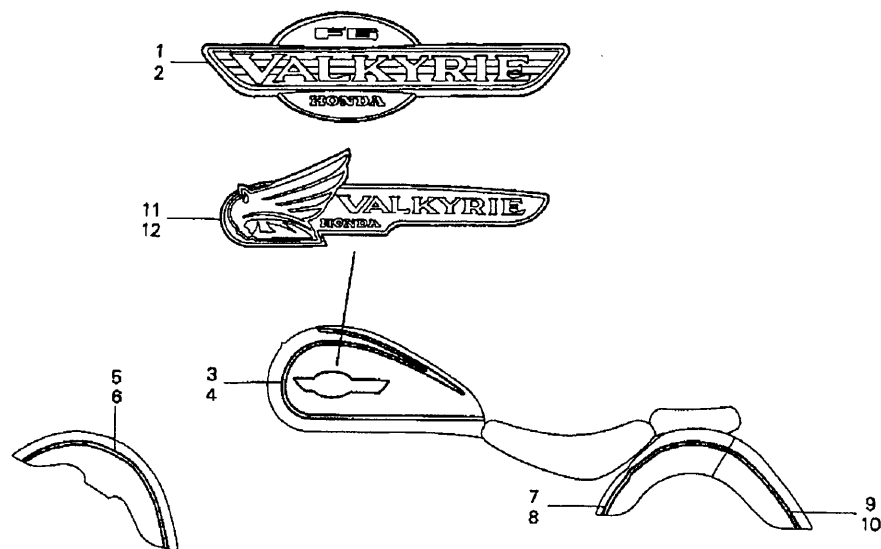
Ref. No.	Part No.	Description
5	61111-MZ0-670ZB	STRIPE, R. (TYPE2) '97
5	61111-MZ0-670ZC	STRIPE, R. (TYPE3) '97
5	61111-MZ0-A00ZA	STRIPE, R. (TYPE6) '98
5	61111-MZ0-A00ZB	STRIPE, R. (TYPE7) '98
5	61111-MZ0-A00ZC	STRIPE, R. (TYPE8) '98
5	61111-MZ0-A40ZA	STRIPE, R. (TYPE11)'99
5	61111-MZ0-A40ZB	STRIPE, R. (TYPE12) '99
5	61111-MZ0-A40ZC	STRIPE, R. (TYPE8) '99
5	61111-MZ0-A80ZA	STRIPE, R. (TYPE13) '00
5	61111-MZ0-A80ZB	STRIPE, R. (TYPE14) '00
6	61112-MZ0-670ZA	STRIPE, L (TYPE1) '97
6	61112-MZ0-670ZB	STRIPE, L (TYPE2) '97
6	61112-MZ0-670ZC	STRIPE, L (TYPE3) '97
6	61112-MZ0-A00ZA	STRIPE, L (TYPE6) '98
6	61112-MZ0-A00ZB	STRIPE, L (TYPE7) '98
6	61112-MZ0-A00ZC	STRIPE, L (TYPE8) '98
6	61112-MZ0-A40ZA	STRIPE, L (TYPE11) '99
6	61112-MZ0-A40ZB	STRIPE, L (TYPE12) '99
6	61112-MZ0-A40ZC	STRIPE, L (TYPE8) '99
6	61112-MZ0-A80ZA	STRIPE, L (TYPE13)'00
6	61112-MZ0-A80ZB	STRIPE, L (TYPE14) '00
7	80111-MZ0-670ZA	STRIPE, R. (TYPE1) '97
7	80111-MZ0-670ZB	STRIPE, R. (TYPE2) '97
7	80111-MZ0-670ZC	STRIPE, R. (TYPE3) '97
7	80111-MZ0-A00ZA	STRIPE, R. (TYPE6) '98



Catalog Title:  
**GL1500C/CT '97 - '00 VALKYRIE/VALKYRIE TOURER**

Block No.  
**F 40**

Block Title:  
**STRIPE / MARK (GL1500C)**



Ref. No.	Part No.	Description
7	80111-MZ0-A00ZB	STRIPE, R. (TYPE7) '98
7	80111-MZ0-A00ZC	STRIPE, R. (TYPE8) '98
7	80111-MZ0-A40ZA	STRIPE, R. (TYPE11) '99
7	80111-MZ0-A40ZB	STRIPE, R. (TYPE12) '99
7	80111-MZ0-A40ZC	STRIPE, R. (TYPE8) '99
7	80111-MZ0-A80ZA	STRIPE, R. (TYPE13) '00
7	80111-MZ0-A80ZB	STRIPE, R. (TYPE14) '00
8	80112-MZ0-670ZA	STRIPE, L. (TYPE1) '97
8	80112-MZ0-670ZB	STRIPE, L. (TYPE2) '97
8	80112-MZ0-670ZC	STRIPE, L. (TYPE3) '97
8	80112-MZ0-A00ZA	STRIPE, L. (TYPE6) '98
8	80112-MZ0-A00ZB	STRIPE, L. (TYPE7) '98
8	80112-MZ0-A00ZC	STRIPE, L. (TYPE8) '98
8	80112-MZ0-A40ZA	STRIPE, L. (TYPE11) '99
8	80112-MZ0-A40ZB	STRIPE, L. (TYPE12) '99
8	80112-MZ0-A40ZC	STRIPE, L. (TYPE8) '99
8	80112-MZ0-A80ZA	STRIPE, L. (TYPE13) '00
8	80112-MZ0-A80ZB	STRIPE, L. (TYPE14) '00
9	80113-MZ0-670ZA	STRIPE, R. (TYPE1) '97
9	80113-MZ0-670ZB	STRIPE, R. (TYPE2) '97
9	80113-MZ0-670ZC	STRIPE, R. (TYPE3) '97
9	80113-MZ0-A00ZB	STRIPE, R. (TYPE6) '98
9	80113-MZ0-A00ZC	STRIPE, R. (TYPE7) '98
9	80113-MZ0-A00ZD	STRIPE, R. (TYPE8) '98
9	80113-MZ0-A40ZA	STRIPE, R. (TYPE11) '99

Catalog Title:

GL1500C/CT '97 - '00 VALKYRIE/VALKYRIE TOURER

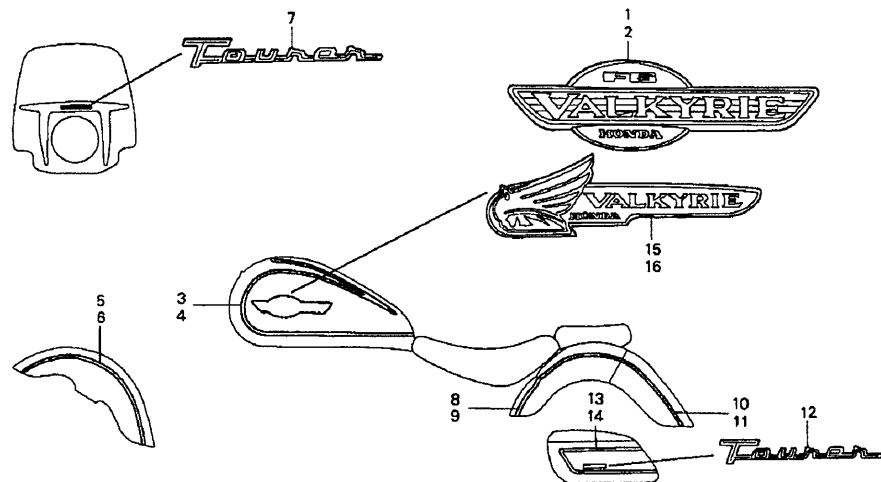
Color chart for stripe

Type	Main body color (Code)	Position		
		A	B	C
TYPE 1	American red (R191A)	Orange	American red	Pearl glacier white
TYPE 2	Pearl majestic purple (P17A)	Blue	Pearl majestic purple	Pearl glacier white
TYPE 3	Black (NH1Q)	Orange	Black	Pearl hot rod yellow
TYPE 4	Pearl sonoma green (G159Q)	Candy glory red-u	Pearl sonoma green	Pearl ivory cream
TYPE 6	Pearl sedona red (P223Q)	Orange	Pearl sedona red	Pearl ivory cream
TYPE 7	Pearl coronado blue (PB255Q))	Orange	Pearl coronado blue	Pearl ivory cream
TYPE 8	Blaze yellow (Y146Q)	Cinnamon beige metallic	Blaze yellow	Pearl ivory cream
TYPE 9	Black (NH1G))	Reddish silver metallic	Black	Pearl jade green

Catalog Title:  
**GL1500C/CT '97 - '00 VALKYRIE/VALKYRIE TOURER**

Block No.  
**F 4001**

Block Title:  
**STRIPE / MARK (GL1500CT) CT'97 CT'98 CT'99 CT'00**

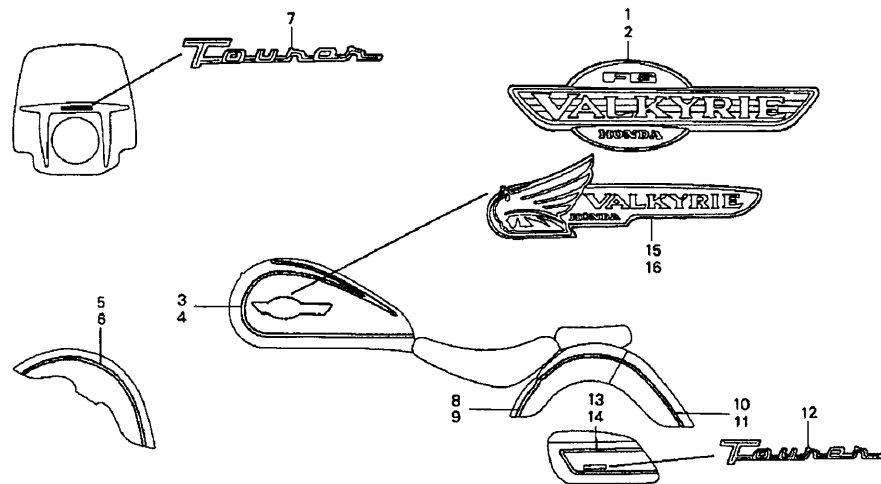


Ref. No.	Part No.	Description
1	17531-MZ0-670ZA	EMBLEM, R. (TYPE1) CT'97'98'99
2	17532-MZ0-670ZA	EMBLEM, L. (TYPE1) CT'97'98'99
3	17535-MZ0-670ZA	STRIPE, R. (TYPE1) CT'97
3	17535-MZ0-670ZD	STRIPE, R. (TYPE4) CT'97
3	17535-MZ0-A00ZA	STRIPE, R. (TYPE6) CT'98
3	17535-MZ0-A00ZD	STRIPE, R. (TYPE9) CT'98
3	17535-MZ0-A40ZA	STRIPE, R. (TYPE11) CT'99
3	17535-MZ0-A40ZD	STRIPE, R. (TYPE6) CT'99
3	17535-MZ0-A80ZA	STRIPE, R. (TYPE13) CT'00
4	17536-MZ0-670ZA	STRIPE, L. (TYPE1) CT'97
4	17536-MZ0-670ZD	STRIPE, L. (TYPE4) CT'97
4	17536-MZ0-A00ZA	STRIPE, L. (TYPE6) CT'98
4	17536-MZ0-A00ZD	STRIPE, L. (TYPE9) CT'98
4	17536-MZ0-A40ZA	STRIPE, L. (TYPE11) CT'99
4	17536-MZ0-A40ZD	STRIPE, L. (TYPE6) CT'99
4	17536-MZ0-A80ZA	STRIPE, L. (TYPE13) CT'00
5	61111-MZ0-670ZA	STRIPE, R. (TYPE1) CT'97
5	61111-MZ0-670ZD	STRIPE, R. (TYPE4) CT'97
5	61111-MZ0-A00ZA	STRIPE, R. (TYPE6) CT'98
5	61111-MZ0-A00ZD	STRIPE, R. (TYPE9) CT'98
5	61111-MZ0-A40ZA	STRIPE, R. (TYPE11) CT'99
5	61111-MZ0-A40ZD	STRIPE, R. (TYPE6) CT'99
5	61111-MZ0-A80ZA	STRIPE, R. (TYPE13) CT'00
6	61112-MZ0-670ZA	STRIPE, L. (TYPE1) CT'97
6	61112-MZ0-670ZD	STRIPE, L. (TYPE4) CT'97

Catalog Title:  
**GL1500C/CT '97 - '00 VALKYRIE/VALKYRIE TOURER**

Block No.  
**F 4001**

Block Title:  
**STRIPE / MARK (GL1500CT)**

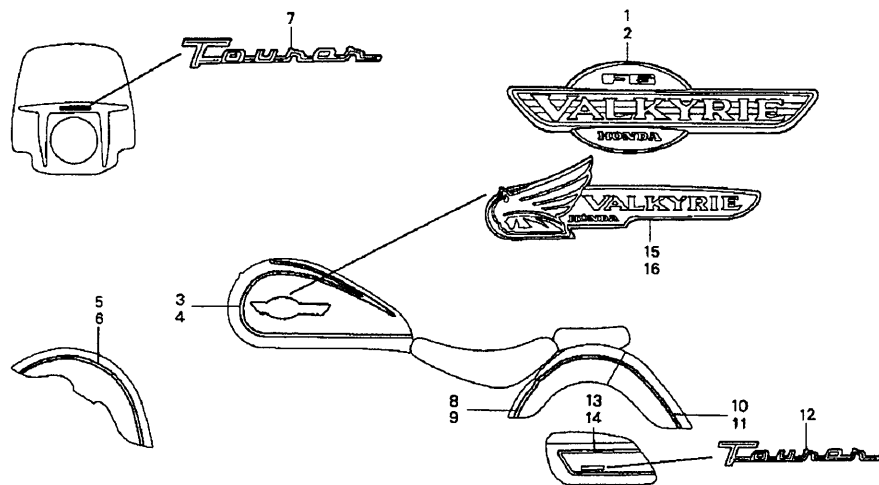


Ref. No.	Part No.	Description
6	61112-MZ0-A00ZA	STRIPE, L. (TYPE6) CT'98
6	61112-MZ0-A00ZD	STRIPE, L. (TYPE9) CT'98
6	61112-MZ0-A40ZA	STRIPE, L. (TYPE11) CT'99
6	61112-MZ0-A40ZD	STRIPE, L. (TYPE6) CT'99
6	61112-MZ0-A80ZA	STRIPE, L. (TYPE13) CT'00
7	64125-MZ0-A20	EMBLEM, GARNISH CT98/99/00
8	80111-MZ0-670ZA	STRIPE, R. (TYPE1) CT'97
8	80111-MZ0-670ZD	STRIPE, R. (TYPE4) CT'97
8	80111-MZ0-A00ZA	STRIPE, R. (TYPE6) CT'98
8	80111-MZ0-A00ZD	STRIPE, R. (TYPE9) CT'98
8	80111-MZ0-A40ZA	STRIPE, R. (TYPE11) CT'99
8	80111-MZ0-A40ZD	STRIPE, R. (TYPE6) CT'99
8	80111-MZ0-A80ZA	STRIPE, R. (TYPE13) CT'00
9	80112-MZ0-670ZA	STRIPE, L. (TYPE1) CT'97
9	80112-MZ0-670ZD	STRIPE, L. (TYPE4) CT'97
9	80112-MZ0-A00ZA	STRIPE, L. (TYPE6) CT'98
9	80112-MZ0-A00ZD	STRIPE, L. (TYPE9) CT'98
9	80112-MZ0-A40ZA	STRIPE, L. (TYPE11) CT'99
9	80112-MZ0-A40ZD	STRIPE, L. (TYPE6) CT'99
9	80112-MZ0-A80ZA	STRIPE, L. (TYPE13) CT'00
10	80113-MZ0-670ZA	STRIPE, R. (TYPE1) CT'97
10	80113-MZ0-670ZD	STRIPE, R. (TYPE4) CT'97
10	80113-MZ0-A00ZB	STRIPE, R. (TYPE6) CT'98
10	80113-MZ0-A00ZE	STRIPE, R. (TYPE9) CT'98
10	80113-MZ0-A40ZA	STRIPE, R. (TYPE11) CT'99

Catalog Title:  
**GL1500C/CT '97 - '00 VALKYRIE/VALKYRIE TOURER**

Block No.  
**F 4001**

Block Title:  
**STRIPE / MARK (GL1500CT)**



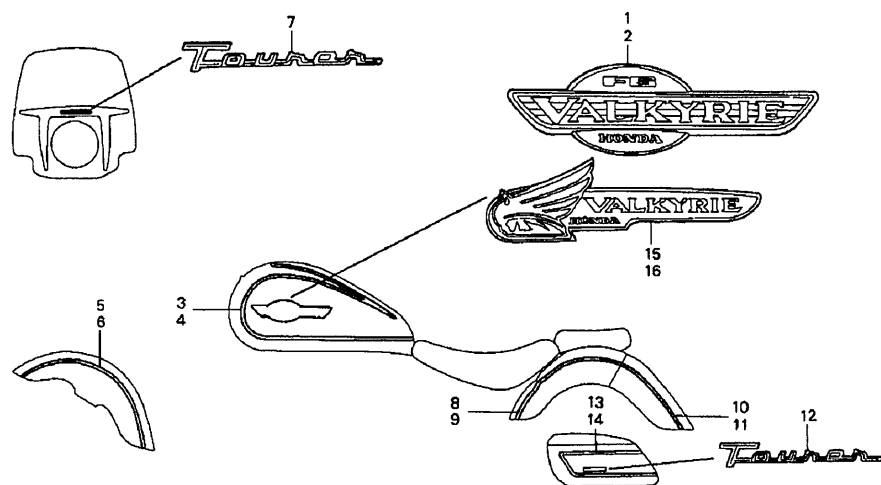
Ref. No.	Part No.	Description
10	80113-MZ0-A40ZD	STRIPE, R. (TYPE6) CT'99
10	80113-MZ0-A80ZA	STRIPE, R. (TYPE13) CT'00
11	80114-MZ0-670ZA	STRIPE, L. (TYPE1) CT'97
11	80114-MZ0-670ZD	STRIPE, L. (TYPE4) CT'97
11	80114-MZ0-A00ZA	STRIPE, L. (TYPE6) CT'98
11	80114-MZ0-A00ZD	STRIPE, L. (TYPE9) CT'98
11	80114-MZ0-A40ZA	STRIPE, L. (TYPE11) CT'99
11	80114-MZ0-A40ZD	STRIPE, L. (TYPE6) CT'99
11	80114-MZ0-A80ZA	STRIPE, L. (TYPE13) CT'00
12	81226-MZ0-700	EMBLEM, SADDLEBAG CT'97 CT'98
12	81226-MZ0-A60	EMBLEM, SADDLEBAG CT'99 CT'00
13	87117-MZ0-700ZA	STRIPE A, R. (TYPE1) CT'97
13	87117-MZ0-700ZC	STRIPE A, R. (TYPE4) CT'97
13	87117-MZ0-A20ZA	STRIPE, R. (TYPE6) CT'98
13	87117-MZ0-A20ZB	STRIPE, R. (TYPE9) CT'98
13	87117-MZ0-A60ZA	STRIPE, R. (TYPE11) CT'99
13	87117-MZ0-A60ZB	STRIPE, R. (TYPE6) CT'99
13	87117-MZ0-A90ZA	STRIPE, R. (TYPE13) CT'00
14	87118-MZ0-700ZA	STRIPE A, L. (TYPE1) CT'97
14	87118-MZ0-700ZC	STRIPE A, L. (TYPE4) CT'97
14	87118-MZ0-A20ZB	STRIPE, L. (TYPE9) CT'98
14	87118-MZ0-A20ZA	STRIPE, L. (TYPE6) CT'98 CT'99
14	87118-MZ0-A60ZA	STRIPE, L. (TYPE11) CT'99
14	87118-MZ0-A60ZB	STRIPE, L. (TYPE6) CT'99
14	87118-MZ0-A90ZA	STRIPE, L. (TYPE13) CT'00

Catalog Title:  
**GL1500C/CT '97 - '00 VALKYRIE/VALKYRIE TOURER**

Block No.  
**F 4001**

Block Title:  
**STRIPE / MARK (GL1500CT)**

Ref. No.	Part No.	Description
15	17531-MZ0-A80	EMBLEM, R. FUEL TANK CT'00
16	17532-MZ0-A80	EMBLEM, L. FUEL TANK CT'00



**GL1500C/CT '97 - '00 VALKYRIE/VALKYRIE TOURER**

Color chart for stripe

Type	Main body color (Code)	Position		
		A	B	C
TYPE 1	American red (R191A)	Orange	American red	Pearl glacier white
TYPE 2	Pearl majestic purple (P17A)	Blue	Pearl majestic purple	Pearl glacier white
TYPE 3	Black (NH1Q)	Orange	Black	Pearl hot rod yellow
TYPE 4	Pearl sonoma green (G159Q)	Candy glory red-u	Pearl sonoma green	Pearl ivory cream
TYPE 6	Pearl sedona red (P223Q)	Orange	Pearl sedona red	Pearl ivory cream
TYPE 7	Pearl coronado blue (PB255Q))	Orange	Pearl coronado blue	Pearl ivory cream
TYPE 8	Blaze yellow (Y146Q)	Cinnamon beige metallic	Blaze yellow	Pearl ivory cream
TYPE 9	Black (NH1G))	Reddish silver metallic	Black	Pearl jade green